



VBC 40x150



LBC 32x100



VDC 63x125



VAC 63x125-50

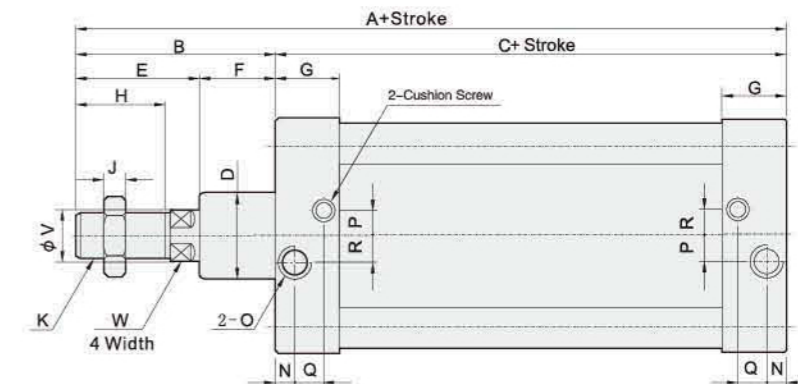
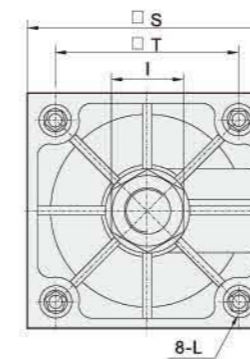
Specifications

Bore Size(mm)	32	40	50	63	80	100	125	160	200
Acting type	Double Acting								
Working medium	Clean Air (40 μ filtration)								
Mounting type	VFA VFB VCA VCB VCR VLB VTC VTC-M								
Rod end fitting type	VY VI VF VB								
Range of working pressure (Bar)	1-9.0								
Guaranteed pressure (Bar)	13.5								
Working temperature (°C)	-5 ~ 70								
Speed range (mm/s)	50-800								
Cushion type	Adjustable Cushion								
Cushion stroke (mm)	24				32				
Port Size	G1/8	G1/4	G3/8		G1/2		G3/4		

Product Features

- * V series cylinders are provided with adjustable cushion on both cylinder end covers to make sure the cylinder works very smoothly, safely and with low noise.
- * With self lubricating bearing, the piston rod is lubrication free.
- * Magnet and sufficient Fixing styles are available.

Main dimensions



Bore/Sign	A	B	C	D	E	F	G	H	I	J	K	L
32	140	47	93	30	30	18	27.5	22	17	6	M10x1.25	M6
40	142	49	93	35	34	20	32	24	19	7	M12x1.25	M6
50	150	57	93	40	42	27	31	32	24	8	M16x1.5	M8
63	153	57	96	45	40	29	33	32	24	8	M16x1.5	M8
80	183	75	125	45	53	33	33	40	30	10	M20x1.5	M10
100	189	75	114	47	54	21	33	40	26	10	M20x1.5	M10
125	279	119	160	60	74	45	46	54	41	13.5	M27x2	M12
160	332	152	180	65	94	58	50	72	55	18	M36x2	M16
200	347	167	180	75	100	57	50	72	55	18	M36x2	M16

Bore/Sign	N	O	P	Q	R	S	T	V	W
32	13.5	G 1/8	4	7.5	7	47	32.5	12	10
40	16	G 1/4	6	9.5	9	53	38	16	13
50	18.5	G 1/4	8.5	6.7	9	65	46.5	20	17
63	19	G 3/8	6	7.7	9	75	56.5	20	17
80	19	G 3/8	10	5	13.5	95	72	25	22
100	16.5	G 1/2	11	9.5	14	112	84	25	22
125	23	G 1/2	14	12	14	140	110	32	27
160	25	G 3/4	15	12	20	180	140	40	36
200	25	G 3/4	15	12	20	220	175	40	36

* The dimension of the model with magnet is the same with the model without magnet

How to Order?

V -- B C -- 50x50 -- S --

B: Standard cylinder
D: Double-shaft type
A: Double-shaft, adjustable stroke type
S: Swivelling type

Bore x Stroke: 32-200mm, 0-3000mm

Blank: No magnet
S: With Magnet

Mounting type:
Blank: Basic type
VLB: Leg Mounting
VFA/FB: Front Rear Plate Mounting
VCA: Single Trunnion Mounting
VCB: Double Trunnion Mounting
VTC: Centre Trunnion Mounting
VTC-M: Centre Trunnion with Mounting
VCR: Double Trunnion with Hinge Mounting

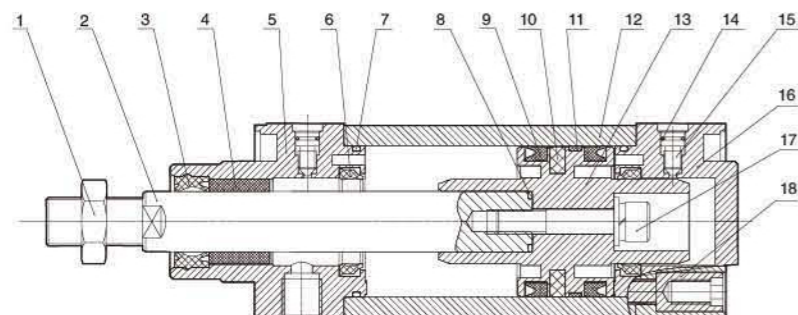
Rod end fitting type:
Blank: Basic type
VY: Y fitting
VI: I fitting
VF: Floating fitting
VB: Bearing fitting

According to ISO6431 Standard
V: Mickey Mouse type
L: Tie-Rod type

Order example:

- * V series Mickey mouse type, Double-shaft with adjustable stroke 20mm, 50mm bore, 100mm stroke, Model: VAC 50X100-20
- * L series Tie-rod type, Standard Type, 32mm bore, 50mm stroke, with magnet, Model: LBC 32X50-S

Internal structure



NO	Designation	NO	Designation
1	Piston Rod Nut	2	Piston Rod
3	Head Cap Seal	4	Bearing
5	Head Cap	6	Cushion O-ring
7	O-Ring	8	Piston rod O-ring
9	Piston O-Ring	10	Magnet (Optional)
11	Wear Ring	12	Barrel
13	Piston	14	Cushion Seal
15	Cushion Needle	16	Rear End Cap
17	Screw	18	Bolt