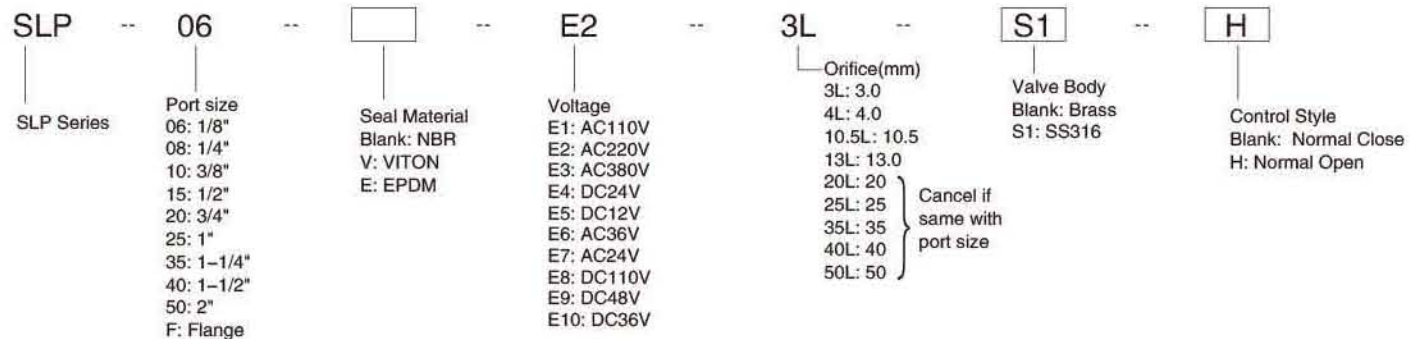


## How to Order?



### Order example:

\* SLP series, 2 position, 2 port, AC110V, 1/8" port size, Orifice: 3mm, Brass, Normal Close, NBR Seal, Model: SLP06E1-3L

\* SLP series, 2 position, 2 port, AC220V, 3/8" port size, Orifice: 13mm, SS316, Normal Open, VITON Seal, Model: SLP10VE2-13LS1H

## SLP Series 2/2 Solenoid Valve (Normal Close)



SLP



SLP-S1

Port Size	Orifice (mm)	CV Value	Pressure Difference ( Bar )				Max. Temperature (°C)	Power		Model	
			Min. Pressure	Max. Working Pressure				AC 220	DC 24V	220VAC	50/60Hz
				Air, Gas	Water, Hot Water, Liquid	Light Oil ≤20CSTT					
1/8"	3	0.23	0	13	13	10	80	22	13	SLP06E2-3L	SLP06E2-3LS1
	3	0.23	0	13	13	-	130	22	13	SLP06EE2-3L	SLP06EE2-3LS1
	3	0.23	0	13	13	10	120	22	13	SLP06VE2-3L	SLP06VE2-3LS1
1/4"	3	0.23	0	13	13	10	80	22	13	SLP08E2-3L	SLP08E2-3LS1
	3	0.23	0	13	13	-	130	22	13	SLP08EE2-3L	SLP08EE2-3LS1
	3	0.23	0	13	13	10	120	22	13	SLP08VE2-3L	SLP08VE2-3LS1
	10.5	1.47	0	16	16	13	80	22	13	SLP08E2-10.5L	---
	10.5	1.47	0	16	16	-	130	22	13	SLP08EE2-10.5L	---
	10.5	1.47	0	16	16	13	120	22	13	SLP08VE2-10.5L	---

Port Size	Orifice (mm)	CV Value	Min. Pressure	Pressure Difference ( Bar )			Max. Temperature (°C)	Power		Model	
				Max. Working Pressure				AC 220	DC 24V	220VAC	50/60Hz
				Air, Gas	Water, Hot Water, Liquid	Light Oil ≤20CSTT					
3/8"	3	0.3	0	13	13	10	80	22	13	SLP10E2-3L	SLP10E2-3LS1
	3	0.3	0	13	13	10	130	22	13	SLP10EE2-3L	SLP10EE2-3LS1
	3	0.3	0	13	13	10	120	22	13	SLP10VE2-3L	SLP10VE2-3LS1
	4	0.6	0	8	8	6	80	22	13	SLP10E2-4L	SLP10E2-4LS1
	4	0.6	0	8	8	6	130	22	13	SLP10EE2-4L	SLP10EE2-4LS1
	4	0.6	0	8	8	6	120	22	13	SLP10VE2-4L	SLP10VE2-4LS1
	10.5	1.68	0	16	16	13	80	22	13	SLP10E2-10.5L	---
	10.5	1.68	0	16	16	-	130	22	13	SLP10EE2-10.5L	---
	10.5	1.68	0	16	16	13	120	22	13	SLP10VE2-10.5L	---
	13	4.5	0.5	16	16	13	80	22	13	SLP10E2-13L	SLP10E2-13LS1
13	4.5	0.5	16	16	-	130	22	13	SLP10EE2-13L	SLP10EE2-13LS1	
13	4.5	0.5	16	16	13	120	22	13	SLP10VE2-13L	SLP10VE2-13LS1	
1/2"	10.5	1.75	0	16	16	13	80	22	13	SLP15E2-10.5L	---
	10.5	1.75	0	16	16	-	130	22	13	SLP15EE2-10.5L	---
	10.5	1.75	0	16	16	13	120	22	13	SLP15VE2-10.5L	---
	13	4.5	0.5	16	16	13	80	22	13	SLP15E2-13L	SLP15E2-13LS1
	13	4.5	0.5	16	16	-	130	22	13	SLP15EE2-13L	SLP15E2-13LS1
3/4"	20	7.6	0.5	16	16	13	80	22	13	SLP-20E2	SLP-20E2S1
	20	7.6	0.5	16	16	-	130	22	13	SLP-20EE2	SLP-20EE2S1
	20	7.6	0.5	16	16	13	120	22	13	SLP-20VE2	SLP-20VE2S1
1"	25	12	0.5	16	16	13	80	22	13	SLP-25E2	SLP-25E2S1
	25	12	0.5	16	16	-	130	22	13	SLP-25EE2	SLP-25EE2S1
	25	12	0.5	16	16	13	120	22	13	SLP-25VE2	SLP-25VE2S1
1-1/4"	35	22	0.5	16	16	13	80	22	13	SLP-35E2	SLP-35E2S1
	35	22	0.5	16	16	-	130	22	13	SLP-35EE2	SLP-35EE2S1
	35	22	0.5	16	16	13	120	22	13	SLP-35VE2	SLP-35VE2S1
1-1/2"	40	30	0.5	16	16	13	80	22	13	SLP-40E2	SLP-40E2S1
	40	30	0.5	16	16	-	130	22	13	SLP-40EE2	SLP-40EE2S1
	40	30	0.5	16	16	13	120	22	13	SLP-40VE2	SLP-40VE2S1
2"	50	48	0.5	16	16	13	80	22	13	SLP-50E2	SLP-50E2S1
	50	48	0.5	16	16	-	130	22	13	SLP-50EE2	SLP-50EE2S1
	50	48	0.5	16	16	13	120	22	13	SLP-50VE2	SLP-50VE2S1
Flange 4 Port	25	12	0.5	16	16	13	80	22	13	-	SLPFEE2-25LS1
	25	12	0.5	16	16	-	130	22	13	-	SLPFEE2-25LS1
	25	12	0.5	16	16	13	120	22	13	-	SLPFVE2-25LS1
Flange 4 Port	35	22	0.5	16	16	13	80	22	13	-	SLPFEE2-35LS1
	35	22	0.5	16	16	-	130	22	13	-	SLPFEE2-35LS1
	35	22	0.5	16	16	13	120	22	13	-	SLPFVE2-35LS1
Flange 4 Port	40	30	0.5	16	16	13	80	22	13	-	SLPFEE2-40LS1
	40	30	0.5	16	16	-	130	22	13	-	SLPFEE2-40LS1
	40	30	0.5	16	16	13	120	22	13	-	SLPFVE2-40LS1
Flange 4 Port	50	48	0.5	16	16	13	80	22	13	-	SLPFEE2-50LS1
	50	48	0.5	16	16	-	130	22	13	-	SLPFEE2-50LS1
	50	48	0.5	16	16	13	120	22	13	-	SLPFVE2-50LS1