

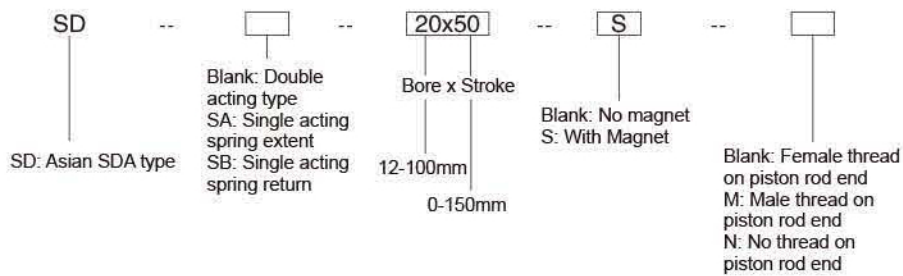


SD 20x15-N



SD 50x10

How to Order?



Order example:

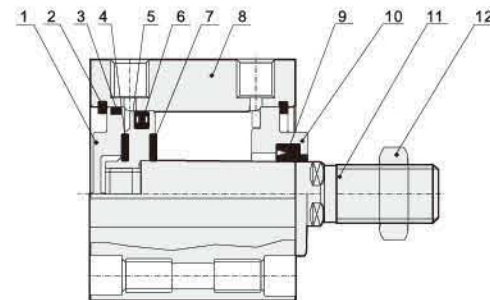
\* SD type compact cylinder, basic type, 40mm bore, 75mm storke, female thread on piston rod end, Modle: SD 40x75

\* SD type compact cylinder, single acting spring extent type, 12mm bore, 30mm stroke, with magnet, male thread on piston rod end, Modle: SDSA 12x30-SM

Specifications

Bore Size(mm)	12	16	20	25	32	40	50	63	80	100
Acting type	Double Acting									
	Single acting: With spring return / With spring extent									
Working medium	Clean air (25 μ filtration)									
Working pressure(Bar)	Double acting	1-9								
	Single acting	2-9								-
Max. working pressure (Bar)	13.5									
Working temperature (°C)	-5~70									
Speed range (mm/s)	Double acting	30-500			30-350			30-250		
	Single acting	100-500								
Cushion type	Fixed cushion									
Port Size (mm)	M5x0.8		G 1/8		G 1/4		G 3/8			

Internal structure

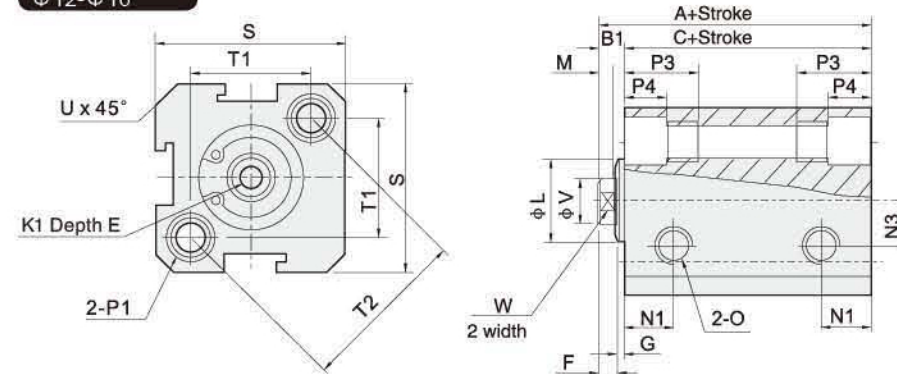


No	Designation
1	Back End Cap
2	C Type Buckle
3	O-Ring / Head
4	Anti-bump Cushion
5	Piston
6	O-Ring / Piston Seal
7	Anti-bump cushion
8	Barrel
9	Head Cap Seal
10	Head Cap
11	Piston Rod
12	Piston Rod Nut

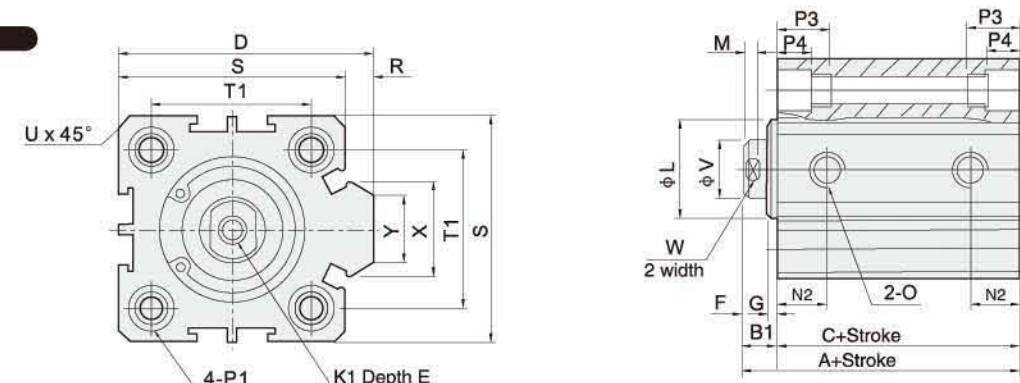
Main dimensions

SD, SD-S

Φ 12-Φ 16



Φ 20-Φ 100



Product Features

- \* Compact body and light-weighted
- \* Suitable slot on the cylinder barrel to make it easy for magnetic sensor to fit on
- \* With self-lubricating bearing, the piston rod is lubrication free.
- \* Magnet is optional.

Model	Standard			With Magnet Type			D	E	F	G	K1	L	M	N1		N2		N3
	A	B1	C	A	B1	C								S=5	S>5	S=5	S>5	
12	22	5	17	32	5	27	-	6	4	1	M3x0.5	10.2	2.8	6.3	6.3	-	-	6
16	24	5.5	18.5	34	5.5	28.5	-	6	4	1.5	M3x0.5	11	2.8	7.3	7.3	-	-	6.5
20	25	5.5	19.5	35	5.5	29.5	36	8	4	1.5	M4x0.7	15	2.8	7.5	7.5	-	-	-
25	27	-	21	37	6	31	42	10	4	2	M5x0.8	17	2.8	8	8	-	-	-
32	31.5	7	24.5	41.5	7	34.5	50	12	4	3	M6x1	22	2.8	9	9	-	-	-
40	33	7	26	43	7	36	58.5	12	4	3	M8x1.25	28	2.8	10	10	-	-	-
50	37	9	28	47	9	38	71.5	15	5	4	M10x1.5	38	2.8	10.5	10.5	-	-	-
63	41	9	32	51	9	42	84.5	15	5	4	M10x1.5	40	2.8	9.5	12	9.5	11	-
80	52	11	41	62	11	51	104	20	6	5	M14x1.5	45	4	11.5	14.5	11.5	14.5	-
100	63	12	51	73	12	61	124	20	7	5	M18x1.5	55	4	16	20.5	16	20.5	-

Bore\Sign	O	P1	P3	P4	R	S	T1	T2	U	V	W	X	Y
12	M5X0.8	Double side: Φ 6.5/Thread M5x0.8/Through Hole: Φ 4.2	12	4.5	-	25	16.2	23	1.6	6	5	-	-
16	M5X0.8	Double side: Φ 6.5/Thread M5x0.8/Through Hole: Φ 4.2	12	4.5	-	29	19.8	28	1.6	6	5	-	-
20	M5X0.8	Double side: Φ 6.5/Thread M5x0.8/Through Hole: Φ 4.2	14	4.5	2	34	24	-	2.1	8	6	11.3	10
25	M5X0.8	Double side: Φ 8.2/Thread M6x10/Through Hole: Φ 4.6	15	5.5	2	40	28	-	3.1	10	8	12	10
32	G 1/8	Double side: Φ 8.2/Thread M6x10/Through Hole: Φ 4.6	16	5.5	6	44	34	-	2.15	12	10	18.3	15
40	G 1/8	Double side: Φ 10/Thread M8x1.25/Through Hole: Φ 6.5	20	7.5	6.5	52	40	-	2.25	16	14	21.3	16
50	G 1/4	Double side: Φ 11/Thread M8x1.25/Through Hole: Φ 6.5	25	8.5	9.5	62	48	-	4.15	20	17	30	20
63	G 1/4	Double side: Φ 11/Thread M8x1.25/Through Hole: Φ 6.5	25	8.5	9.5	75	60	-	3.15	20	17	28.7	20
80	G 3/8	Double side: Φ 14/Thread M12x1.75/Through Hole: Φ 9.2	25	10.5	10	94	74	-	3.65	25	22	36	26
100	G 3/8	Double side: Φ 17.5/Thread M14x2/Through Hole: Φ 11.3	30	13	10	114	90	-	3.65	32	27	35	26