



FVBC 63x100

FXBC 32x100

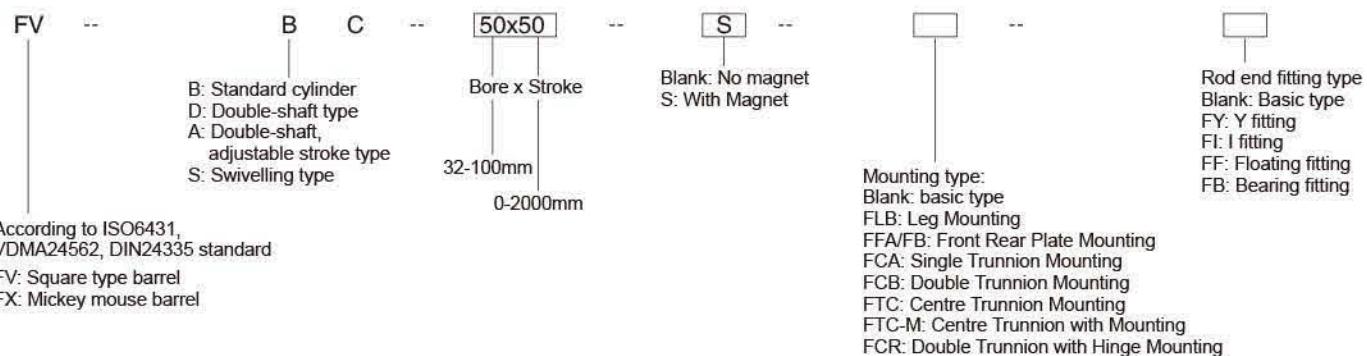
Specifications

Bore Size(mm)	32	40	50	63	80	100
Acting type	Double Acting					
Working medium	Clean Air (40 μ filtration)					
Mounting type	FVA FFB FCA FCB FLB FTC FTC-M FCR					
Rod end fitting Type	FY FI FF FB					
Range of working pressure (Bar)	1-9.0					
Guaranteed pressure (Bar)	13.5					
Working temperature (°C)	-5 ~ 70					
Speed range (mm/s)	50-800					
Cushion type	Adjustable Cushion					
Cushion stroke (mm)	24			32		
Port Size	G 1/8	G 1/4	G 3/8	G 1/2		

Product Features

- * FV series are with similar Festo DNC appearance, with slot on the cylinder barrel and end covers for magnet sensor mounting more conveniently.
- * FX series are with Festo style end cover and mickey mouse barrel to be cost effective.
- * Adjustable cushion on both cylinder end covers to make sure the cylinder works very smoothly safely and with low noise.
- * With self lubricating bearing, the piston rod is lubrication free.
- * Magnet and sufficient Fixing styles are available.

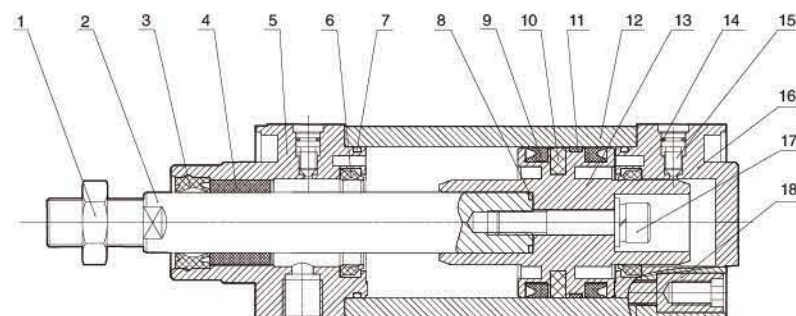
How to Order?



Order example:

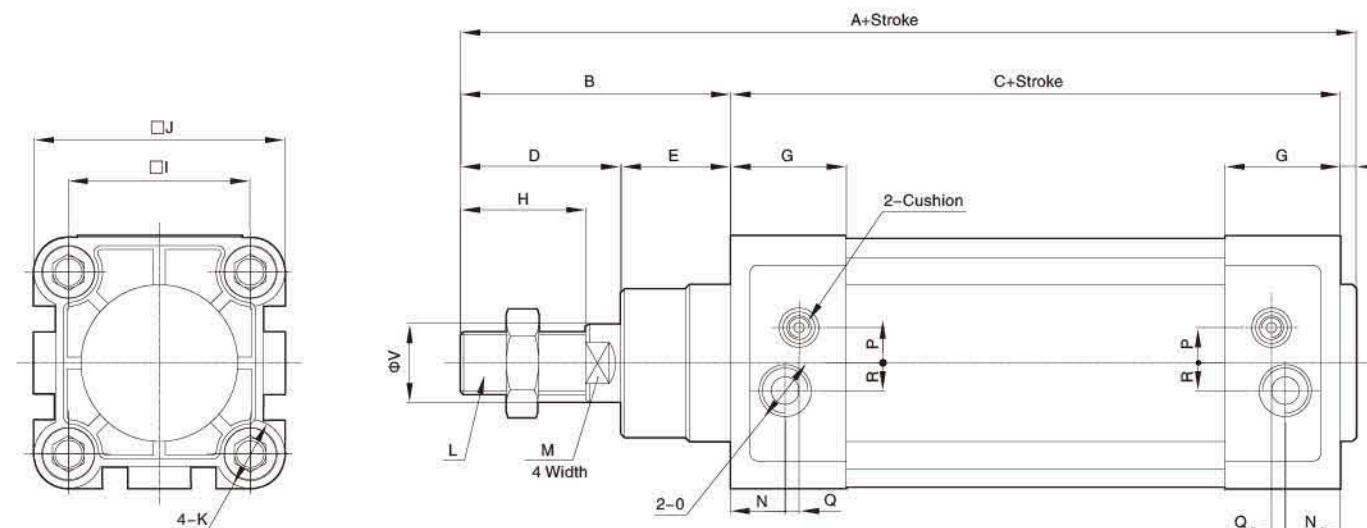
- * FV series Square type, Standard Type, 32mm bore, 50mm stroke, with magnet, Model: FVBC 32x50-S
- * FX series Mickey mouse type, Standard Type, 63mm bore, 150mm stroke, Model: FXBC 63x150

Internal structure



NO	Designation	NO	Designation
1	Piston Rod Nut	2	Piston Rod
3	Head Cap Seal	4	Bearing
5	Head Cap	6	Cushion O-ring
7	O-Ring	8	Piston rod O-ring
9	Piston O-Ring	10	Magnet (Optional)
11	Wear Ring	12	Barrel
13	Piston	14	Cushion Seal
15	Cushion Needle	16	Rear End Cap
17	Screw	18	Profile Bolt

Main dimensions



Bore/Sign	A	B	C	D	E	F	G	H	I	J	K	L
32	146	48	94	30	18	4	25.1	22	32.5	45	M6	M10X1.25
40	163	54	105	32.5	21.5	4	29.6	24	38	54	M6	M12X1.25
50	179	69	106	41	28	4	29.6	32	46.5	64	M8	M16X1.5
63	194	69	121	40.5	28.5	4	36.6	32	56.5	75	M8	M16X1.5
80	218	106	104	71.3	34.7	4	35.9	40	72	93	M10	M20X1.5
100	233	91	138	52.8	38.2	4	38.8	40	89	110	M10	M20X1.5

Bore/Sign	N	O	P	Q	R	V	M
32	15.6	G1/8	7	3	6	12	5
40	14	G1/4	7	9.6	4.5	16	5.5
50	14	G1/4	9	3.5	7	20	6
63	17	G3/8	9.7	6.6	8.3	20	5.5
80	16.4	G3/8	12.1	10.5	8.3	25	6
100	18.8	G1/2	12.1	8	8.3	25	6

* The dimension of the model with magnet is the same with the model without magnet