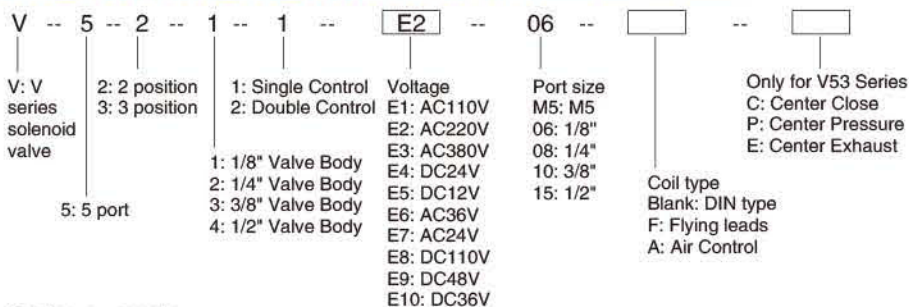


## How to Order?



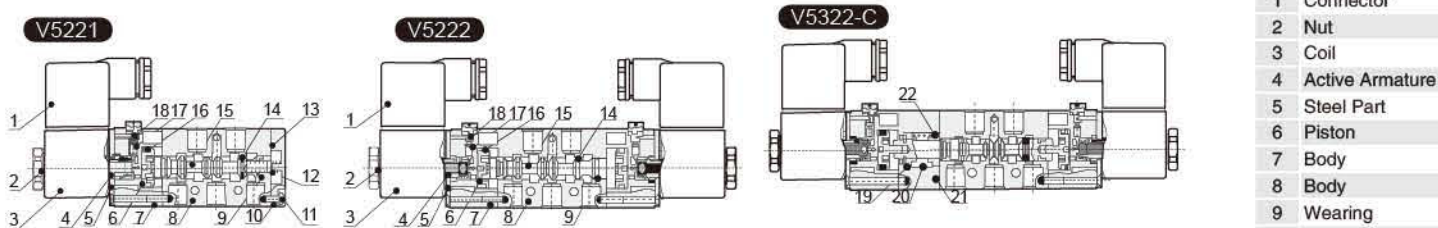
### Order example:

- \* V series, 5 port, 2 position, single control, 1/8" valve body, AC110V, 1/8" port size, DIN coil, Model: V5211E1-06
- \* V series, 5 port, 2 position, double control, 1/8" valve body, AC220V, 1/8" port size, flying Leads coil, Model: V5212E2-06F
- \* V series, 5 port, 3 position, double control, 1/8" valve body, DC24V, 1/8" port size, DIN coil, center close, Model: V5312E4-06C

## Product Features

- \* Stable life cycle, guaranteed 12,000,000 times
- \* Various voltages and working styles are available
- \* Different surface treatment, thread type(BSP, PT, NPT) are available
- \* Working Pressure: 1.5-8Bar
- \* Working Temperature: -5~60°C

## Internal structure



No	Designation
1	Connector
2	Nut
3	Coil
4	Active Armature
5	Steel Part
6	Piston
7	Body
8	Body
9	Wearing
10	End Cap
11	Screw
12	Spring
13	Seal
14	O-Ring
15	Spool
16	O-Ring
17	Spring
18	Pin
19	Spring Seat
20	Spring
21	Side Cover
22	Spring Seat

## Main Parts Material

Model	V5221	V5222	V5322	Model	V5221	V5222	V5322
Body		Aluminum		Steel Part		Steel	
Spool		Aluminum		Nut		Middle Steel	
Manual Pin O-Ring		NBR		Manual Pin		Brass	
Connector Washer		NBR		End Cap	Zinc Alloy	-	
O-Ring		NBR		Manual Pin Spring		Stainless Steel	
End Cover Seal	NBR		-	Spool Spring		Stainless Steel	
Guider O-Ring		NBR		Guide Seat		PBT+PBT+Fiber Glass	
Connector		Plastic		Screw		Steel	
End Cover	-		Brass	Coil Cover		Heat Resistance Colophong	
Side Cover	-		Aluminum	Seat		Aluminum	
End Cover Spring	-		Stainless Steel	Piston		POM	
End Cover Spring Seat	-		Brass	Active Armature		Pure Iron	

## 5 Port 3 Position Valve

Model:

V5312-M5C  
 V5312-06C  
 V5312-M5P  
 V5312-06P  
 V5312-M5E  
 V5312-06E

Model:

V5322-06C V5322-06P V5322-06E  
 V5322-08C V5322-08P V5322-08E  
 V5332-08C V5332-08P V5332-08E  
 V5332-10C V5332-10P V5332-10E

Model:

V5342-10C  
 V5342-10P  
 V5342-10E  
 V5342-15C  
 V5342-15P  
 V5342-15E

Model:

V5322-06AC V5322-06AP V5322-06AE  
 V5322-08AC V5322-08AP V5322-08AE  
 V5332-08AC V5332-08AP V5332-08AE  
 V5332-10AC V5332-10AP V5332-10AE

Model:

V5342-10AC  
 V5342-10AP  
 V5342-10AE  
 V5342-15AC  
 V5342-15AP  
 V5342-15AE

Manifold

V52-NF(N=1,2,3.....14)