

## M18 SENSORS WITH DISCRETE OR ANALOGUE OUTPUT



- *High precision and switching frequency*
- *Colour independence and transparent object detection*
- *Easy Teach-in setting and 2 bi-coloured signalling LEDs*
- *Models with digital NPN - PNP and 0 - 10 V or 4- 20 mA analogue outputs*

## US18 SERIES

The range of measurement and inspection devices is enriched thanks to the introduction of new ultrasonic M18x1 ABS tubular sensors of the **US18** series.

Models with axial or radial acoustic emission and with discrete bipolar output (1 NPN and 1 PNP) or with 4-20 mA or 0-10 V analogue output are available.

The extremely reduced blind zone and the unequalled 5 ms response speed are only two of the many features that are worth highlighting.

The sensors are easily configured through the Teach-in function, while the operating status is visibly signalled by 2 bi-coloured LEDs.

The temperature compensation function corrects the sound speed changes due to temperature variations, so the sensor precision remains unchanged in all situations and a 0.5 mm resolution is guaranteed.

The electrical connection is accomplished through standard M12 5-pole connectors.

The new **US18** ultrasonic sensors detect all objects independent from the non sound-absorbent material, reflectivity, transparency and colour, thus perfectly suiting applications in the automotive, packaging, machine tool fields and material transformation processes.

# ULTRASONIC SENSORS

(495) 221-58-89 <http://www.newic.ru> <http://www.insensor.ru>

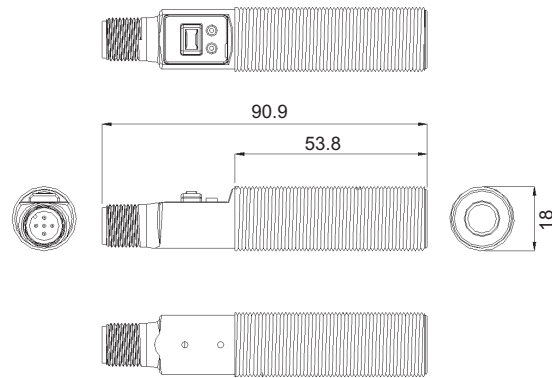
Models with discrete output are excellent foreground and/or background suppressors. The Teach-in procedure allows to fix a switching window with 10 mm width and to detect minimum and maximum values.

The models with analogue output are conceived as distance sensors: the analogue output can be scaled on windows of any width inside the operating range, or positioned at the centre of a detection window with a fixed width of 100 mm.

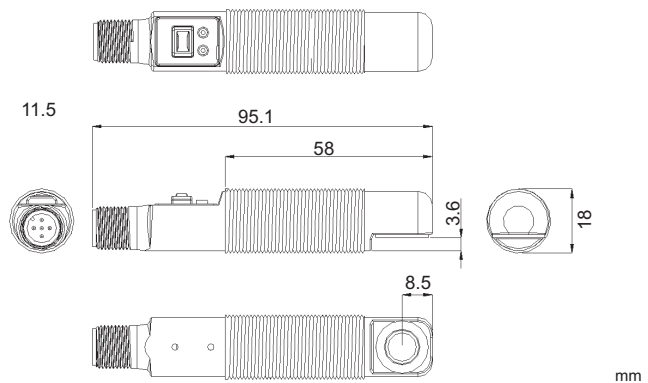


## DIMENSIONS

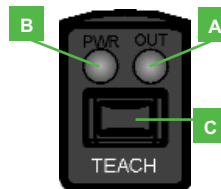
### AXIAL VERSIONS



### RADIAL VERSIONS



## INDICATORS AND SETTINGS



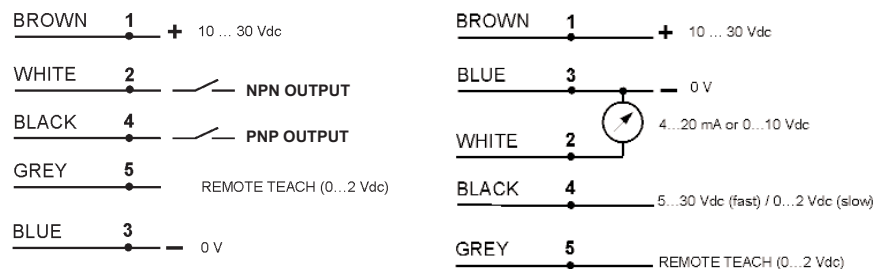
- A** Output status LED
- B** Power / signal intensity LED
- C** Teach-in push-button

## ACCESSORIES

For dedicated accessories refer to the **ACCESSORIES** section of this catalogue.

Refer also to **Connectors (A.03)** and **Fixing Brackets (A.04)** of the **General Catalogue**.

## CONNECTIONS





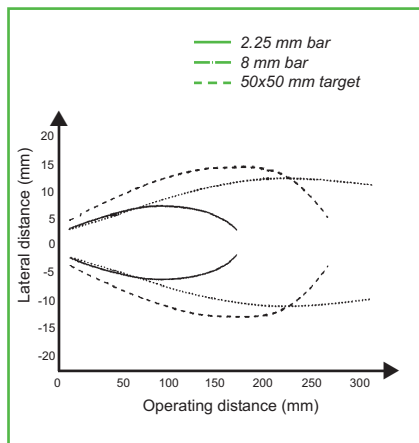
### TECHNICAL DATA

	Models with discrete output	Models with analogue output
<b>Operating distance (typical values):</b>	30 ... 300 mm	
<b>Power supply:</b>	10 ... 30 Vdc (limit values), polarity inversion protection	
<b>Ripple:</b>	≤ 2 Vpp	
<b>Consumption:</b>	65 mA max., 40 mA typical at 25 Vdc	
<b>Output type:</b>	NPN and PNP	0...10 Vdc or 4...20 mA
<b>Output current:</b>	100 mA max., short-circuit protection	
<b>Saturation voltage:</b>	PNP < 1.2 V at 10 mA, < 1.6 V at 100 mA NPN < 200 mV at 10 mA, < 600 mV at 100 mA	
<b>Load resistance:</b>		voltage output: 2.5 kΩ min. current output: 1 kΩ max.
<b>Response time:</b>	5 ms	2.5 ms (black wire at 0-2 Vdc or unconnected) 30 ms (black wire at 5-30 Vdc)
<b>Switching frequency:</b>	100 Hz	200 Hz (black wire at 0-2 Vdc or unconnected) 16 Hz (black wire at 5-30 Vdc)
<b>Delay at powering:</b>	300 ms	
<b>Indicators:</b>	yellow-green bi-coloured OUTPUT LED red POWER LED	
<b>Setting:</b>	Teach-in or remote input	
<b>Ultrasonic emission frequency:</b>	300 KHz, repeated each 2.5 ms	
<b>Temperature drift:</b>	minor than 1.7 % at detection distance	
<b>Repeatability:</b>	0.5 mm	
<b>Minimum detection window:</b>	5 mm	
<b>Hysteresis:</b>	0.7 mm	
<b>Resolution *:</b>	±1 mm with 2.5 ms response time ±0.5 mm with 30 ms response time	
<b>Minimum detection window dimension:</b>	5 mm	
<b>Operating temperature:</b>	-25 ... 55 °C	
<b>Storage temperature:</b>	-25 ... 70 °C	
<b>Electrical protection:</b>	Class 2	
<b>Housing material:</b>	Polyester	
<b>Mechanical housing:</b>	IP67	
<b>Connections:</b>	M12 5-pole connector	
<b>Weight:</b>	25 g	
<b>Standard reference:</b>	EN 60068-2-6, EN 60068-2-27	

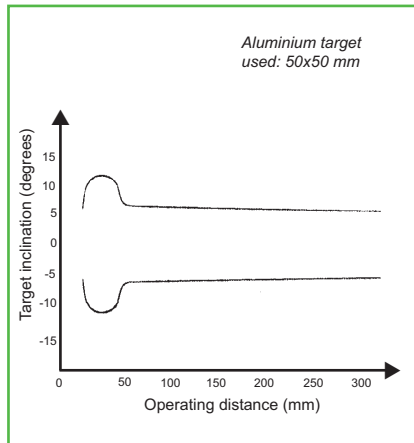
\* with 50x50 mm aluminium target at 22°C and constant operating conditions



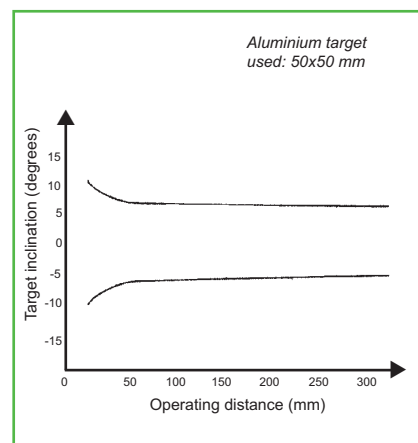
### DETECTION DIAGRAMS



Beam - distance variation (typical values)



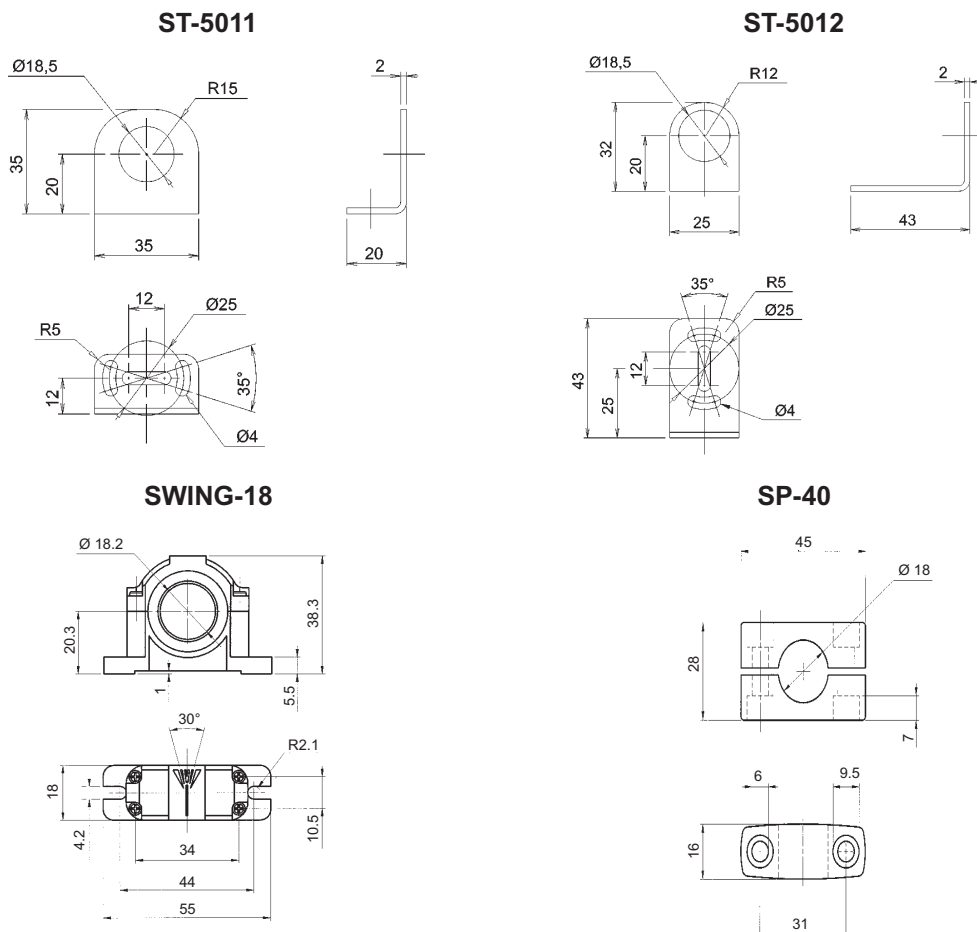
Maximum target inclination (models with discrete output)



Maximum target inclination (models with analogue output)

**MODEL SELECTION TABLE**

MODEL	HOUSING TYPE	OUTPUT	ORDER N°
US18-PA-5-N03-OH	axial	NPN and PNP	95B040000
US18-PR-5-N03-OH	radial	NPN and PNP	95B040010
US18-PA-5-N03-IH	axial	4-20 mA analogue	95B040020
US18-PR-5-N03-IH	radial	4-20 mA analogue	95B040030
US18-PA-5-N03-VH	axial	0-10 V analogue	95B040040
US18-PR-5-N03-VH	radial	0- 10 V analogue	95B040050

**ACCESSORIES****DIMENSIONS****ACCESSORY SELECTION TABLE**

MODEL	DESCRIPTION	ORDER N°
ST-5011	M18 fixing bracket	95ACC5240
ST-5012	M18 fixing bracket	95ACC5250
SWING-18	adjustable support for plastic tubular M18 sensors	895000006
SP-40	fixed support for tubular M18 sensors	95ACC1370
CS-A1-03-G-03	axial M12 5 pole unshielded 3 m connector	95ACC2110
CS-A1-03-G-05	axial M12 5 pole unshielded 5 m connector	95ACC2120

Refer also to **Accessories for Sensors of the General Catalogue**



Distributed by:

**HEADQUARTERS**

**DATASENSOR SpA**  
 via Lavino, 265 - 40050 Monte San Pietro, BO - Italy  
 Tel. +39 051/6765611 • Fax +39 051/6759324  
[www.datasensor.com](http://www.datasensor.com) • e-mail [info@datasensor.com](mailto:info@datasensor.com)

Datasensor SpA endeavours to continuously improve and renew its products; for this reason the technical data and contents of this catalogue may undergo variations without prior notice. For correct installation and use Datasensor SpA can guarantee only the data indicated in the instruction manual supplied with the products.