

SAFEasy™ TYPE 2 LIGHT CURTAINS



- *Integrated light curtains for HAND PROTECTION*
- *Version with 35 mm resolution*
- *Special slot for device setting*
- *35 x 40 mm compact profile*

SE2-HAND SERIES

The **SAFEasy™** light curtains, according to the IEC 61496-1 e IEC 61496-2 standards, are suitable for hand protection of operators exposed to risks. Different models with eleven standard heights ranging from 150 to 1650 mm, 35 mm resolution and an operating distance reaching 15 m are available. Specific dip-switches, that can be reached through a slot present on the front of the receiver protected by a lid and opened with a simple screwdriver, guarantee rapid and safe device setting.

The operator is thus able to configure, according to the specific needs, the manual or automatic Restart, as well as the Muting and partial Muting functions.

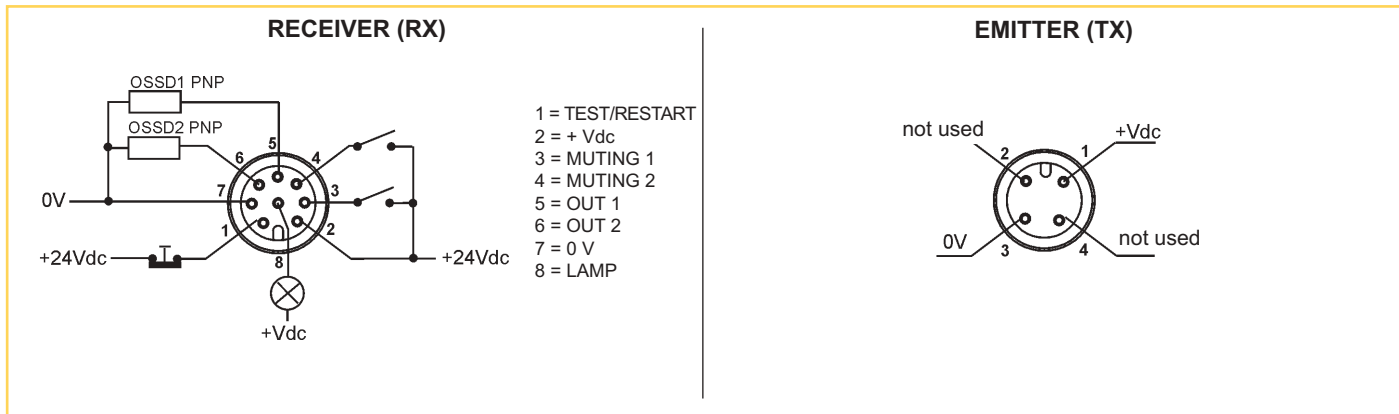
The emitter-receiver units are optically synchronised and contain all the control circuits, inputs and outputs inside the housing.

The **SAFEasy™** light curtains have also integrated the test function, automatically activated every second, without stopping the machine's working cycle.

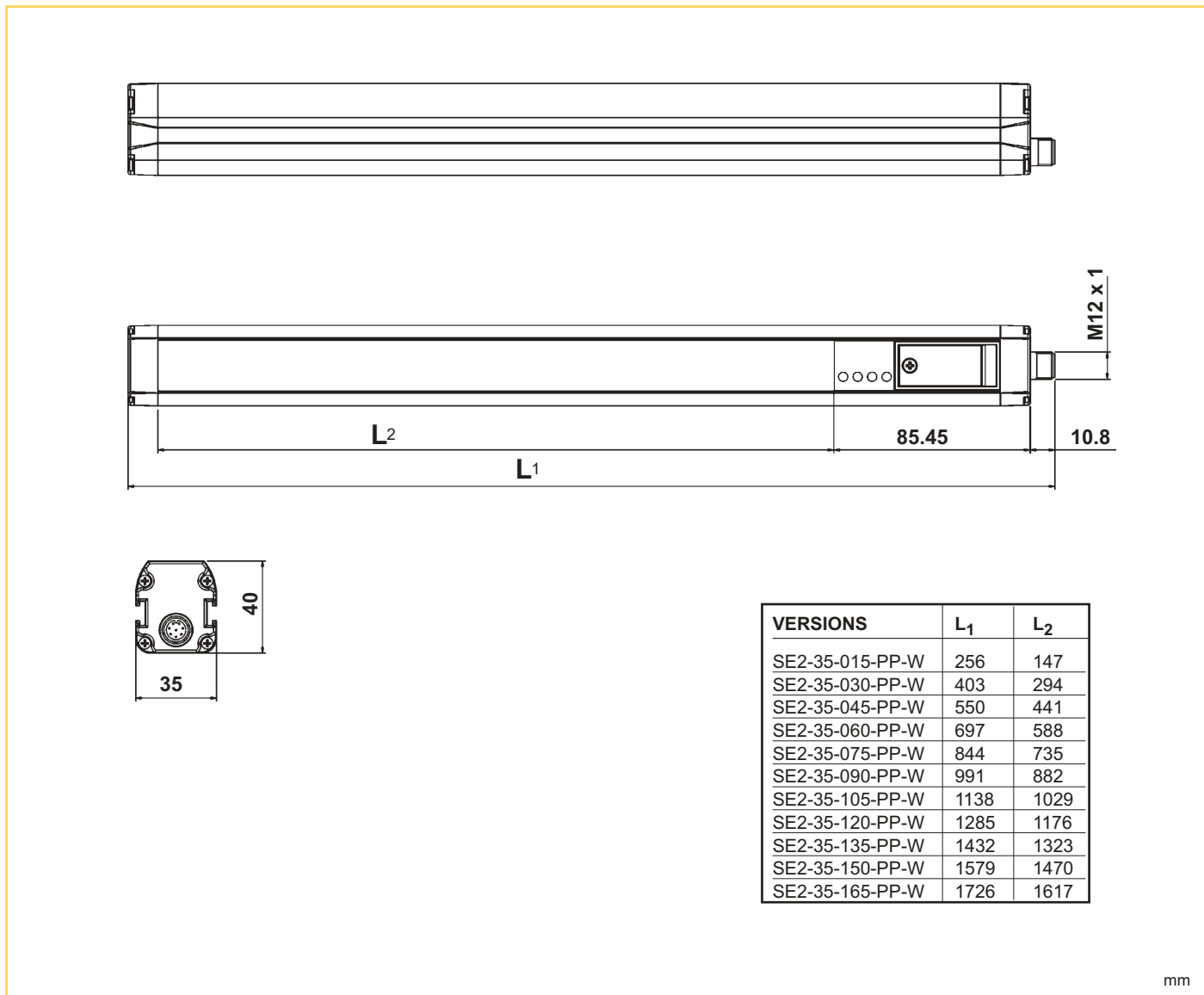
A wide range of industrial applications, requiring operator safety, can be solved by the **SAFEasy™** light curtains, thanks to the extremely compact dimensions (35x40 mm) and easy connection and installation.



CONNECTIONS



DIMENSIONS





MODEL SELECTION AND ORDER INFORMATION

MODEL	DESCRIPTION	CODE N°
SE2-35-015-PP-W	type 2 safety light curtain h=150 mm	957101000
SE2-35-030-PP-W	type 2 safety light curtain h=300 mm	957101010
SE2-35-045-PP-W	type 2 safety light curtain h=450 mm	957101020
SE2-35-060-PP-W	type 2 safety light curtain h=600 mm	957101030
SE2-35-075-PP-W	type 2 safety light curtain h=750 mm	957101040
SE2-35-090-PP-W	type 2 safety light curtain h=900 mm	957101050
SE2-35-105-PP-W	type 2 safety light curtain h=1050 mm	957101060
SE2-35-120-PP-W	type 2 safety light curtain h=1200 mm	957101070
SE2-35-135-PP-W	type 2 safety light curtain h=1350 mm	957101080
SE2-35-150-PP-W	type 2 safety light curtain h=1500 mm	957101090
SE2-35-165-PP-W	type 2 safety light curtain h=1650 mm	957101100

ACCESSORY SELECTION AND ORDER INFORMATION

Please refer also to *Safety Device Accessories*

Note: All the accessories have to be ordered separately

Distributed by:

HEADQUARTERS

DATASENSOR SpA

via Lavino, 265 - 40050 Monte San Pietro, BO - Italy
Tel. +39 051/6765611 • Fax +39 051/6759324
www.datasensor.com • e-mail info@datasensor.com

Datasensor SpA endeavours to continuously improve and renew its products; for this reason the technical data and contents of this catalogue may undergo variations without prior notice. For correct installation and use Datasensor SpA can guarantee only the data indicated in the instruction manual supplied with the products.