



传感器产品选型手册 Sensors Product Manual

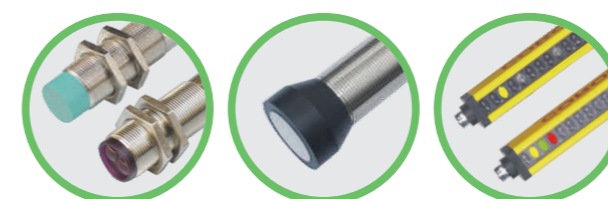
专业品质·追求卓越

PROFESSIONAL QUALITY,
THE PURSUIT OF EXCELLENCE



浙江罗舸智能科技有限公司
ZHEJIANG LUOGE INTELLIGENT TECHNOLOGY CO., LTD.

地址：浙江省乐清市柳市镇吕岙工业区
电话：0577-27869975 27869905
传真：0577-27869925
邮箱：325604



浙江罗舸智能科技有限公司
ZHEJIANG LUOGE INTELLIGENT TECHNOLOGY CO., LTD.

公司简介 | Company introduction

罗舸智能科技有限公司系专业传感器研究、制造厂家，专业制造各种接近开关、光电开关、光幕开关、磁性开关、超声波传感器等。生产的产品广泛应用于塑胶、轻工、纺织、化工、石油、烟草、食品、冶金、电力等各种工业机械设备及自动化流水线上，作限位、定位测量、自动计数、测速、自动保护、信号传送、保护、隔离之用。

本公司生产的产品均采用国际标准设计、制造，与国外同类产品可通用互换。产品器件均采用世界知名厂家，精心设计、精工组装，产品质量可与国外产品媲美。

经过多年的努力发展，公司已具备一定规模，在同行业中享有较高的知名度，公司拥有一支国内一流技术的专家和高级工程技术人员组成的科研队伍。为加快产品开发力度，加强企业的竞争力，公司积极引进各种专业人才，购置先进的仪器和检测设备，产品质量达到国际先进水平。

在激烈的市场竞争中，公司始终以质量各项管理工作的核心，把产品质量视为企业的生命，建立了一套较完善的质量保证体系，把“质量第一，用户至上”作为市场竞争的一贯宗旨，向广大客户郑重承诺实行彻底负责的售后服务。我们拥有全面计算机化设计的工程研发部门及专业技术人员，以高效率、高品质不断开发新产品，不但可以为客户提供本公司的现有产品，也可以根据客户的具体需求开发新产品，可按ODM、OEM的方式为客户提供全面性的产品服务。

公司始终坚持质量第一、价格合理、交货及时、服务周到的经营理念，顾客满意是我们追求的永恒目标，十多年来本公司一直以最好的产品、最好的服务来满足国内外客户的需求，深受广大用户好评。

WHO WE ARE

We are faithful people.

We make value for our customers and help them to expand.

We make good,stable and durable sensors for our customers.

We produce proximity sensor,photoelectric sensor,safety light curtain,magnetic switch,ultrasonic sensor,etc.

We own excellent product development capability,and we provide customers with creative design, innovative technology and customized products.

We cherish credibility and relationship.

We are responsible for our customers,responsible for the quality of our products,and responsible for every detail of our service.



目录 | Contents

接近开关基本参数及电气特性 Basic parameters and electrical characteristics of our Sensors	01
电感式传感器 Inductive Sensors	07
电容式传感器 Capacitive Sensors	28
增强距离感应型传感器 Distance-enhanced Sensors	31
耐高温型传感器 High Temperature Resistance Sensors	35
金属感应面型传感器 All-metal Surface Sensors	39
耐高压型传感器 High Pressure Resistance Sensors	40
模拟量输出型传感器 Analog Output Sensors	41
本安型传感器 Namur Sensors	43
霍尔传感器 Hall Sensors	44
磁性传感器 Magnetic Sensors	45
光电传感器 Photoelectric Sensors	46
光纤传感器 Optical Fiber Sensors	59
色标对比传感器 Color Mark Sensors	61
反射板系列 Reflector	62
光幕传感器 Area Security Sensors	63
超声波传感器 Ultrasonic Sensors	65

100%

服务无处不在.....
Service

接近开关工作原理 Proximity switch working principle

接近开关又称接近传感器。传感器分电感式、电容式、模拟式、霍尔式、磁性式。传感器可与PLC可编程控制器、单片机、非门电路、电子计数器、固态继电器、小型继电器等产品配套使用。

电感式接近传感器由高频振荡、检波、放大、触发及输出电路等组成。振荡器在传感器检测面产生一个交变电磁场，当金属物体接近其检测面时，金属中产生的涡流吸收了振荡器的能量，使振荡减弱以至停振。振荡器的振荡及停振这二种状态，转换为电信号通过整形放大器转换成二进制的开关信号，经功率放大后输出。

电容式接近传感器由高频振荡器和放大器等组成，由传感器的检测面与大地间构成一个电容器，参与振荡回路工作，起始处于停振状态。当物体接近其检测面对，回路的电容量发生变化，是高频振荡器振荡，振荡与停振这二种状态转换为电信号经放大器转换成二进制的开关信号。

模拟传感器（又称线性位移传感器），当金属物体接近其检测面时，随着距离的变化，其输出一个与距离成线性关系变化的电信号，从而达到监控的目的。

霍尔传感器是一种内含霍尔集成电路的接近传感器，利用霍尔效应将磁信号的有或无转换成开关量，广泛应用与信号检测、自动控制、安全保护。

磁性传感器由舌簧管和放大器组成，当外磁场靠近传感器迫使簧片磁化而动作，再经放大电路放大，增大开关电量，以实现对外接电路的通断控制。

Proximity switch is also called proximity sensor. There are many types of Proximity Sensors, including inductive sensor, Capacitive sensor, simulative sensor and etc. Proximity Sensors can be connected to PLC programmable controller, SCM circuit, electronic counters, solid-state relays and other products.

Inductive proximity sensor is composed of high-frequency oscillations, detection, amplification, trigger and output circuits. Oscillator produces an alternating electromagnetic field on surface of the sensor detection. When the metal objects close to the test surface, eddy current generated in metal absorbs the energy of the oscillator, the oscillation abate to stop. The two states of with or without oscillation are transformed into the electrical signals, and signals go through the shaping amplifier, and is converted into binary switch signals. The binary switch signals output after amplified.

Capacitive Proximity Sensors are composed by High frequency concussion and amplification. The sensor's detection surface and the earth form a capacitor. The capacitor participate the oscillation circuit in working, starting at the state of no vibration. When the measured object is near the detection surface, the capacity of circuit changes and the high-frequency oscillator starts vibrating. The states of vibration or no vibration of oscillator are converted into binary signals through the signal amplifier.

Simulative sensors (also known as the linear displacement sensors) output a signal which changes linearly with the changes of the distance of the detected object, and thus can monitor the state of the automatic machine.

Hall sensor is a kind of sensor with Hall LC inside and can change the states of with or without magnetic signals into switch capacity signals. It is widely used in signal detection, automatic control and safety protection.

Magnetic sensors are composed of reed tube and amplification. The external magnetic field comes near, the reed tube is magnified and make an action, which is amplified by the amplifier, then a switch capacity signal is sent out to operate the external circuit.

接近开关技术术语 Proximity swiches technical terms

●动作距离 Action Distance

动作距离是接近开关最重要的参数，它主要是取决于接近开关的感应面直径大小，感应目标的材料及环境温度也影响接近开关的动作距离；对于磁性、霍尔传感器，安装在铁板上及磁性强度也同样影响传感器的动作距离；接近开关的动作方式有两种：轴向接近，径向接近，一般都采用轴向接近。

Operating distance is the most important parameter of the Proximity Sensor which is decided by the diameter of the sensing face, material and size of the detected object and the ambient temperature. For magnetic or Hall sensor, the magnetic strength of the detected object will affect the sensing distance of the sensor, another ambient factor that affect the sensing distance is whether the sensor is installed on an iron plate. There are two ways of action mode of the proximity sensor: Axial and Radial. Axial detection mode is more commonly used.

●额定感应距离(Sn) Rated sensing distance (Sn)

它是一个标准值，不考虑外部环境的影响。
It's a standard value without regard to the influence of external environment.

●标准检测片 Standard detection sheet

检测片设计成正方形，厚度为1mm；材料为ST37，表面光滑，它的边长为3×Sn。检测目标尺寸或材料的改变会衰减感应范围。
The standard detection sheet is square with thickness of 1mm. The length of the square side is equal to 3 x Sn and the sheet material is ST37 iron. The difference of the dimension of the detected object or the difference of sheet material will make the sensing range different.

●有效动作距离(Sr) Effective action distance (Sr)

开关在额定工作电压及室温下(23±5°C)测得的动作距离：0.9Sn≤Sr≤1.1Sn
The action distance detected at the rated operating voltage and room temperature(23±50°C): 0.9Sn≤Sr≤1.1Sn

●可用动作距离(Su) Practicable action distance (Su)

开关在允许的环境温度-25°C~+70°C下，输入电压在额定电压的85%到110%的范围内，测得的动作距离：0.9Sr≤Su≤1.1Sr。
When the input voltage is in the range of 85% to 110% of the rated voltage and the sensor work at the allowable ambient temperature -25°C to +70°C : 0.9Sr≤Su≤1.1Sr.

●可靠动作距离(Sa) Reliable action distance (Sa)

测量目标在这个动作距离内，开关的动作是可靠的：0≤Sa≤0.81Sn
When the measure object is in this action distance, the action of the switch is reliable: 0≤Sa≤0.81Sn

●重复精度(R) Repeatability precision (R)

是指在环境温度(23±5°C)，相对湿度为随机的，供电电压为Ue±5%，在8个小时的范围内进行测量所产生的有效作用距离的变化量：Rs≤0.1Sn
It is the convert value of the effective action distance that measured in 8 hours when the ambient temperature is 23±5°C, relative humidity is random and the service voltage is Ue±5v: Rs≤0.1Sn.

●确保开关断开距离 Ensure the switch breaking distance

当检测片到开关感应面的距离大于倍的额定动作距离时，确保开关断开。
When the distance between the detection sheet and the switch inductive surface is larger than the rated action distance, ensure the switch is disconnected.

●衰减作用 Attenuation

衰减系数是指某一种材料的动作距离相对于用St37号钢作检测片时减少了多少。
对于电感式接近开关而言，检测片材料的导电性是影响衰减系数的主要参数。
Attenuation means how much the action distance reduced to when a certain kind of material is used as detection object, compared to ST37 steel used as detection sheet. For inductive proximity sensor, the main factor affecting attenuation coefficient is the electrical conductivity of the material of the detected object.

电感式接近开关对部分材料衰减系数 Inductive proximity switch on the part of the material attenuation coefficient	
材料 Material	衰减系数 Attenuation Coefficient
钢 Steel	1.0
不锈钢 Stainless steel	0.85
铝 Aluminum	0.4
黄铜 Brass	0.4
铜 Bronze	0.3

电容式接近开关对部分材料衰减系数 Capacitive proximity switch on the material attenuation coefficient	
材料 Material	衰减系数 Attenuation Coefficient
接地板 Earth plate	1.0
水 Water	1.0
酒精 Alcohol	0.75
陶瓷 Ceramic	0.6
PVC	0.45

●空载电流(IO) No-load current (IO)

是指接近开关在没有负载时所测得的电流消耗。
It means current consumption that is measured when the proximity sensor is in the state of no-load.

●瞬间电流(IK) Instantaneous current (IK)

是指当开关闭合时不会损坏接近开关短时间内出现的允许电流。
It means the allowable current in a short time that doesn't ruin the switch at the moment the switch is closed.

●剩余电流(IR) Residual current (IR)

是指接近开关断开时流过负载的电流。
It means the current that goes through the load at the second the sensor is disconnected.

●工作电压(UB) Operating voltage (UB)

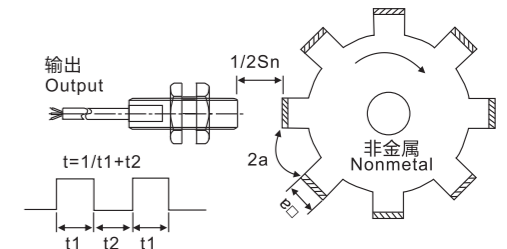
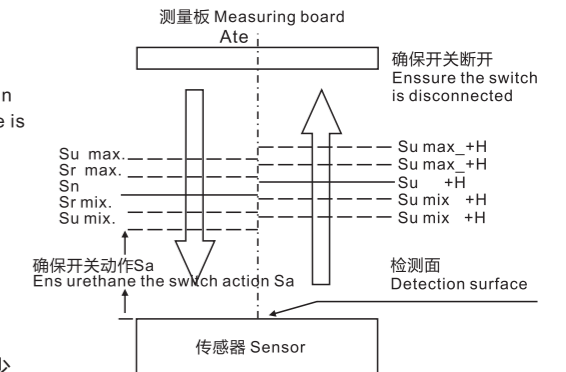
是指工作电压的最大，最小值；在这个范围内接近开关可以保证安全工作。
It means the maximum and minimum of the operating voltage. In this voltage range the sensor can work properly.

●电压降(UD) Voltage drop (UD)

是指开关接通时在开关两端所测得的电压。
It means the voltage measured between the two ends of the sensor when working.

●工作频率(F) Operating frequency (F)

是指从衰减状态转变到无衰减状态的最大变换次数，用赫兹(Hz)来表示。
It means the maximum switching times from the attenuation state to non-attenuation state in a unit time, measured in Hz.



接近开关安装方法 Promixity switch installation method

●圆柱型接近开关安装要求 Cylindrical type proximity switch

非屏蔽式接近开关可以获得最大的动作距离（与直径有关）；但为了防止开关周围的金属对开关影响，开关感应头必须与周围的金属保持一定的间隙。（图1）

屏蔽式接近开关由于内部特殊的屏蔽作用，使侧面径向的磁场减小，感应距离大约是非屏蔽式的60%，因以可以齐平安装在金属内。（图2）

磁式传感器不受安装条件的影响，只要周围的材料不被磁化。

Non-screen shield type proximity switch can achieve the biggest action distance (related to the diameter); but in order to avoid the influence from the metal surrounding the switch to the switch, the switch inductive head must keep a certain space with the surrounding metal. (Chart 1)

The inside special screen shielding of the screen shield type proximity switch makes the magnetic field of side radial decrease and the sensing distance is about 60% that of the non-screen shield type, therefore it can be flush mounted inside the metal. (Chart 2)

Magnetic type sensor is not affected by the installation condition, as long as the surrounding materials aren't magnetized.

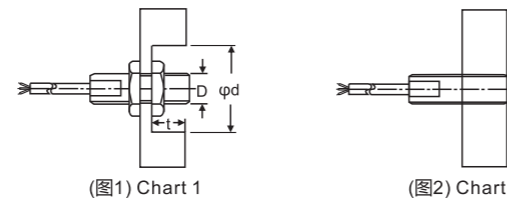
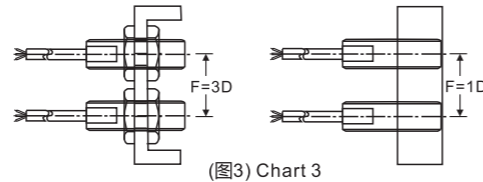
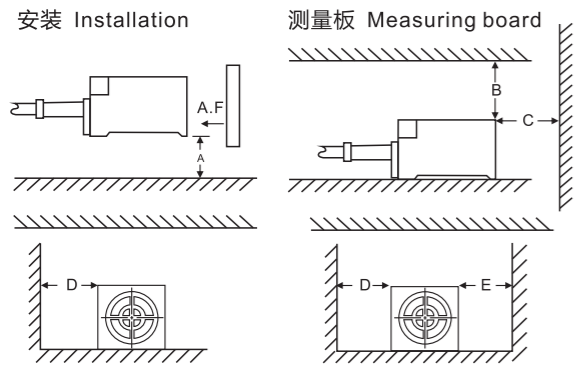


图1) Chart 1 图2) Chart 2
并排安装的影响(图3)Influence of parallel installation (chart 3)
为了防止相互干扰，必须保持相互间的最小距离。
To avoid mutual interference, the minimum distance between two sensors must be kept.

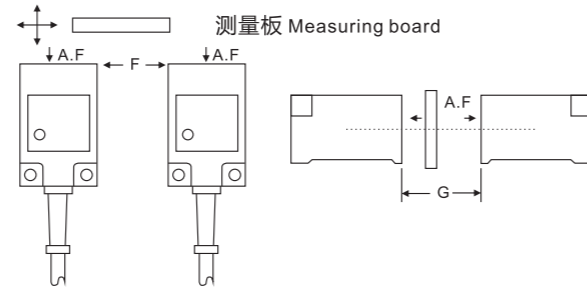


具体数据请参阅各种型号的使用说明书。
For detailed data, refer to the operation Instruction of various types

●角型及方型接近开关安装要求 Installation requirement of the horn and square sensors



并排安装的影响 Influence of parallel installation
为了防止相互干扰，必须保持相互间的最小距离。
To avoid mutual interference, the minimum distance between them must be kept.



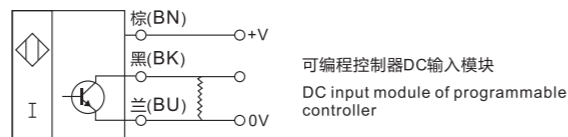
具体数据请参阅各种型号的使用说明书。
For detailed data, refer to the operation Instruction of various types

接近开关输出方式和电气特征 The output and electrical characteristics of proximity sensor

●接近开关与可编程控制器的连接

Connection between proximity switch and programmable controller

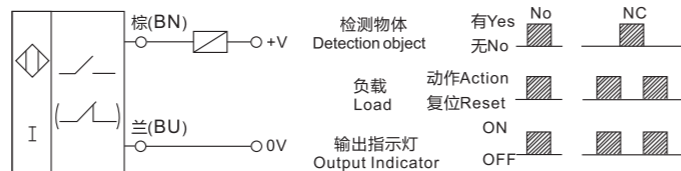
可与直流开关三线制NPN型输出
Can be connected with the proximity switch of DC switch three-wire system NPN type output



●直流二线制NO或NC DC two-wire system NO or NC

负载必须串联在传感器内进行工作，有极性和短路保护功能：在开路状态，存在有很小的漏电流；在闭路状态，开关元件上有一个较小的电压降。

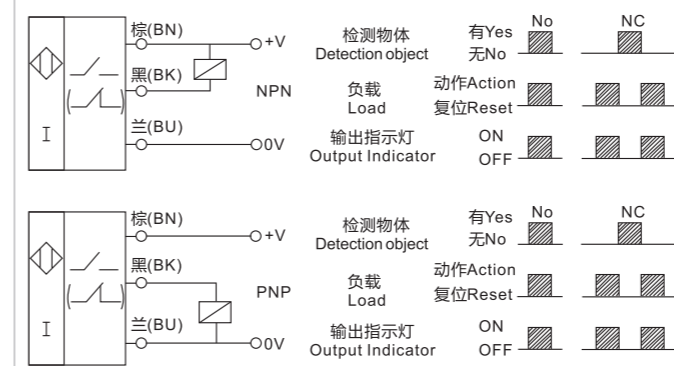
The load must be connected in series inside the sensor, with polarity and short-circuit protection. At normally open state there exists a tiny leakage current, while at normally closed state, there is a minor voltage drop on components.



●直流三线制 (N, P型) NO或NC
DC three-wire system (N, P type) NO or NC

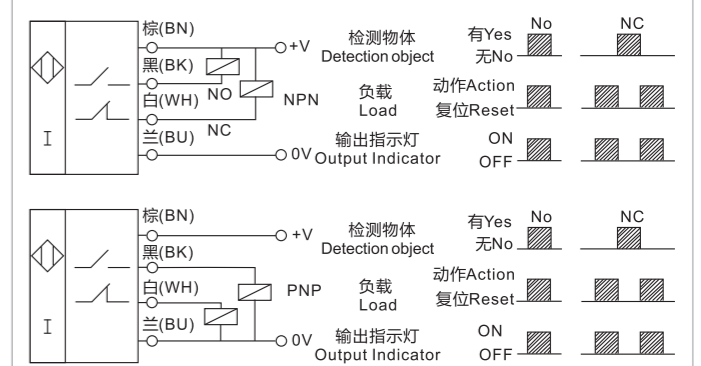
这些开关的负载和供电电源分开连接；有极性，短路和过载保护功能，剩余电流可以忽略。

The load of this kind sensor is separately connected from power supply with polarity, short-circuit and over-load protection. The residual current is least to neglect.



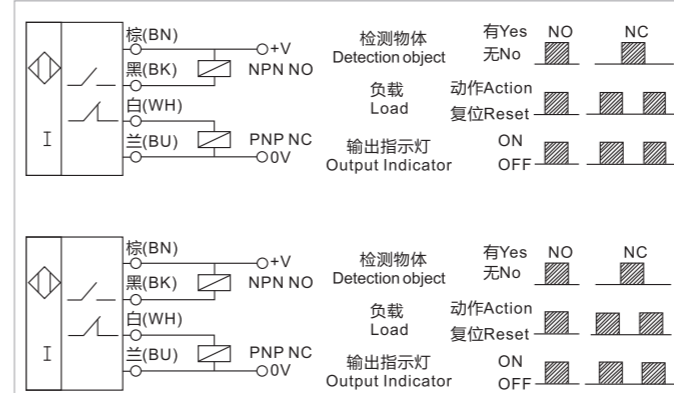
●直流四线制(N, P型)NO+NC
DC four-wire system (N, P type) NO plus NC

这些开关可提供常开，常闭两组输出。
The switches can provide two groups of output NO and NC



●直流四线制(X型) DC four-wire system(X type)

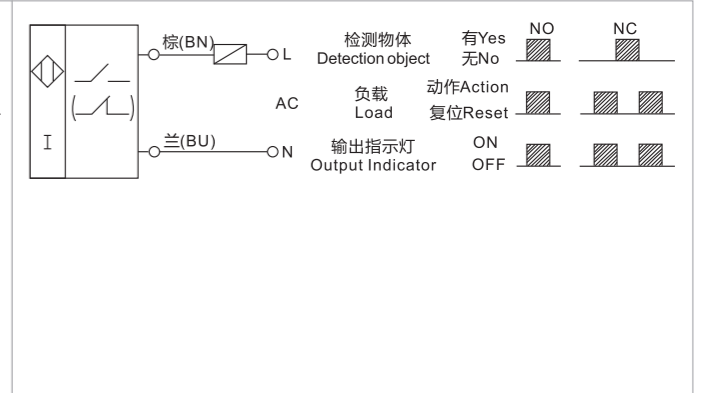
NPN,PNP,NO,NC四种输出方式可转换
the four output modes can be convertel among NPN,PNP, NO and NC



●交流二线制NO或NC AC two-wire system NO or NC

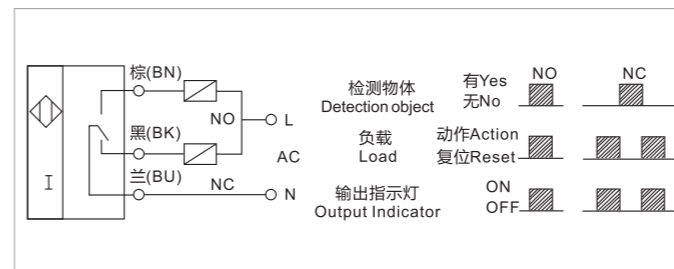
负载必须串联在传感器内进行工作，在闭路状态，开关元件上有一个较小的电压降。

The load must be connected in series inside the sensor. At normally closed state, there is a minor voltage drop on components.



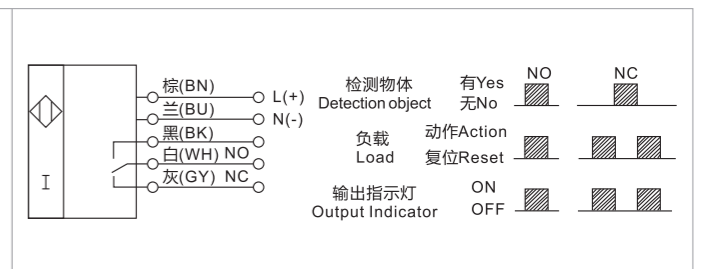
●交流三线制NO+NC AC three-wire system NO+NC

这些开关可提供常开，常闭两组输出。
The switches can provide two outputs of NO and NC.



●交流、直流五线制(继电器输出)NO+NC
AC/DC five wire (relay output) NO + NC

这些开关可提供常开，常闭两组继电器输出。
The switches can provide two relay outputs of NO and NC.



●接近开关的并联、串联

Proximity Sensor in parallel and series

OR连接(NPN, PNP)型不可混杂使用, 并联接近开关OR连接, 任意一个接近开关动作就可驱动负载。接近开关的数量取决于漏电流的和, 只要它不影响负载动作, 就可多个连接。

In OR connection the type of NPN and PNP cannot be mixed in use. In the OR connection of parallel, any sensor can drive the load. The quantity of sensors depends on the sum of leakage current. More sensors can be connected as long as the load action is not affected.

●AND连接(串联)AND connection (series)

当接近开关AND连接, 全部的接近开关动作时可驱动负载。接近开关的数量取决于其饱和电压的和, 只要它不影响接近开关的电源电压, 就可多个连接。接近开关的响应频率为各个接近开关初始复位的累加。

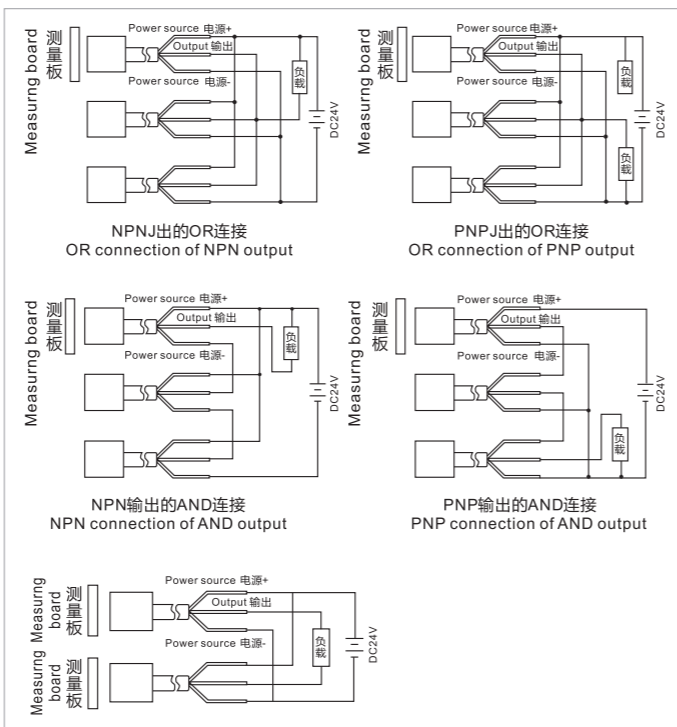
In AND connection, all sensors work together can drive the load. The quantity of sensors depends on the sum of saturation voltage. More sensors can be used as long as it does not affect the supply voltage of the sensor. The response frequency of the sensors is the accumulation of initialized reset of various sensors.

●接近开关的并联、串联

Proximity Sensor in parallel and series

AND连接 (串联) NPN, PNP混杂使用

AND connection (series) NPN, PNP mixed-use



接近开关使用注意事项 Attention in the use of proximity sensors

●接通或断开电源时的注意事项 Cautions when connected or disconnected with the power supply

将接近开关与计数器, 可编程控制器相联接时, 其内部带有初始复位电路, 不会有问题。请注意避免发生以下情况:

检测物体位于接近开关的检测距离附近; 对于直流电压型和直流开关型接近开关, 在电源接通 (断开) 时, 时间常数出现大幅上升 (下降) 的情况; 交流开关型接近开关在其电流接通 (断开) 时, 有自激, 噪音的情况下。

The proximity sensor cannot directly connect to the capacitor or light which has larger jumping current. Please connect the sensor with these usages through a relay or through a current-limiting resistance. The peak current set by current-limiting resistance R is less than the load current of the proximity sensor. Please connect through the resistance.

●电容、灯负载 Capacitor, light load

接近开关不能把电容、灯等突升电流较大的负荷作为与其直流连接的负载; 请通过继电器连接或串联一限流电阻。限流电阻R设定的峰值电流在接近开关的负载电流内一限流电阻; 请务必经过负载进行连接。

The proximity switch can't have the capacitor or light that has larger jumping current as the load directly connected; it's needed to be connected through a relay or series connected with a current-limiting resistance. The peak current set by current-limiting resistance R is within the load current of the proximity switch. Make sure to connect through load

$$\frac{\text{电源电压V}}{\text{接近开关的最大负荷电流mA}} \leq R(K\Omega)$$

$$\frac{\text{Supply voltage V}}{\text{Peak load current value of proximity switch mA}} \leq R(K\Omega)$$

电阻R的容许损失(W)

Allowable loss of resistance R (W)

$$\frac{\text{电源电压V}^2}{\leq R(K\Omega)} \times 2\text{倍以上}$$

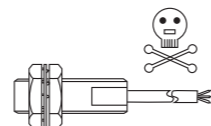
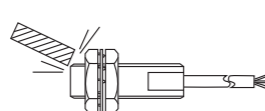
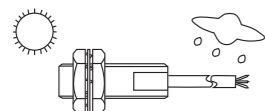
$$\frac{\text{Supply voltage V}^2}{\leq R(K\Omega)} \times 2\text{ times above}$$

●接近开关安装注意事项 Notice of installation of proximity sensor

请不要在露天环境中使用, 必要时请使用保护罩。
Don't use it in the open air, and use a protective cover, if necessary.

请不要用硬的物体撞击检测面, 必要时请使用保护罩。
Don't knock the detection surface with hard objects and use a protective cover, if necessary.

请不要在有腐蚀性物品的环境中使用。
Don't use it in the environment with corrosive objects.



请不要用大力量紧固, 紧固时, 请使用弹垫紧固。

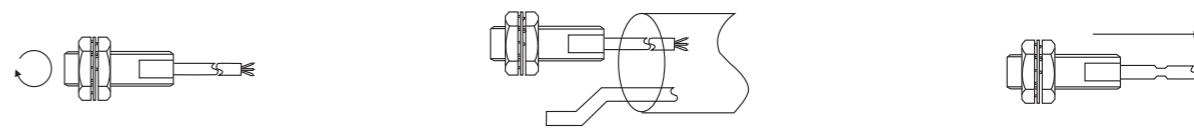
Don't fasten it with a big force, but fasten it with spring washer

接近开关的配线应单独配金属软管, 请不要与电力线, 动力线一起在同一金属软管内。

The proximity switch must be equipped individually with metal flexible pipe, and don't make it with the electric line and power line in the same metal flexible pipe

请不要用大力量拉伸接近开关的电源线。

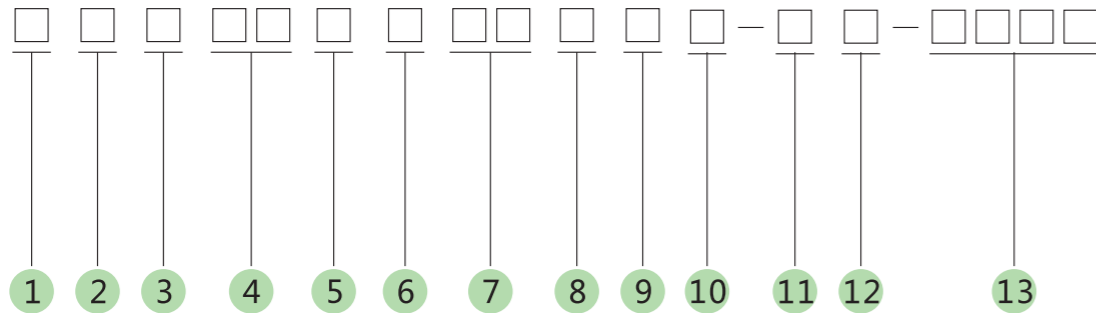
Don't stretch the power line of the proximity switch with a big force.



接近、光电开关应用实例 Application examples of proximity sensor and photoelectric sensor

<p>1、厚纸箱检测 Thick carton detection</p> <p>一侧不能装设传感器时, 采用漫反射式光电开关</p> <p>Use photoelectric switch with diffuse reflection when the sensor can't be mounted on one side</p> <p>内置电源型光电开关 Built-in power type photoelectric switch</p>	<p>2、起重机的报警装置 Alarm device of the crane</p> <p>起重机的方向判断和进入危险区的检测</p> <p>The direction judgment of the crane and the detection of the approach into the dangerous zone</p> <p>槽型光电开关 Slot type photoelectric shape</p>	<p>3、啤酒瓶的有无标签检测 Tag detection of the beer bottle</p> <p>用反射式光电开关检测啤酒瓶, 用对射式光电开关检测有无标签。</p> <p>Check the beer bottle with the reflection type photoelectric switch, and check whether there is a tag with the correlation type photoelectric switch.</p> <p>反射式光电开关, 对射式光电开关 Reflection type photoelectric switch, correlation type photoelectric switch</p>	<p>4、镜面的稳定检测 Steady detection of mirror surface object</p> <p>按MSR功能, 镜面也能毫无误动作地稳定检测。</p> <p>It's available for mirror surface object to undertake steady detection without any misoperation in terms of function MSR.</p> <p>反射式光电开关 Reflection type photoelectric switch</p>	<p>5、玻璃管内的水位检测 Water level detection inside glass tube</p> <p>把投光器和受光器稍微错开角度安装, 仅投光器上透镜是关键。水位下降时则变成遮光状态, 可实现精度为1mm的水位检测。</p> <p>Mount the light projector and the light receptor at a slightly staggered angle and the lens on the light projector is the key point. The water level drops, it turns into lightproof state, and the precision of water level detection is up to 1mm.</p> <p>对射式光纤传感器 Correlation type optical fiber sensor</p>
<p>6、气密检测 Gas tight detection</p> <p>衬底为半透明时, 用对射式可检测。</p> <p>When the substrate is translucent, undertake detection with correlation type</p> <p>光纤对射式光电开关 Optical fiber correlation type photoelectric switch</p>	<p>7、检志检测 Mark detection</p> <p>标志传感器 Mark sensor</p>	<p>8、斜度检测 Inclination detection</p> <p>漫反射式光电开关 Photoelectric switch with diffuse reflection</p>	<p>9、机器人工作区安全检测 Safety detection in robot work area</p> <p>安全光幕传感器 Safety optical veiling sensor</p>	<p>10、机加工中心的各种位置检测 Various position detection in machining centre</p> <p>圆柱型接近开关 Cylindrical type proximity switch</p>
<p>11、动作时凸轮检出 Action sequence cam detection</p> <p>扁平型接近开关 Flat type proximity switch</p>	<p>12、脉冲发生器 Pulsar</p> <p>槽型接近开关 Slot type proximity switch</p>	<p>13、瓶盖检测 Bottle cap detection</p> <p>温水洗净 Clean with warm water</p> <p>多温环境 Multi-temperature environment</p> <p>防水型接近开关 Water-proof type proximity switch</p>	<p>14、磨床挡块检测 Grinder stop detection</p> <p>防水型接近开关 Water-proof type proximity switch</p>	<p>15、检测纸包装袋内有无牛奶 Detect whether there is milk inside the paper packet</p> <p>电容式接近开关 Capacitive type proximity switch</p>

● 型号描述规则 Model Name Explanation



1. 分类代号
Classification code

L:电感式 L:inductive
C:电容式 C:capacitive

2. 外形代号
Shape code

M:圆柱形 Cylindrical
E:方形 Square
Q:光滑圆柱形S- cylindrical
V:角柱形 Prism shape
Z:组合形 Combination
H:环形 Ring
U:槽型 Trough type

3. 外形尺寸
Overall dimensions

无:标准型 Standard
A:短型 Short
B:长型 Long

4. 尺寸代号
Size code

数字:外壳尺寸 Shell size
如:08:M8

5. 外壳材料
Shell material

无:金属铜壳 Copper
S:塑料 Plastic
B:不锈钢 Stainless steel
L:铝质 Aluminum

6. 安装形式
Type of installation

F:非埋 Non-flush
M:埋入 Flush

7. 检测距离
Detection distance

02:2mm
04:4mm
10:10mm

8. 工作电压
Working voltage

A:10...30VDC
B:10...60VDC
C:20...250VAC
D:90...250VAC
E:20...250VDC/AC
F:8.2VDC
L:5VDC
S:380VAC

9. 输出方式
Output form

B:AC/DC二线Two-wire
D:DC二线Two-wire
A:AC二线Two-wire
P:PNP
N:NPN
E:NPN/PNP
F:NPN+PNP
K:继电器relay

10. 输出状态
Output state

C:常开/常闭可逆
NO/NC reversible
D:常开/常闭可选
NO/NC optional
A:常开NO
B:常闭NC
R:常开+常闭NO+NC
LU:电压型+电流型
voltage+current
U:电压型(0...10V)
Voltage type
L:电流型(0...20mA)
Current type
L4:电流型(4...20mA)
Current type

11. 连接形式
Connection form

无:2M引线式
Non 2m cable
E1:M8三芯插件
3-pin connector
E2:M12四芯插件
4-pin connector
E3:M8四芯插件
4-pin M8 connector
E4:M12四芯梯形插件
4-pin M12 connector
E5:M12五芯插件
5-pin M12 connectors
D:内端子接线
Internal Terminal Connection

12. 开关功能
Switch function

无:标准 功能型Non:Standard
H:霍尔型Hall type
M:模拟量Analog type
N:NAMUR
W:耐高温(-25°C...120°C)
High temperature resistant
W1:耐低温(-40°C...70°C)
Low temperature resistant
W2:耐高温(-25°C...100°C)
High temperature resistant
B:耐高压High pressure resistant
T:速度型Speed Sensor
Z:自诊断Self check
Y:增强远距离型Distance enhanced
G:调频型FM type
Q:金属感应面All-metal type
A:抗强磁干扰
Magnetic interference resistance
K:抗电源干扰
Power interference resistance
F:检测铁Detection of iron
NF:检测非铁Detection of non-iron
J:监速型Speed monitoring

13. 特殊要求
Special requirements

用四位数字表示
with four-digit number

检测范围 Sensing range 0.6~0.8mm

圆柱形 Cylindrical type φ4、M5

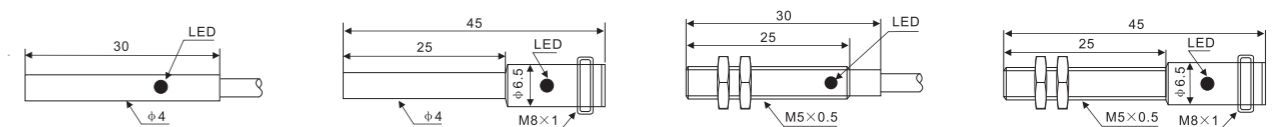


外壳材料:金属(不锈钢) Shell material: metal (stainless steel)
外观尺寸:光面φ4和螺纹M5 Appearance size: smooth φ4, thread M5
防护等级:IP67 Protection grade: IP67
环境温度:-25°C~+70°C Ambient temperature: -25 °C to +70 °C
符合标准:GB/T14048.10 Standard: GB/T14048.10

工作形式 Work form	型号 Type	Sn	安装方式 Installation	电源电压 Power voltage			输出 Output				保护 Protect	连接方式 Connection method						
				10-30VDC	90-250VAC	20-250VAC	NPN	PNP	常开 NO	常闭 NC		LED指示, 红色 LED indicator, Red	环形LED指示, 黄色 Annular LED indicator, Yellow	LED指示, 黄色 LED indicator, Yellow	最大负载电流mA Maximum load current	开关频率Hz Switching frequency	反极性保护 Reverse polarity protection	短路保护 Short circuit protection
DC 3线 DC 3 line	LQ04M0.6ANA	0.6	●	●	●	●	●	●	●	●	●	●	●	●	●	●	●	●
	LQ04M0.6ANB	0.6	●	●	●	●	●	●	●	●	●	●	●	●	●	●	●	●
	LQ04M0.6APA	0.6	●	●	●	●	●	●	●	●	●	●	●	●	●	●	●	●
	LQ04M0.6APB	0.6	●	●	●	●	●	●	●	●	●	●	●	●	●	●	●	●
	LQ04M0.6ANA-E1	0.6	●	●	●	●	●	●	●	●	●	●	●	●	●	●	●	●
	LQ04M0.6ANB-E1	0.6	●	●	●	●	●	●	●	●	●	●	●	●	●	●	●	●
	LQ04M0.6APA-E1	0.6	●	●	●	●	●	●	●	●	●	●	●	●	●	●	●	●
	LQ04M0.6APB-E1	0.6	●	●	●	●	●	●	●	●	●	●	●	●	●	●	●	●
	LM05M0.8ANA	0.8	●	●	●	●	●	●	●	●	●	●	●	●	●	●	●	●
	LM05M0.8ANB	0.8	●	●	●	●	●	●	●	●	●	●	●	●	●	●	●	●
	LM05M0.8APA	0.8	●	●	●	●	●	●	●	●	●	●	●	●	●	●	●	●
	LM05M0.8APB	0.8	●	●	●	●	●	●	●	●	●	●	●	●	●	●	●	●
	LM05M0.8ANA-E1	0.8	●	●	●	●	●	●	●	●	●	●	●	●	●	●	●	●
	LM05M0.8ANB-E1	0.8	●	●	●	●	●	●	●	●	●	●	●	●	●	●	●	●
	LM05M0.8APA-E1	0.8	●	●	●	●	●	●	●	●	●	●	●	●	●	●	●	●
	LM05M0.8APB-E1	0.8	●	●	●	●	●	●	●	●	●	●	●	●	●	●	●	●

外形尺寸 Dimensions

LQ04M0.6ANA LQ04M0.6ANA-E1 LM05M0.8ANA LM05M0.8ANA-E1
LQ04M0.6ANB LQ04M0.6ANB-E1 LM05M0.8ANB LM05M0.8ANB-E1
LQ04M0.6APA LQ04M0.6APA-E1 LM05M0.8APA LM05M0.8APA-E1
LQ04M0.6APB LQ04M0.6APB-E1 LM05M0.8APB LM05M0.8APB-E1



检测范围 Sensing range 1~2mm

圆柱形 Cylindrical type $\phi 6.5$



外壳材料:金属 (黄铜镀铬) Shell material: Metal (Chrome plated brass)
 外观尺寸:光面 $\phi 6.5$ Appearance size: Smooth $\phi 6.5$
 防护等级:IP67 Protection grade: IP67
 环境温度:-25°C~+70°C Ambient temperature: -25 °C to +70 °C
 符合标准:GB/T14048.10 Standard: GB/T14048.10

工作形式 Work form	型号 Type	Sn	安装方式 Installation				电源电压 Power voltage			输出 Output				保护 Protect	连接方式 Connection method						
			感应距离mm Induction distance	齐平安装 Flush mounting	非齐平安装 Non-flush mounting	螺纹安装 Screw installation	10-30VDC	90-250VAC	20-250VAC	NPN	PNP	常开 NO	常闭 NC		LED 指示, 红色 LED indicator, Red	环形LED 指示, 黄色 Annular LED indicator, Yellow	LED 指示, 黄色 LED indicator, Yellow	最大负载电流mA Maximum load current	开关频率Hz Switching frequency	反极性保护 Reverse polarity protection	短路保护 Short circuit protection
DC 2线 DC 2 line	LQ6.5M01ADA	1	●			●							●	●	●	100	1K	●		●	●
	LQ6.5M01ADA-E1	1	●			●							●	●	●	100	1K	●		●	●
	LQ6.5F02ADA	2		●		●							●	●	●	100	800	●		●	●
	LQ6.5F02ADA-E1	2		●		●							●	●	●	100	800	●		●	●
	LQ6.5F02ADB	2		●		●						●	●	●	●	100	800	●		●	●
	LQ6.5F02ADB-E1	2		●		●						●	●	●	●	100	800	●		●	●
DC 3线 DC 3 line	LQ6.5M01ANA	1	●			●							●	●	●	100	2K	●	●	●	●
	LQ6.5M01ANB	1	●			●					●	●	●	●	●	100	2K	●	●	●	●
	LQ6.5M01APA	1	●			●					●	●	●	●	●	100	2K	●	●	●	●
	LQ6.5M01APB	1	●			●					●	●	●	●	●	100	2K	●	●	●	●
	LQ6.5M01ANA-E1	1	●			●							●	●	●	100	2K	●	●	●	●
	LQ6.5M01ANB-E1	1	●			●						●	●	●	●	100	2K	●	●	●	●
	LQ6.5M01APA-E1	1	●			●						●	●	●	●	100	2K	●	●	●	●
	LQ6.5M01APB-E1	1	●			●						●	●	●	●	100	2K	●	●	●	●
	LQ6.5F02ANA	2		●		●							●	●	●	100	1K	●	●	●	●
	LQ6.5F02ANB	2		●		●						●	●	●	●	100	1K	●	●	●	●
	LQ6.5F02APA	2		●		●						●	●	●	●	100	1K	●	●	●	●
	LQ6.5F02APB	2		●		●						●	●	●	●	100	1K	●	●	●	●
	LQ6.5F02ANA-E1	2		●		●							●	●	●	100	1K	●	●	●	●
	LQ6.5F02ANB-E1	2		●		●						●	●	●	●	100	1K	●	●	●	●
LQ6.5F02APA-E1	2		●		●						●	●	●	●	100	1K	●	●	●	●	
LQ6.5F02APB-E1	2		●		●						●	●	●	●	100	1K	●	●	●	●	

外形尺寸 Dimensions

LQ6.5M01ANA	LQ6.5F02ANA	LQ6.5M01ANA-E1	LQ6.5F02ANA-E1
LQ6.5M01ANB	LQ6.5F02ANB	LQ6.5M01ANB-E1	LQ6.5F02ANB-E1
LQ6.5M01APA	LQ6.5F02APA	LQ6.5M01APA-E1	LQ6.5F02APA-E1
LQ6.5M01APB	LQ6.5F02APB	LQ6.5M01APB-E1	LQ6.5F02APB-E1
LQ6.5M01ADA	LQ6.5F02ADA	LQ6.5M01ADA-E1	LQ6.5F02ADA-E1
	LQ6.5F02ADB		LQ6.5F02ADB-E1

检测范围 Sensing range 1mm

圆柱形 Cylindrical type M8



外壳材料:金属 (黄铜镀铬) Shell material: Metal (Chrome plated brass)
 外观尺寸: 螺纹M8 Appearance size: The screw thread M8
 防护等级:IP67 Protection grade: IP67
 环境温度:-25°C~+70°C Ambient temperature: -25 °C to +70 °C
 符合标准:GB/T14048.10 Standard: GB/T14048.10

工作形式 Work form	型号 Type	Sn	安装方式 Installation				电源电压 Power voltage			输出 Output				保护 Protect	连接方式 Connection method						
			感应距离mm Induction distance	齐平安装 Flush mounting	非齐平安装 Non-flush mounting	螺纹安装 Screw installation	10-30VDC	90-250VAC	20-250VAC	NPN	PNP	常开 NO	常闭 NC		LED 指示, 红色 LED indicator, Red	环形LED 指示, 黄色 Annular LED indicator, Yellow	LED 指示, 黄色 LED indicator, Yellow	最大负载电流mA Maximum load current	开关频率Hz Switching frequency	反极性保护 Reverse polarity protection	短路保护 Short circuit protection
DC 2线 DC 2 line	LM08M01ADA	1	●			●							●	●	●	100	1K	●		●	●
	LM08M01ADB	1	●			●							●	●	●	100	1K	●		●	●
	LM08M01ADA-E1	1	●			●							●	●	●	100	1K	●		●	●
	LM08M01ADB-E1	1	●			●							●	●	●	100	1K	●		●	●
	LM08M01ADA-E2	1	●			●							●	●	●	100	1K	●		●	●
	LM08M01ADB-E2	1	●			●							●	●	●	100	1K	●		●	●
DC 3线 DC 3 line	LM08M01ANA	1	●			●							●	●	●	100	2K	●	●	●	●
	LM08M01ANB	1	●			●						●	●	●	●	100	2K	●	●	●	●
	LM08M01APA	1	●			●						●	●	●	●	100	2K	●	●	●	●
	LM08M01APB	1	●			●						●	●	●	●	100	2K	●	●	●	●
	LM08M01ANA-E1	1	●			●							●	●	●	100	2K	●	●	●	●
	LM08M01ANB-E1	1	●			●						●	●	●	●	100	2K	●	●	●	●
	LM08M01APA-E1	1	●			●						●	●	●	●	100	2K	●	●	●	●
	LM08M01APB-E1	1	●			●						●	●	●	●	100	2K	●	●	●	●
	LM08M01ANA-E2	1	●			●							●	●	●	100	2K	●	●	●	●
	LM08M01ANB-E2	1	●			●						●	●	●	●	100	2K	●	●	●	●
	LM08M01APA-E2	1	●			●						●	●	●	●	100	2K	●	●	●	●
	LM08M01APB-E2	1	●			●						●	●	●	●	100	2K	●	●	●	●

外形尺寸 Dimensions

LM08M01ANA	LM08M01ANA-E1	LM08M01ANA-E2
LM08M01ANB	LM08M01ANB-E1	LM08M01ANB-E2
LM08M01APA	LM08M01APA-E1	LM08M01APA-E2
LM08M01APB	LM08M01APB-E1	LM08M01APB-E2
LM08M01ADA	LM08M01ADA-E1	LM08M01ADA-E2
LM08M01ADB	LM08M01ADB-E1	LM08M01ADB-E2

检测范围 Sensing range 2mm

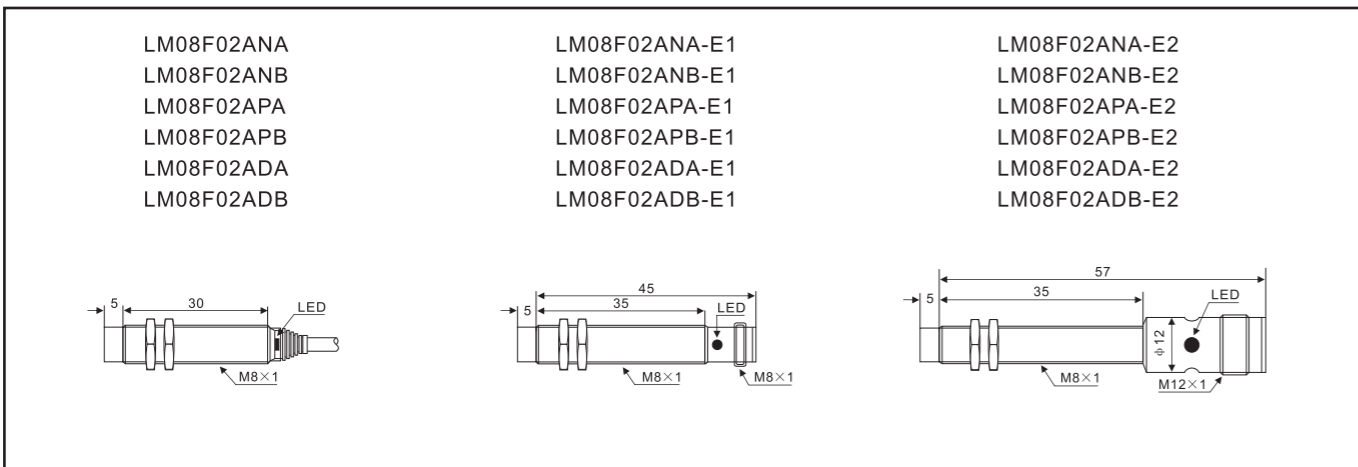
圆柱形 Cylindrical type M8



外壳材料: 金属 (黄铜镀铬) Shell material: Metal (Chrome plated brass)
 外观尺寸: 螺纹M8 Appearance size: The screw thread M8
 防护等级: IP67 Protection grade: IP67
 环境温度: -25°C~+70°C Ambient temperature: -25 °C to +70 °C
 符合标准: GB/T14048.10 Standard: GB/T14048.10

工作形式 Work form	型号 Type	Sn	安装方式 Installation				电源电压 Power voltage			输出 Output					保护 Protect	连接方式 Connection method							
			感应距离mm Induction distance	齐平安装 Flush mounting	非齐平安装 Non-flush mounting	螺纹安装 Screw installation	10-30VDC	90-250VAC	20-250VAC	NPN	PNP	常开 NO	常闭 NC	LED 指示, 红色 LED indicator, Red		环形LED 指示, 黄色 Annular LED indicator, Yellow	LED 指示, 黄色 LED indicator, Yellow	最大负载电流mA Maximum load current	开关频率Hz Switching frequency	反极性保护 Reverse polarity protection	短路保护 Short circuit protection	电缆(2m) Cable	连接器 Connector
DC 2线 DC 2 line	LM08F02ADA	2		●	●	●						●			●	100	800	●			●		
	LM08F02ADB	2		●	●	●						●			●	100	800	●			●		
	LM08F02ADA-E1	2		●	●	●						●			●	100	800	●			●		
	LM08F02ADB-E1	2		●	●	●						●			●	100	800	●			●		
	LM08F02ADA-E2	2		●	●	●						●			●	100	800	●			●		
	LM08F02ADB-E2	2		●	●	●						●			●	100	800	●			●		
DC 3线 DC 3 line	LM08F02ANA	2		●	●	●			●					●	100	1K	●	●	●				
	LM08F02ANB	2		●	●	●			●					●	100	1K	●	●	●				
	LM08F02APA	2		●	●	●			●	●				●	100	1K	●	●	●				
	LM08F02APB	2		●	●	●			●	●				●	100	1K	●	●	●				
	LM08F02ANA-E1	2		●	●	●			●	●				●	100	1K	●	●	●			●	
	LM08F02ANB-E1	2		●	●	●			●	●				●	100	1K	●	●	●			●	
	LM08F02APA-E1	2		●	●	●			●	●				●	100	1K	●	●	●			●	
	LM08F02APB-E1	2		●	●	●			●	●				●	100	1K	●	●	●			●	
	LM08F02ANA-E2	2		●	●	●			●	●				●	100	1K	●	●	●			●	
	LM08F02ANB-E2	2		●	●	●			●	●				●	100	1K	●	●	●			●	
DC 4线 DC 4 line	LM08F02APA-E2	2		●	●	●			●	●				●	100	1K	●	●	●			●	
	LM08F02APB-E2	2		●	●	●			●	●				●	100	1K	●	●	●			●	

外形尺寸 Dimensions



检测范围 Sensing range 2mm

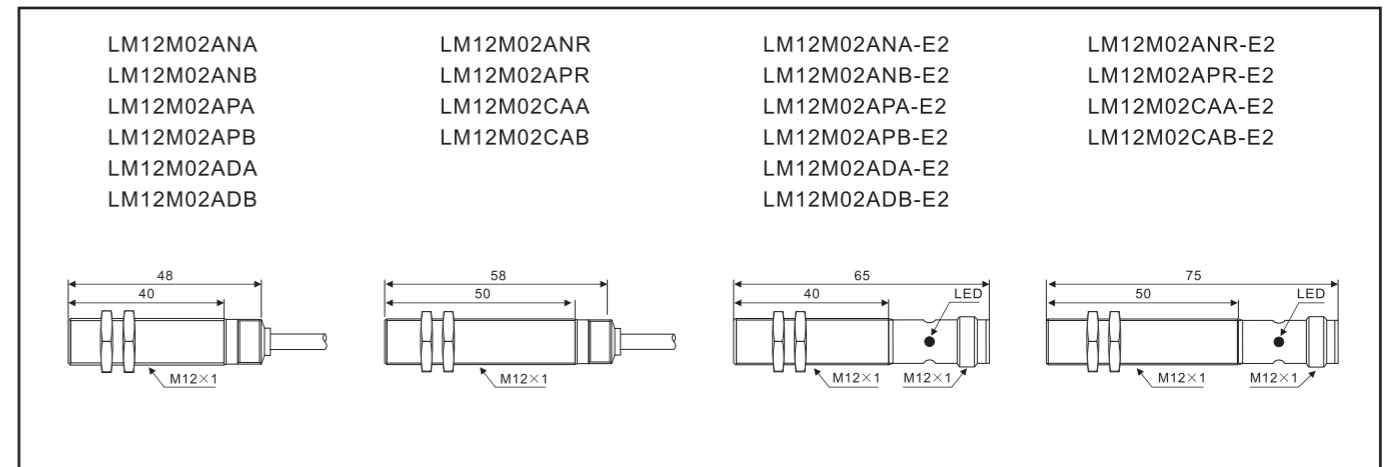
圆柱形 Cylindrical type M12



外壳材料: 金属 (黄铜镀铬) Shell material: Metal (Chrome plated brass)
 外观尺寸: 螺纹M12 Appearance size: The screw thread M12
 防护等级: IP67 Protection grade: IP67
 环境温度: -25°C~+70°C Ambient temperature: -25 °C to +70 °C
 符合标准: GB/T14048.10 Standard: GB/T14048.10

工作形式 Work form	型号 Type	Sn	安装方式 Installation				电源电压 Power voltage			输出 Output					保护 Protect	连接方式 Connection method							
			感应距离mm Induction distance	齐平安装 Flush mounting	非齐平安装 Non-flush mounting	螺纹安装 Screw installation	10-30VDC	90-250VAC	20-250VAC	NPN	PNP	常开 NO	常闭 NC	LED 指示, 红色 LED indicator, Red		环形LED 指示, 黄色 Annular LED indicator, Yellow	LED 指示, 黄色 LED indicator, Yellow	最大负载电流mA Maximum load current	开关频率Hz Switching frequency	反极性保护 Reverse polarity protection	短路保护 Short circuit protection	电缆(2m) Cable	连接器 Connector
DC 2线 DC 2 line	LM12M02ADA	2		●	●	●								●	200	1K	●	●	●				
	LM12M02ADB	2		●	●	●								●	200	1K	●	●	●				
	LM12M02ADA-E2	2		●	●	●							●	●	200	1K	●	●	●			●	
	LM12M02ADB-E2	2		●	●	●							●	●	200	1K	●	●	●			●	
DC 3线 DC 3 line	LM12M02ANA	2		●	●	●			●					●	200	2K	●	●	●				
	LM12M02ANB	2		●	●	●			●					●	200	2K	●	●	●				
	LM12M02APA	2		●	●	●			●	●				●	200	2K	●	●	●				
	LM12M02ANA-E2	2		●	●	●			●	●				●	200	2K	●	●	●			●	
	LM12M02ANB-E2	2		●	●	●			●	●				●	200	2K	●	●	●			●	
	LM12M02APB-E2	2		●	●	●			●	●				●	200	2K	●	●	●			●	
DC 4线 DC 4 line	LM12M02ANR	2		●	●	●			●	●				●	200	2K	●	●	●				
	LM12M02APR	2		●	●	●			●	●				●	200	2K	●	●	●				
	LM12M02ANR-E2	2		●	●	●			●	●				●	200	2K	●	●	●			●	
	LM12M02APR-E2	2		●	●	●			●	●				●	200	2K	●	●	●			●	
AC 2线 AC 2 line	LM12M02CAA	2		●	●	●			●					●	200	20						●	
	LM12M02CAB	2		●	●	●			●					●	200	20						●	
	LM12M02CAA-E2	2		●	●	●			●					●	200	20						●	
	LM12M02CAB-E2	2		●	●	●			●					●	200	20						●	

外形尺寸 Dimensions



检测范围 Sensing range 4mm

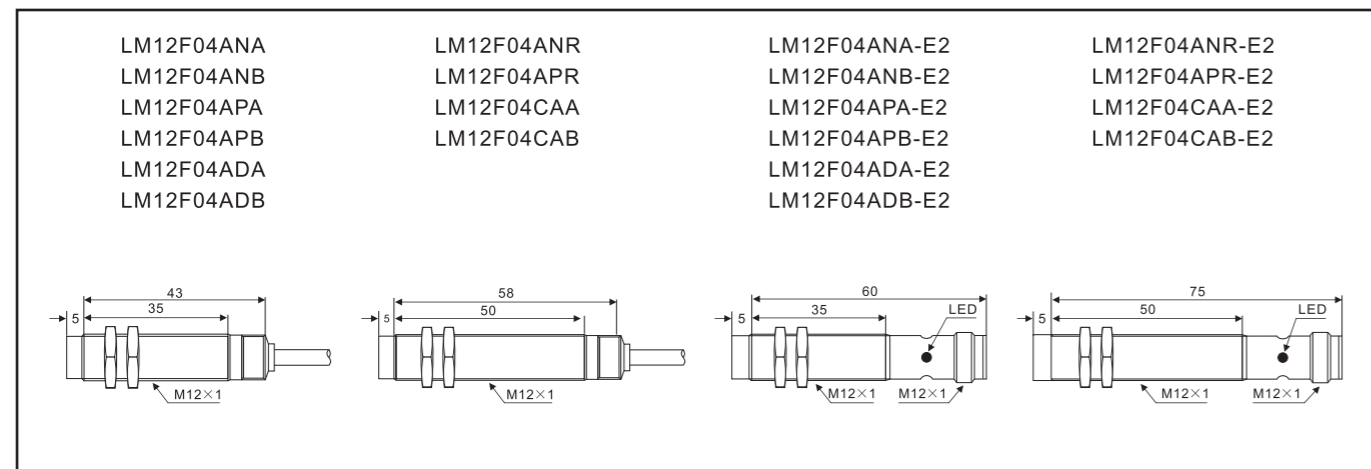
圆柱形 Cylindrical type M12



外壳材料: 金属 (黄铜镀铬) Shell material: Metal (Chrome plated brass)
 外观尺寸: 螺纹M12 Appearance size: The screw thread M12
 防护等级: IP67 Protection grade: IP67
 环境温度: -25°C~+70°C Ambient temperature: -25 °C to +70 °C
 符合标准: GB/T14048.10 Standard: GB/T14048.10

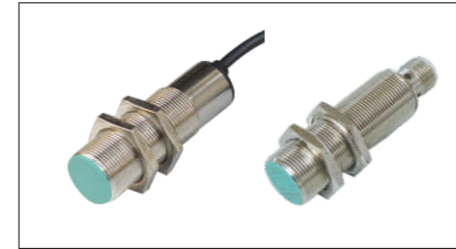
工作形式 Work form	型号 Type	Sn	安装方式 Installation		电源电压 Power voltage			输出 Output				保护 Protect		连接方式 Connection method								
			感应距离mm Induction distance	齐平安装 Flush mounting	非齐平安装 Non-flush mounting	螺纹安装 Screw installation	10-30VDC	90-250VAC	20-250VAC	NPN	PNP	常开 NO	常闭 NC	LED 指示, 红色 LED indicator, Red	环形LED 指示, 黄色 Annular LED indicator, Yellow	LED 指示, 黄色 LED indicator, Yellow	最大负载电流mA Maximum load current	开关频率Hz Switching frequency	反极性保护 Reverse polarity protection	短路保护 Short circuit protection	电缆(2m) Cable	连接器 Connector
DC 2线 DC 2 line	LM12F04ADA	4	●	●	●						●		●	●	●	200	800	●	●	●	●	
	LM12F04ADB	4	●	●	●						●		●	●	●	200	800	●	●	●	●	
	LM12F04ADA-E2	4	●	●	●						●		●	●	●	200	800	●	●	●	●	●
	LM12F04ADB-E2	4	●	●	●						●		●	●	●	200	800	●	●	●	●	●
DC 3线 DC 3 line	LM12F04ANA	4	●	●	●				●		●		●	●	●	200	2K	●	●	●	●	
	LM12F04ANB	4	●	●	●				●		●		●	●	●	200	2K	●	●	●	●	
	LM12F04APA	4	●	●	●				●	●	●		●	●	●	200	2K	●	●	●	●	
	LM12F04APB	4	●	●	●				●	●	●		●	●	●	200	2K	●	●	●	●	
	LM12F04ANA-E2	4	●	●	●				●		●		●	●	●	200	2K	●	●	●	●	●
	LM12F04ANB-E2	4	●	●	●				●		●		●	●	●	200	2K	●	●	●	●	●
	LM12F04APA-E2	4	●	●	●				●	●	●		●	●	●	200	2K	●	●	●	●	●
	LM12F04APB-E2	4	●	●	●				●	●	●		●	●	●	200	2K	●	●	●	●	●
DC 4线 DC 4 line	LM12F04ANR	4	●	●	●				●		●		●	●	●	200	2K	●	●	●	●	
	LM12F04APR	4	●	●	●				●		●		●	●	●	200	2K	●	●	●	●	
	LM12F04ANR-E2	4	●	●	●				●		●		●	●	●	200	2K	●	●	●	●	●
	LM12F04APR-E2	4	●	●	●				●		●		●	●	●	200	2K	●	●	●	●	●
AC 2线 AC 2 line	LM12F04CAA	4	●	●	●		●				●		●	●	●	200	20				●	
	LM12F04CAB	4	●	●	●		●				●		●	●	●	200	20				●	
	LM12F04CAA-E2	4	●	●	●		●				●		●	●	●	200	20				●	●
	LM12F04CAB-E2	4	●	●	●		●				●		●	●	●	200	20				●	●

外形尺寸 Dimensions



检测范围 Sensing range 5mm

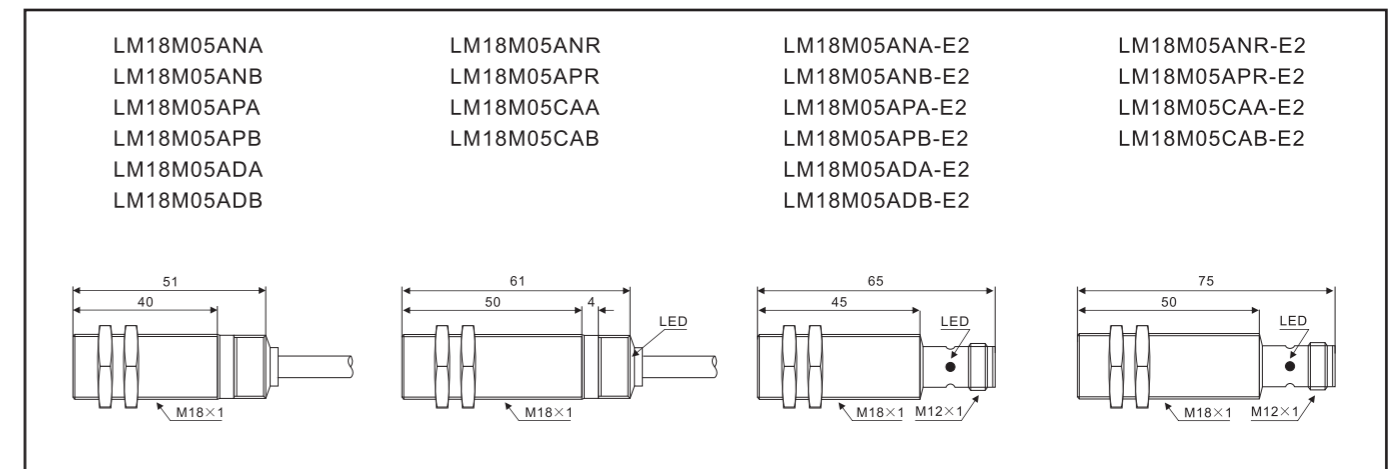
圆柱形 Cylindrical type M18



外壳材料: 金属 (黄铜镀铬) Shell material: Metal (Chrome plated brass)
 外观尺寸: 螺纹M18 Appearance size: The screw thread M18
 防护等级: IP67 Protection grade: IP67
 环境温度: -25°C~+70°C Ambient temperature: -25 °C to +70 °C
 符合标准: GB/T14048.10 Standard: GB/T14048.10

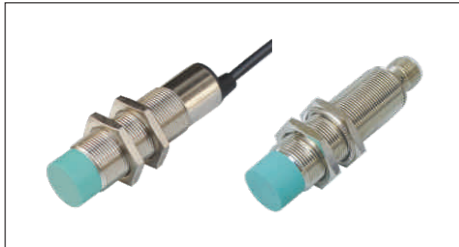
工作形式 Work form	型号 Type	Sn	安装方式 Installation		电源电压 Power voltage			输出 Output				保护 Protect		连接方式 Connection method								
			感应距离mm Induction distance	齐平安装 Flush mounting	非齐平安装 Non-flush mounting	螺纹安装 Screw installation	10-30VDC	90-250VAC	20-250VAC	NPN	PNP	常开 NO	常闭 NC	LED 指示, 红色 LED indicator, Red	环形LED 指示, 黄色 Annular LED indicator, Yellow	LED 指示, 黄色 LED indicator, Yellow	最大负载电流mA Maximum load current	开关频率Hz Switching frequency	反极性保护 Reverse polarity protection	短路保护 Short circuit protection	电缆(2m) Cable	连接器 Connector
DC 2线 DC 2 line	LM18M05ADA	5	●	●	●						●		●	●	●	200	800	●	●	●	●	
	LM18M05ADB	5	●	●	●						●		●	●	●	200	800	●	●	●	●	
	LM18M05ADA-E2	5	●	●	●						●		●	●	●	200	800	●	●	●	●	●
	LM18M05ADB-E2	5	●	●	●						●		●	●	●	200	800	●	●	●	●	●
DC 3线 DC 3 line	LM18M05ANA	5	●	●	●				●		●		●	●	●	200	1K	●	●	●	●	
	LM18M05ANB	5	●	●	●				●		●		●	●	●	200	1K	●	●	●	●	
	LM18M05APA	5	●	●	●				●	●	●		●	●	●	200	1K	●	●	●	●	
	LM18M05APB	5	●	●	●				●	●	●		●	●	●	200	1K	●	●	●	●	
	LM18M05ANA-E2	5	●	●	●				●		●		●	●	●	200	1K	●	●	●	●	●
	LM18M05ANB-E2	5	●	●	●				●		●		●	●	●	200	1K	●	●	●	●	●
	LM18M05APA-E2	5	●	●	●				●	●	●		●	●	●	200	1K	●	●	●	●	●
	LM18M05APB-E2	5	●	●	●				●	●	●		●	●	●	200	1K	●	●	●	●	●
DC 4线 DC 4 line	LM18M05ANR	5	●	●	●				●		●		●	●	●	200	1K	●	●	●	●	
	LM18M05APR	5	●	●	●				●		●		●	●	●	200	1K	●	●	●	●	
	LM18M05ANR-E2	5	●	●	●				●		●		●	●	●	200	1K	●	●	●	●	●
	LM18M05APR-E2	5	●	●	●				●		●		●	●	●	200	1K	●	●	●	●	●
AC 2线 AC 2 line	LM18M05CAA	5	●	●	●		●				●		●	●	●	200	20				●	
	LM18M05CAB	5	●	●	●		●				●		●	●	●	200	20				●	
	LM18M05CAA-E2	5	●	●	●		●				●		●	●	●	200	20				●	●
	LM18M05CAB-E2	5	●	●	●		●				●		●	●	●	200	20				●	●

外形尺寸 Dimensions



检测范围 Sensing range 8mm

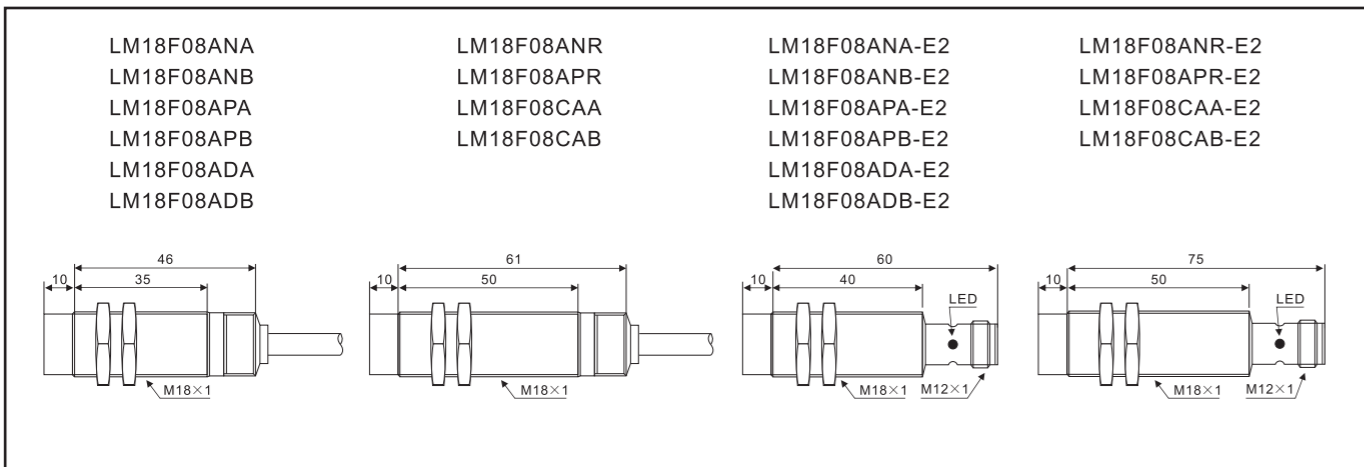
圆柱形 Cylindrical type M18



外壳材料: 金属 (黄铜镀络) Shell material: Metal (Chrome plated brass)
 外观尺寸: 螺纹M18 Appearance size: The screw thread M18
 防护等级: IP67 Protection grade: IP67
 环境温度: -25°C+70°C Ambient temperature: - 25 °C to + 70 °C
 符合标准:GB/T14048.10 Standard: GB/T14048.10

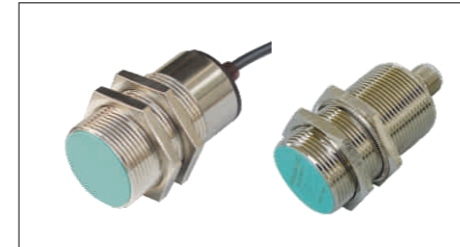
工作形式 Work form	型号 Type	Sn	安装方式 Installation			电源电压 Power voltage			输出 Output		保护 Protect	连接方式 Connection method														
			感应距离mm Induction distance	齐平安装 Flush mounting	非齐平安装 Non-flush mounting	螺纹安装 Screw installation	10-30VDC	90-250VAC	20-250VAC	NPN			PNP	常开 NO	常闭 NC	LED 指示, 红色 LED indicator, Red	环形LED 指示, 黄色 Annular LED indicator, Yellow	LED 指示, 黄色 LED indicator, Yellow	最大负载电流mA Maximum load current	开关频率Hz Switching frequency	反极性保护 Reverse polarity protection	短路保护 Short circuit protection	电缆(2m) Cable	连接器 Connector		
DC 2线 DC 2 line	LM18F08ADA	8		●										●			200	500								
	LM18F08ADB	8		●										●			200	500								
	LM18F08ADA-E2	8		●										●			200	500								
	LM18F08ADB-E2	8		●										●			200	500								
DC 3线 DC 3 line	LM18F08ANA	8		●				●						●			200	1K								
	LM18F08ANB	8		●				●						●			200	1K								
	LM18F08APA	8		●				●	●					●			200	1K								
	LM18F08APB	8		●				●	●					●			200	1K								
	LM18F08ANA-E2	8		●				●						●			200	1K								
	LM18F08ANB-E2	8		●				●						●			200	1K								
	LM18F08APA-E2	8		●				●	●					●			200	1K								
	LM18F08APB-E2	8		●				●	●					●			200	1K								
DC 4线 DC 4 line	LM18F08ANR	8		●				●						●			200	1K								
	LM18F08APR	8		●				●	●					●			200	1K								
	LM18F08ANR-E2	8		●				●						●			200	1K								
	LM18F08APR-E2	8		●				●	●					●			200	1K								
AC 2线 AC 2 line	LM18F08CAA	8		●										●			200	20								
	LM18F08CAB	8		●										●			200	20								
	LM18F08CAA-E2	8		●										●			200	20								
	LM18F08CAB-E2	8		●										●			200	20								

外形尺寸 Dimensions



检测范围 Sensing range 10mm

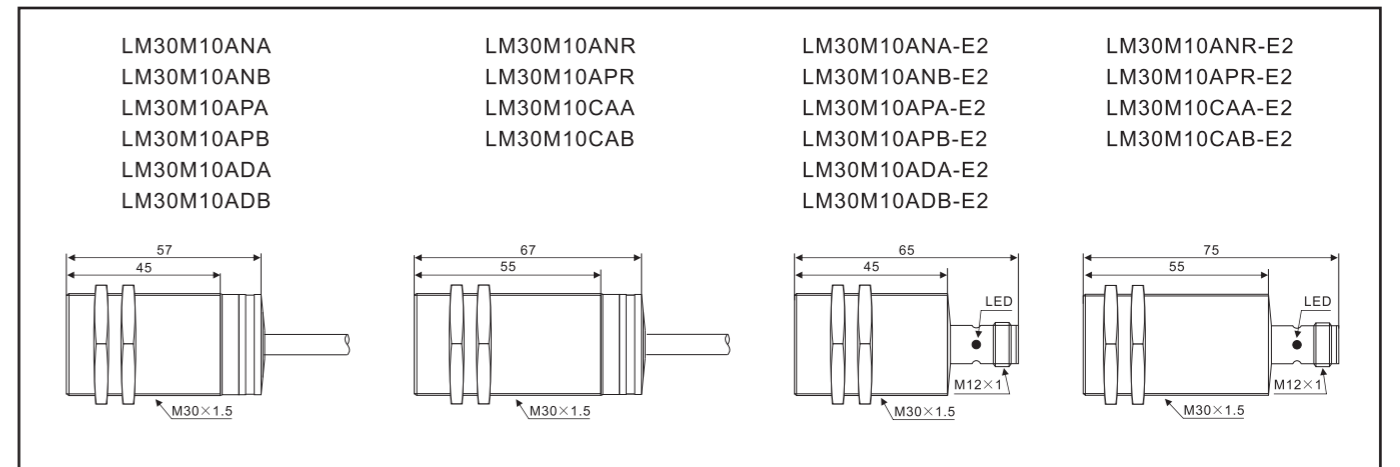
圆柱形 Cylindrical type M30



外壳材料: 金属 (黄铜镀络) Shell material: Metal (Chrome plated brass)
 外观尺寸: 螺纹M30 Appearance size: The screw thread M30
 防护等级: IP67 Protection grade: IP67
 环境温度: -25°C+70°C Ambient temperature: - 25 °C to + 70 °C
 符合标准:GB/T14048.10 Standard: GB/T14048.10

工作形式 Work form	型号 Type	Sn	安装方式 Installation			电源电压 Power voltage			输出 Output		保护 Protect	连接方式 Connection method														
			感应距离mm Induction distance	齐平安装 Flush mounting	非齐平安装 Non-flush mounting	螺纹安装 Screw installation	10-30VDC	90-250VAC	20-250VAC	NPN			PNP	常开 NO	常闭 NC	LED 指示, 红色 LED indicator, Red	环形LED 指示, 黄色 Annular LED indicator, Yellow	LED 指示, 黄色 LED indicator, Yellow	最大负载电流mA Maximum load current	开关频率Hz Switching frequency	反极性保护 Reverse polarity protection	短路保护 Short circuit protection	电缆(2m) Cable	连接器 Connector		
DC 2线 DC 2 line	LM30M10ADA	10		●										●			200	500								
	LM30M10ADB	10		●										●			200	500								
	LM30M10ADA-E2	10		●										●			200	500								
	LM30M10ADB-E2	10		●										●			200	500								
DC 3线 DC 3 line	LM30M10ANA	10		●				●						●			200	800								
	LM30M10ANB	10		●				●						●			200	800								
	LM30M10APA	10		●				●	●					●			200	800								
	LM30M10APB	10		●				●	●					●			200	800								
	LM30M10ANA-E2	10		●				●						●			200	800								
	LM30M10ANB-E2	10		●				●						●			200	800								
	LM30M10APA-E2	10		●				●	●					●			200	800								
	LM30M10APB-E2	10		●				●	●					●			200	800								
DC 4线 DC 4 line	LM30M10ANR	10		●				●						●			200	800								
	LM30M10APR	10		●				●	●					●			200	800								
	LM30M10ANR-E2	10		●				●						●			200	800								
	LM30M10APR-E2	10		●				●	●					●			200	800								
AC 2线 AC 2 line	LM30M10CAA	10		●										●			200	20								
	LM30M10CAB	10		●										●			200	20								
	LM30M10CAA-E2	10		●										●			200	20								
	LM30M10CAB-E2	10		●										●			200	20								

外形尺寸 Dimensions



检测范围 Sensing range 15mm

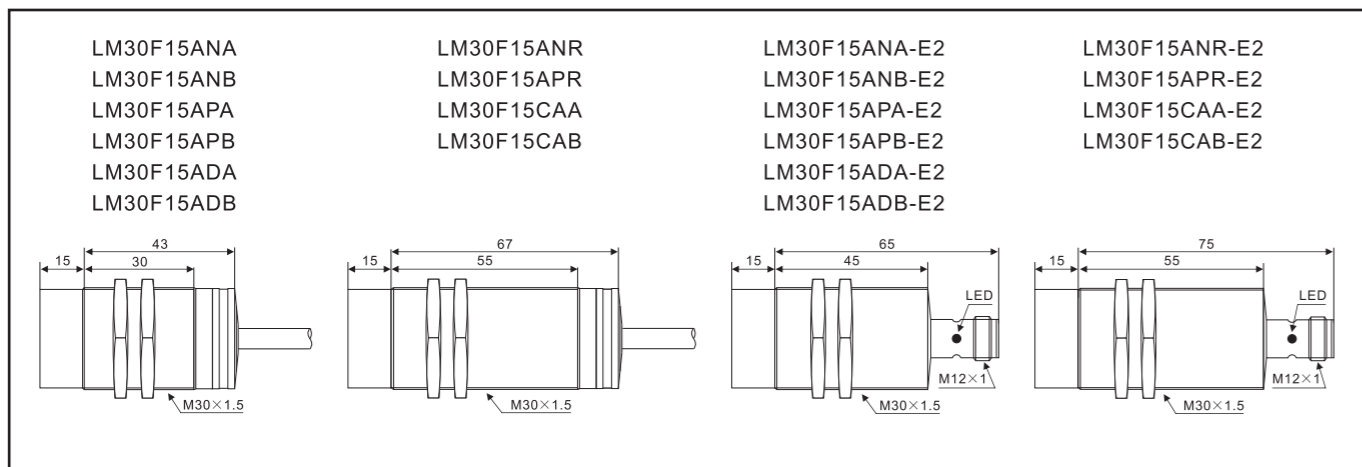
圆柱形 Cylindrical type M30



外壳材料: 金属 (黄铜镀层) Shell material: Metal (Chrome plated brass)
 外观尺寸: 螺纹M30 Appearance size: The screw thread M30
 防护等级: IP67 Protection grade: IP67
 环境温度: -25°C~+70°C Ambient temperature: -25 °C to +70 °C
 符合标准: GB/T14048.10 Standard: GB/T14048.10

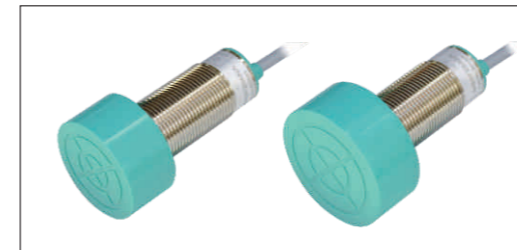
工作形式 Work form	型号 Type	Sn	安装方式 Installation	电源电压 Power voltage	输出 Output				保护 Protect	连接方式 Connection method
					感应距离mm Induction distance	常开 NO	常闭 NC	LED指示, 红色 LED indicator, Red		
DC 2线 DC 2 line	LM30F15ADA	15	●	●	●	●	●	●	●	●
	LM30F15ADB	15	●	●	●	●	●	●	●	●
	LM30F15ADA-E2	15	●	●	●	●	●	●	●	●
	LM30F15ADB-E2	15	●	●	●	●	●	●	●	●
DC 3线 DC 3 line	LM30F15ANA	15	●	●	●	●	●	●	●	●
	LM30F15ANB	15	●	●	●	●	●	●	●	●
	LM30F15APA	15	●	●	●	●	●	●	●	●
	LM30F15APB	15	●	●	●	●	●	●	●	●
	LM30F15ANA-E2	15	●	●	●	●	●	●	●	●
	LM30F15ANB-E2	15	●	●	●	●	●	●	●	●
	LM30F15APA-E2	15	●	●	●	●	●	●	●	●
	LM30F15APB-E2	15	●	●	●	●	●	●	●	●
DC 4线 DC 4 line	LM30F15ANR	15	●	●	●	●	●	●	●	●
	LM30F15APR	15	●	●	●	●	●	●	●	●
	LM30F15ANR-E2	15	●	●	●	●	●	●	●	●
	LM30F15APR-E2	15	●	●	●	●	●	●	●	●
AC 2线 AC 2 line	LM30F15CAA	15	●	●	●	●	●	●	●	●
	LM30F15CAB	15	●	●	●	●	●	●	●	●
	LM30F15CAA-E2	15	●	●	●	●	●	●	●	●
	LM30F15CAB-E2	15	●	●	●	●	●	●	●	●

外形尺寸 Dimensions



检测范围 Sensing range 20-25mm

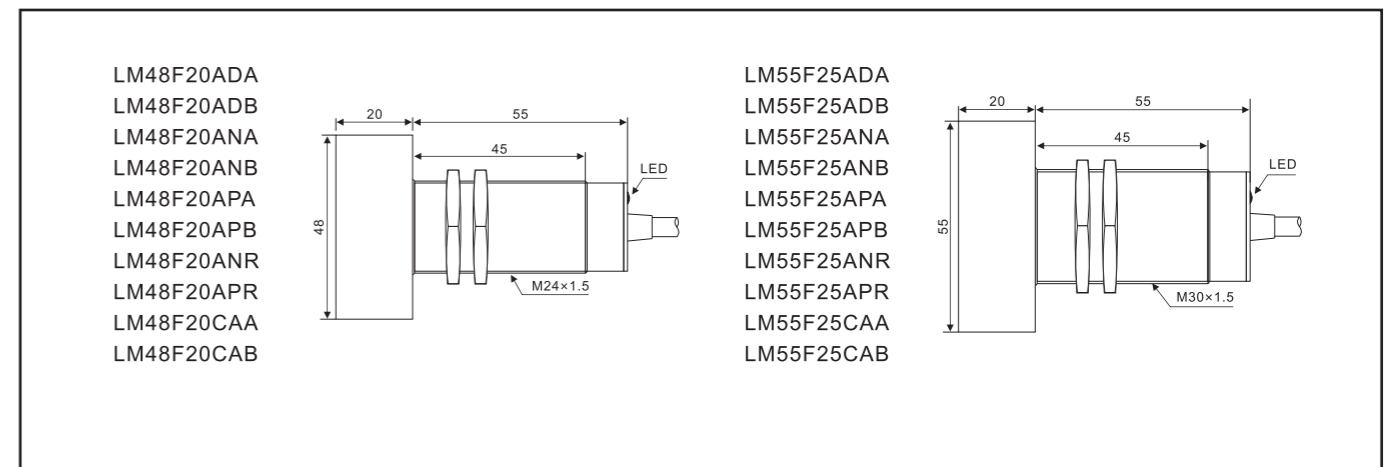
圆柱形 cylindrical type M24



外壳材料: 塑料PBT/金属 (黄铜镀层) Shell material: Plastic(PBT)
 Metal (Chrome plated brass)
 外观尺寸: 螺纹M24 Appearance size: The screw thread M24
 防护等级: IP67 Protection grade: IP67
 环境温度: -25°C~+70°C Ambient temperature: -25 °C to +70 °C
 符合标准: GB/T14048.10 Standard: GB/T14048.10

工作形式 Work form	型号 Type	Sn	安装方式 Installation	电源电压 Power voltage	输出 Output				保护 Protect	连接方式 Connection method
					感应距离mm Induction distance	常开 NO	常闭 NC	LED指示, 红色 LED indicator, Red		
DC 2线 DC 2 line	LM48F20ADA	20	●	●	●	●	●	●	●	●
	LM48F20ADB	20	●	●	●	●	●	●	●	●
	LM55F25ADA	25	●	●	●	●	●	●	●	●
	LM55F25ADB	25	●	●	●	●	●	●	●	●
DC 3线 DC 3 line	LM48F20ANA	20	●	●	●	●	●	●	●	●
	LM48F20ANB	20	●	●	●	●	●	●	●	●
	LM48F20APA	20	●	●	●	●	●	●	●	●
	LM48F20APB	20	●	●	●	●	●	●	●	●
	LM55F25ANA	25	●	●	●	●	●	●	●	●
	LM55F25ANB	25	●	●	●	●	●	●	●	●
	LM55F25APA	25	●	●	●	●	●	●	●	●
	LM55F25APB	25	●	●	●	●	●	●	●	●
DC 4线 DC 4 line	LM48F20ANR	20	●	●	●	●	●	●	●	●
	LM48F20APR	20	●	●	●	●	●	●	●	●
	LM55F25ANR	25	●	●	●	●	●	●	●	●
	LM55F25APR	25	●	●	●	●	●	●	●	●
AC 2线 AC 2 line	LM48F20CAA	20	●	●	●	●	●	●	●	●
	LM48F20CAB	20	●	●	●	●	●	●	●	●
	LM55F25CAA	25	●	●	●	●	●	●	●	●
	LM55F25CAB	25	●	●	●	●	●	●	●	●

外形尺寸 Dimensions



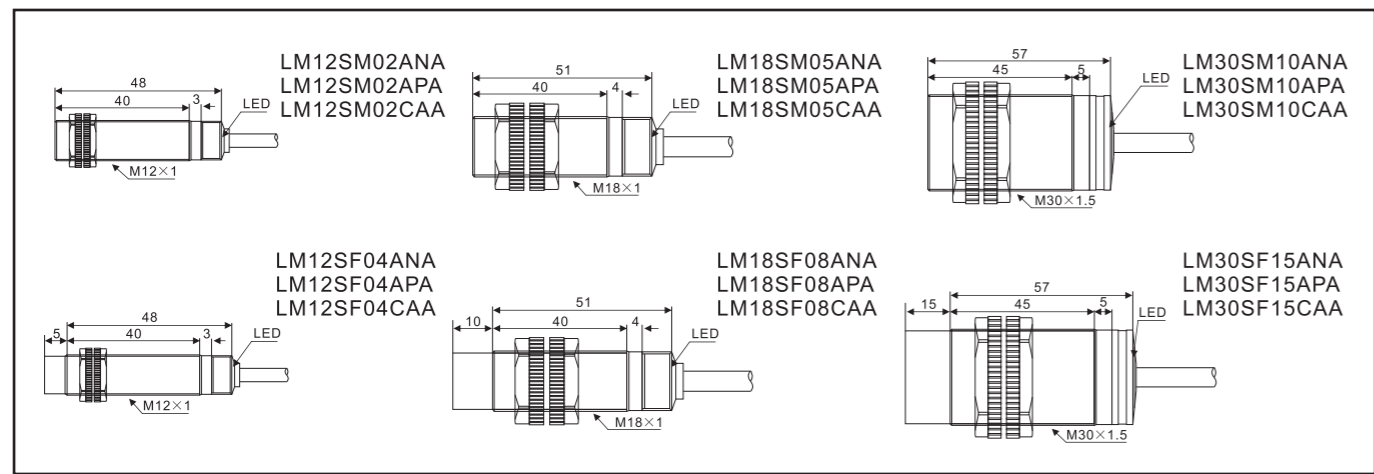
检测范围 Sensing range 2-15mm



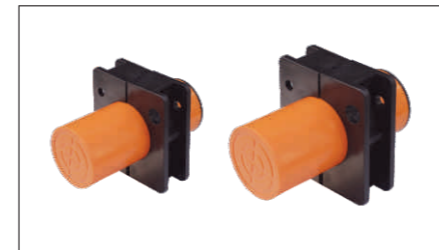
外壳材料: 塑料(PBT) Shell material: Plastic (PBT)
 外观尺寸: 螺纹M12、M18、M30 Appearance size: Screw thread M12,18,30
 防护等级: IP67 Protection grade: IP67
 环境温度: -25°C~+70°C Ambient temperature: -25 °C to +70 °C
 符合标准: GB/T14048.10 Standard: GB/T14048.10

工作形式 Work form	型号 Type	Sn	安装方式 Installation	电源电压 Power voltage	输出 Output				保护 Protect	连接方式 Connection method									
					感应距离mm Induction distance	齐平安装 Flush mounting	非齐平安装 Non-flush mounting	螺纹安装 Screw installation			常开 NO	常闭 NC	LED 指示, 红色 LED indicator, Red	环形LED 指示, 黄色 Annular LED indicator, Yellow	LED 指示, 黄色 LED indicator, Yellow	最大负载电流mA Maximum load current	开关频率Hz Switching frequency	反极性保护 Reverse polarity protection	短路保护 Short circuit protection
DC 3线 DC 3 line	LM12SM02ANA	2	●	●	●	●	●	●	●	●	●	●	●	●	●	●	●	●	
	LM12SM02APA	2	●	●	●	●	●	●	●	●	●	●	●	●	●	●	●	●	
	LM12SF04ANA	4	●	●	●	●	●	●	●	●	●	●	●	●	●	●	●	●	
	LM12SF04APA	4	●	●	●	●	●	●	●	●	●	●	●	●	●	●	●	●	
	LM18SM05ANA	5	●	●	●	●	●	●	●	●	●	●	●	●	●	●	●	●	
	LM18SM05APA	5	●	●	●	●	●	●	●	●	●	●	●	●	●	●	●	●	●
	LM18SF08ANA	8	●	●	●	●	●	●	●	●	●	●	●	●	●	●	●	●	●
	LM18SF08APA	8	●	●	●	●	●	●	●	●	●	●	●	●	●	●	●	●	●
	LM30SM10ANA	10	●	●	●	●	●	●	●	●	●	●	●	●	●	●	●	●	●
	LM30SM10APA	10	●	●	●	●	●	●	●	●	●	●	●	●	●	●	●	●	●
	LM30SF15ANA	15	●	●	●	●	●	●	●	●	●	●	●	●	●	●	●	●	●
AC 2线 AC 2 line	LM12SM02CAA	2	●	●	●	●	●	●	●	●	●	●	●	●	●	●	●	●	
	LM12SF04CAA	4	●	●	●	●	●	●	●	●	●	●	●	●	●	●	●	●	
	LM18SM05CAA	5	●	●	●	●	●	●	●	●	●	●	●	●	●	●	●	●	
	LM18SF08CAA	8	●	●	●	●	●	●	●	●	●	●	●	●	●	●	●	●	
	LM30SM10CAA	10	●	●	●	●	●	●	●	●	●	●	●	●	●	●	●	●	
	LM30SF15CAA	15	●	●	●	●	●	●	●	●	●	●	●	●	●	●	●	●	●

外形尺寸 Dimensions



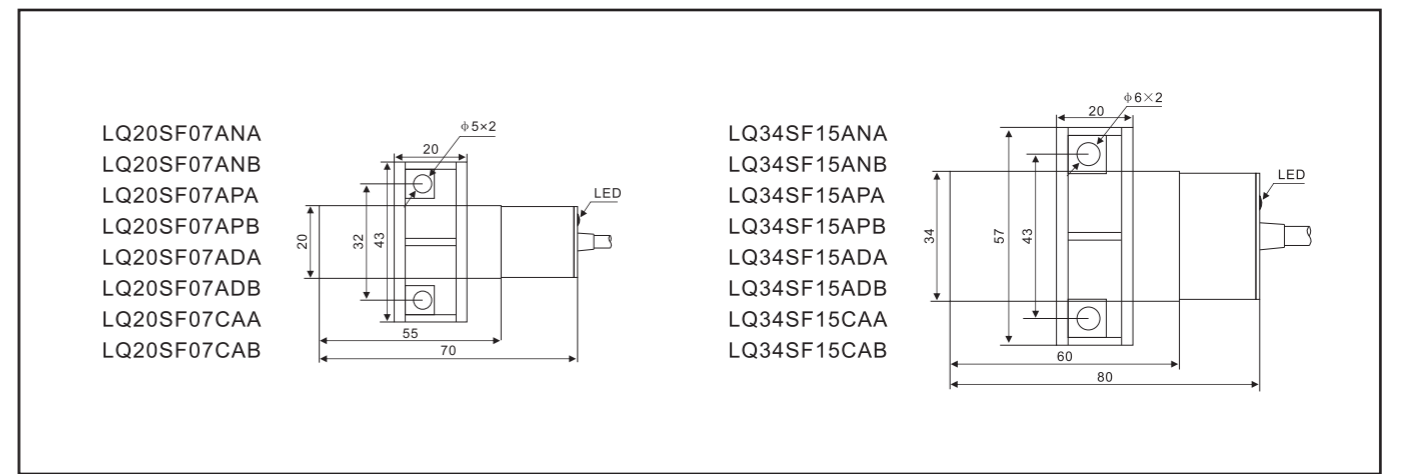
检测范围 Sensing range 7-15mm



外壳材料: 塑料(ABS) Shell material: Plastic (ABS)
 外观尺寸: 光面 φ20、φ34 Appearance size: φ20, φ34
 防护等级: IP67 Protection grade: IP67
 环境温度: -25°C~+70°C Ambient temperature: -25 °C to +70 °C
 符合标准: GB/T14048.10 Standard: GB/T14048.10

工作形式 Work form	型号 Type	Sn	安装方式 Installation	电源电压 Power voltage	输出 Output				保护 Protect	连接方式 Connection method									
					感应距离mm Induction distance	齐平安装 Flush mounting	非齐平安装 Non-flush mounting	螺纹安装 Screw installation			常开 NO	常闭 NC	LED 指示, 红色 LED indicator, Red	环形LED 指示, 黄色 Annular LED indicator, Yellow	LED 指示, 黄色 LED indicator, Yellow	最大负载电流mA Maximum load current	开关频率Hz Switching frequency	反极性保护 Reverse polarity protection	短路保护 Short circuit protection
DC 2线 DC 2 line	LQ20SF07ADA	7	●	●	●	●	●	●	●	●	●	●	●	●	●	●	●	●	
	LQ20SF07ADB	7	●	●	●	●	●	●	●	●	●	●	●	●	●	●	●	●	
	LQ34SF15ADA	15	●	●	●	●	●	●	●	●	●	●	●	●	●	●	●	●	
	LQ34SF15ADB	15	●	●	●	●	●	●	●	●	●	●	●	●	●	●	●	●	
DC 3线 DC 3 line	LQ20SF07ANA	7	●	●	●	●	●	●	●	●	●	●	●	●	●	●	●	●	
	LQ20SF07ANB	7	●	●	●	●	●	●	●	●	●	●	●	●	●	●	●	●	
	LQ20SF07APA	7	●	●	●	●	●	●	●	●	●	●	●	●	●	●	●	●	
	LQ20SF07APB	7	●	●	●	●	●	●	●	●	●	●	●	●	●	●	●	●	
	LQ34SF15ANA	15	●	●	●	●	●	●	●	●	●	●	●	●	●	●	●	●	
	LQ34SF15ANB	15	●	●	●	●	●	●	●	●	●	●	●	●	●	●	●	●	●
	LQ34SF15APA	15	●	●	●	●	●	●	●	●	●	●	●	●	●	●	●	●	●
	LQ34SF15APB	15	●	●	●	●	●	●	●	●	●	●	●	●	●	●	●	●	●
DC 4线 DC 4 line	LQ20SF07ANR	7	●	●	●	●	●	●	●	●	●	●	●	●	●	●	●	●	
	LQ20SF07APR	7	●	●	●	●	●	●	●	●	●	●	●	●	●	●	●	●	
	LQ34SF15ANR	15	●	●	●	●	●	●	●	●	●	●	●	●	●	●	●	●	
	LQ34SF15APR	15	●	●	●	●	●	●	●	●	●	●	●	●	●	●	●	●	
AC 2线 AC 2 line	LQ20SF07CAA	7	●	●	●	●	●	●	●	●	●	●	●	●	●	●	●	●	
	LQ20SF07CAB	7	●	●	●	●	●	●	●	●	●	●	●	●	●	●	●	●	
	LQ34SF15CAA	15	●	●	●	●	●	●	●	●	●	●	●	●	●	●	●	●	
	LQ34SF15CAB	15	●	●	●	●	●	●	●	●	●	●	●	●	●	●	●	●	

外形尺寸 Dimensions



检测范围 Sensing range 2.5mm

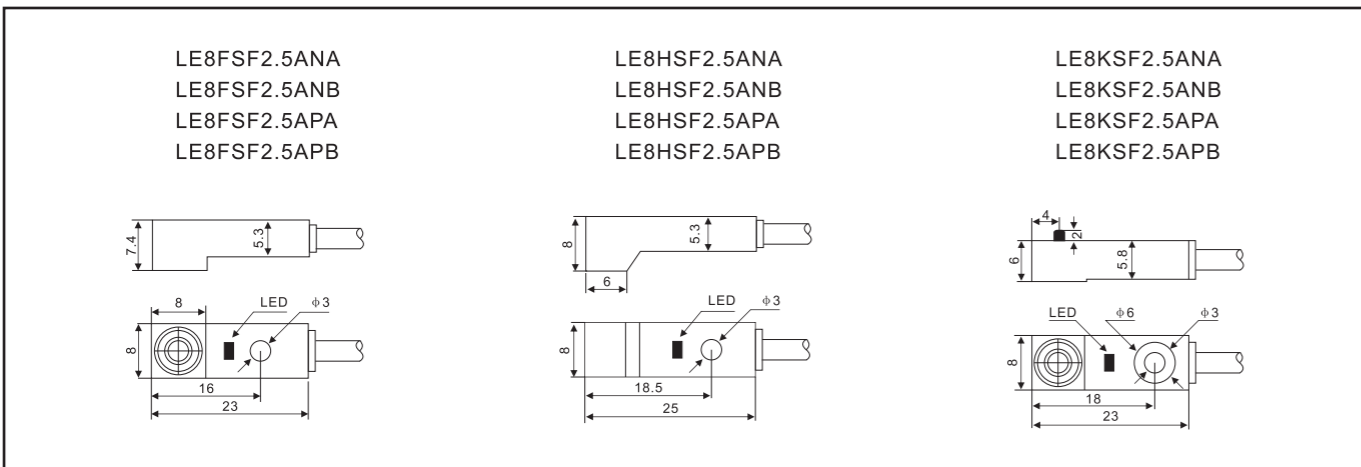
方形 Square type E8F、E8H、E8K



外壳材料: 塑料(PC) Shell material: Plastic (PC)
 外观尺寸: 8×23、8×25、8×23 Appearance size: 8×23, 8×25, 8×23
 防护等级: IP67 Protection grade: IP67
 环境温度: -25°C~+70°C Ambient temperature: -25 °C to +70 °C
 符合标准: GB/T14048.10 Standard: GB/T14048.10

工作形式 Work form	型号 Type	Sn	安装方式 Installation	电源电压 Power voltage	输出 Output			保护 Protect	连接方式 Connection method
					感应距离mm Induction distance	LED指示, 红色 LED indicator, Red	LED指示, 黄色 LED indicator, Yellow		
DC 3线 DC 3 line	LE8FSF2.5ANA	2.5	●	●	●	●	●	●	●
	LE8FSF2.5ANB	2.5	●	●	●	●	●	●	●
	LE8FSF2.5APA	2.5	●	●	●	●	●	●	●
	LE8FSF2.5APB	2.5	●	●	●	●	●	●	●
	LE8HSF2.5ANA	2.5	●	●	●	●	●	●	●
	LE8HSF2.5ANB	2.5	●	●	●	●	●	●	●
	LE8HSF2.5APA	2.5	●	●	●	●	●	●	●
	LE8HSF2.5APB	2.5	●	●	●	●	●	●	●
	LE8KSF2.5ANA	2.5	●	●	●	●	●	●	●
	LE8KSF2.5ANB	2.5	●	●	●	●	●	●	●
	LE8KSF2.5APA	2.5	●	●	●	●	●	●	●
	LE8KSF2.5APB	2.5	●	●	●	●	●	●	●

外形尺寸 Dimensions



检测范围 Sensing range 5-7mm

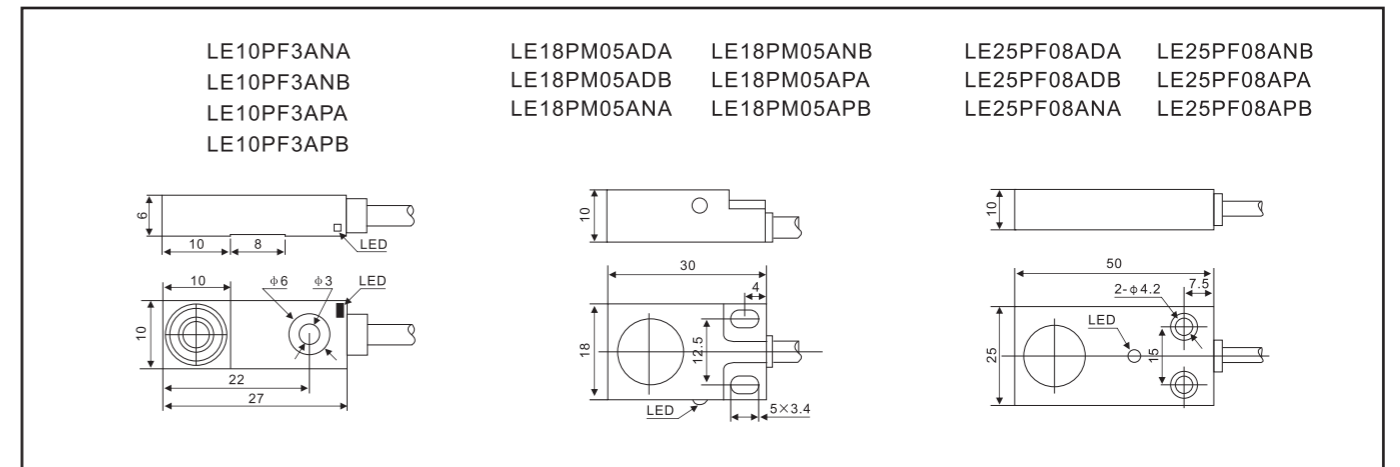
方形 Square type E10P、E18P、E25P



外壳材料: 塑料(PBT) Shell material: Plastic (PBT)
 外观尺寸: 10×27、10×18、10×25 Appearance size: 10×27, 10×18, 10×25
 防护等级: IP67 Protection grade: IP67
 环境温度: -25°C~+70°C Ambient temperature: -25 °C to +70 °C
 符合标准: GB/T14048.10 Standard: GB/T14048.10

工作形式 Work form	型号 Type	Sn	安装方式 Installation	电源电压 Power voltage	输出 Output			保护 Protect	连接方式 Connection method
					感应距离mm Induction distance	LED指示, 红色 LED indicator, Red	LED指示, 黄色 LED indicator, Yellow		
DC 2线 DC 3 line	LE18PM05ADA	5	●	●	●	●	●	●	●
	LE18PM05ADB	5	●	●	●	●	●	●	●
	LE25PF08ADA	8	●	●	●	●	●	●	●
	LE25PF08ADB	8	●	●	●	●	●	●	●
DC 3线 DC 3 line	LE10PF3ANA	3	●	●	●	●	●	●	●
	LE10PF3ANB	3	●	●	●	●	●	●	●
	LE10PF3APA	3	●	●	●	●	●	●	●
	LE10PF3APB	3	●	●	●	●	●	●	●
	LE18PM05ANA	5	●	●	●	●	●	●	●
	LE18PM05ANB	5	●	●	●	●	●	●	●
	LE18PM05APA	5	●	●	●	●	●	●	●
	LE18PM05APB	5	●	●	●	●	●	●	●
	LE25PF08ANA	8	●	●	●	●	●	●	●
	LE25PF08ANB	8	●	●	●	●	●	●	●
	LE25PF08APA	8	●	●	●	●	●	●	●
	LE25PF08APB	8	●	●	●	●	●	●	●

外形尺寸 Dimensions



检测范围 Sensing range 5-8mm

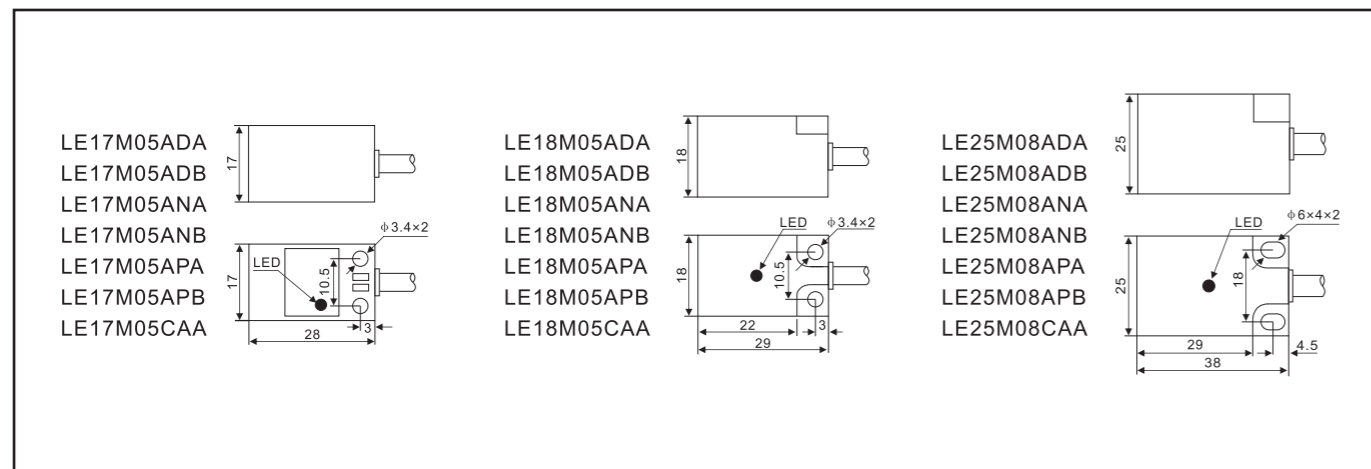
方形 Square type E17、E18、E25



外壳材料: 塑料(PBT) Shell material: Plastic (PBT)
外观尺寸: 17×17、18×18、25×25 Appearance size: 17×17, 18×18, 25×25
防护等级: IP67 Protection grade: IP67
环境温度: -25℃+70℃ Ambient temperature: -25℃ to +70℃
符合标准: GB/T14048.10 Standard: GB/T14048.10

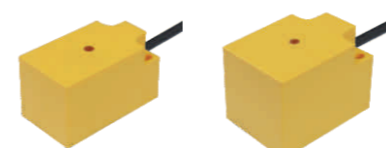
工作形式 Work form	型号 Type	Sn	安装方式 Installation	电源电压 Power voltage	输出 Output		保护 Protect	连接方式 Connection method	
					感应距离mm Induction distance	LED指示, 红色 LED indicator, Red			
DC 2线 DC 2 line	LE17M05ADA	5	●	●	●	●	●	●	●
	LE17M05ADB	5	●	●	●	●	●	●	●
	LE18M05ADA	5	●	●	●	●	●	●	●
	LE18M05ADB	5	●	●	●	●	●	●	●
	LE25M08ADA	8	●	●	●	●	●	●	●
	LE25M08ADB	8	●	●	●	●	●	●	●
DC 3线 DC 3 line	LE17M05ANA	5	●	●	●	●	●	●	●
	LE17M05ANB	5	●	●	●	●	●	●	●
	LE17M05APA	5	●	●	●	●	●	●	●
	LE17M05APB	5	●	●	●	●	●	●	●
	LE18M05ANA	5	●	●	●	●	●	●	●
	LE18M05ANB	5	●	●	●	●	●	●	●
	LE18M05APA	5	●	●	●	●	●	●	●
	LE18M05APB	5	●	●	●	●	●	●	●
	LE25M08ANA	8	●	●	●	●	●	●	●
	LE25M08ANB	8	●	●	●	●	●	●	●
	LE25M08APA	8	●	●	●	●	●	●	●
	LE25M08APB	8	●	●	●	●	●	●	●
AC 2线 AC 2 line	LE17M05CAA	5	●	●	●	●	●	●	●
	LE18M05CAA	5	●	●	●	●	●	●	●
	LE25M08CAA	8	●	●	●	●	●	●	●

外形尺寸 Dimensions



检测范围 Sensing range 15-20mm

方形 Square type E30、E40

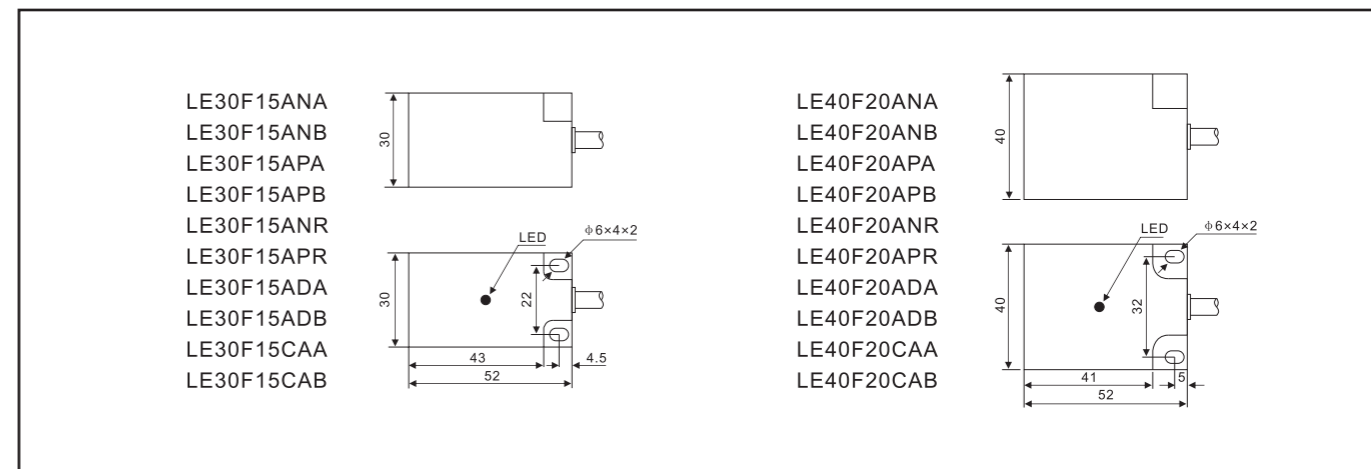


外壳材料: 塑料(PBT) Shell material: Plastic (PBT)
外观尺寸: 30×30、40×40 Appearance size: 30×30, 40×40
防护等级: IP67 Protection grade: IP67
环境温度: -25℃+70℃ Ambient temperature: -25℃ to +70℃
符合标准: GB/T14048.10 Standard: GB/T14048.10

工作形式 Work form	型号 Type	Sn	安装方式 Installation	电源电压 Power voltage	输出 Output		保护 Protect	连接方式 Connection method	
					感应距离mm Induction distance	LED指示, 红色 LED indicator, Red			
DC 2线 DC 2 line	LE30F15ADA	15	●	●	●	●	●	●	●
	LE30F15ADB	15	●	●	●	●	●	●	●
	LE40F20ADA	20	●	●	●	●	●	●	●
	LE40F20ADB	20	●	●	●	●	●	●	●
	LE30F15ANA	15	●	●	●	●	●	●	●
	LE30F15ANB	15	●	●	●	●	●	●	●
DC 3线 DC 3 line	LE30F15APA	15	●	●	●	●	●	●	●
	LE30F15APB	15	●	●	●	●	●	●	●
	LE40F20ANA	20	●	●	●	●	●	●	●
	LE40F20ANB	20	●	●	●	●	●	●	●
	LE40F20APA	20	●	●	●	●	●	●	●
	LE40F20APB	20	●	●	●	●	●	●	●
DC 4线 DC 4 line	LE30F15ANR	15	●	●	●	●	●	●	●
	LE30F15APR	15	●	●	●	●	●	●	●
	LE40F20ANR	20	●	●	●	●	●	●	●
	LE40F20APR	20	●	●	●	●	●	●	●
AC 2线 AC 2 line	LE30F15CAA	15	●	●	●	●	●	●	●
	LE30F15CAB	15	●	●	●	●	●	●	●
	LE40F20CAA	20	●	●	●	●	●	●	●
	LE40F20CAB	20	●	●	●	●	●	●	●

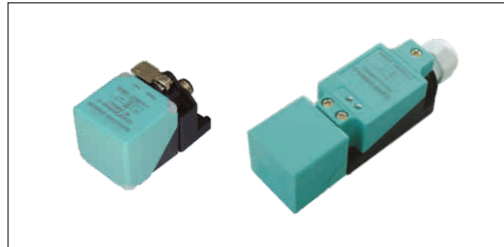
外形尺寸 Dimensions

注：齐平安装：10mm、15mm



检测范围 Sensing range 20mm

组合形 Combined type Z40、EZ40

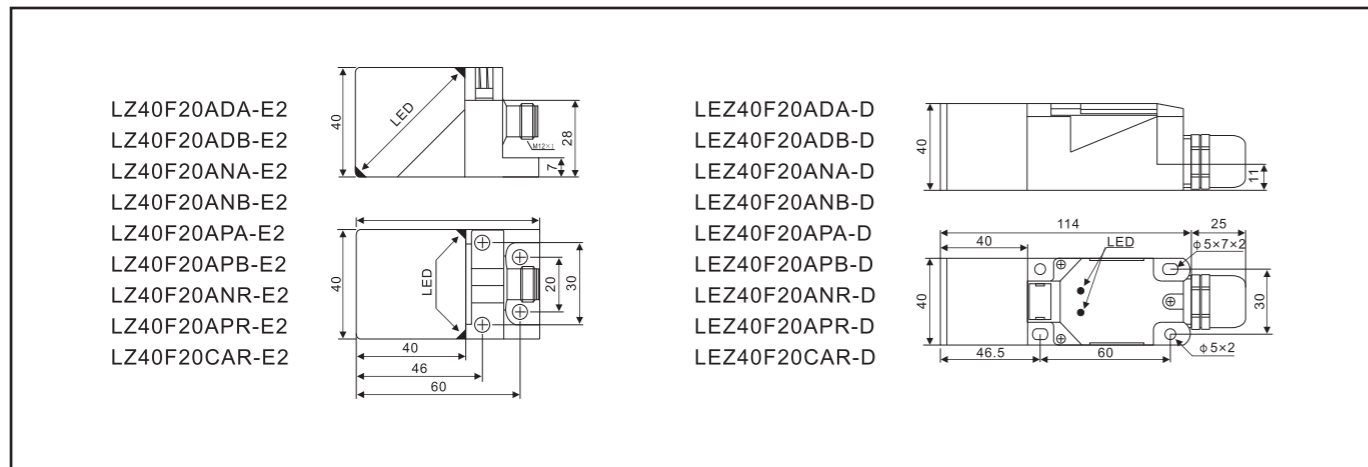


外壳材料: 塑料(PBT) Shell material: Plastic (PBT)
 外观尺寸: 40×40 Appearance size: 40×40
 防护等级: IP67 Protection grade: IP67
 环境温度: -25℃~+70℃ Ambient temperature: -25 ℃ to +70 ℃
 符合标准: GB/T14048.10 Standard: GB/T14048.10

工作形式 Work form	型号 Type	Sn	安装方式 Installation			电源电压 Power voltage			输出 Output				保护 Protect	连接方式 Connection method								
			感应距离mm Induction distance	齐平安装 Flush mounting	非齐平安装 Non-flush mounting	螺纹安装 Screw installation	10-30VDC	90-250VAC	20-250VAC	NPN	PNP	常开 NO		常闭 NC	LED 指示, 红色 LED indicator, Red	环形 LED 指示, 黄色 Annular LED indicator, Yellow	LED 指示, 黄色 LED indicator, Yellow	最大负载电流mA Maximum load current	开关频率Hz Switching frequency	反极性保护 Reverse polarity protection	短路保护 Short circuit protection	电缆(2m) Cable
DC 2线 DC 2 line	LZ40F20ADA-E2	20		●							●	●		●	●	200	200	●	●	●		
	LZ40F20ADB-E2	20		●							●	●		●	●	200	200	●	●	●		
	LEZ40F20ADA-D	20		●							●	●		●	●	200	200	●	●	●		
	LEZ40F20ADB-D	20		●							●	●		●	●	200	200	●	●	●		
DC 3线 DC 3 line	LZ40F20ANA-E2	20		●			●				●	●		●	●	200	300	●	●	●		
	LZ40F20ANB-E2	20		●			●				●	●		●	●	200	300	●	●	●		
	LZ40F20APA-E2	20		●			●		●		●	●		●	●	200	300	●	●	●		
	LZ40F20APB-E2	20		●			●		●		●	●		●	●	200	300	●	●	●		
	LEZ40F20ANA-D	20		●			●		●		●	●		●	●	200	300	●	●	●		
	LEZ40F20ANB-D	20		●			●		●		●	●		●	●	200	300	●	●	●		
	LEZ40F20APA-D	20		●			●		●		●	●		●	●	200	300	●	●	●		
	LEZ40F20APB-D	20		●			●		●		●	●		●	●	200	300	●	●	●		
DC 4线 DC 4 line	LZ40F20ANR-E2	20		●			●				●	●		●	●	200	300	●	●	●		
	LZ40F20APR-E2	20		●			●				●	●		●	●	200	300	●	●	●		
	LEZ40F20ANR-D	20		●			●		●		●	●		●	●	200	300	●	●	●		
	LEZ40F20APR-D	20		●			●		●		●	●		●	●	200	300	●	●	●		
AC 4线 AC 4 line	LZ40F20CAR-E2	20		●			●				●	●		●	●	200	20					●
	LEZ40F20CAR-D	20		●			●				●	●		●	●	200	20					●

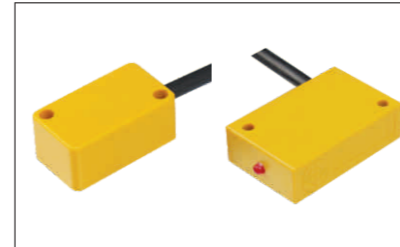
外形尺寸 Dimensions

注: 齐平安装: 15mm



检测范围 Sensing range 2-4mm

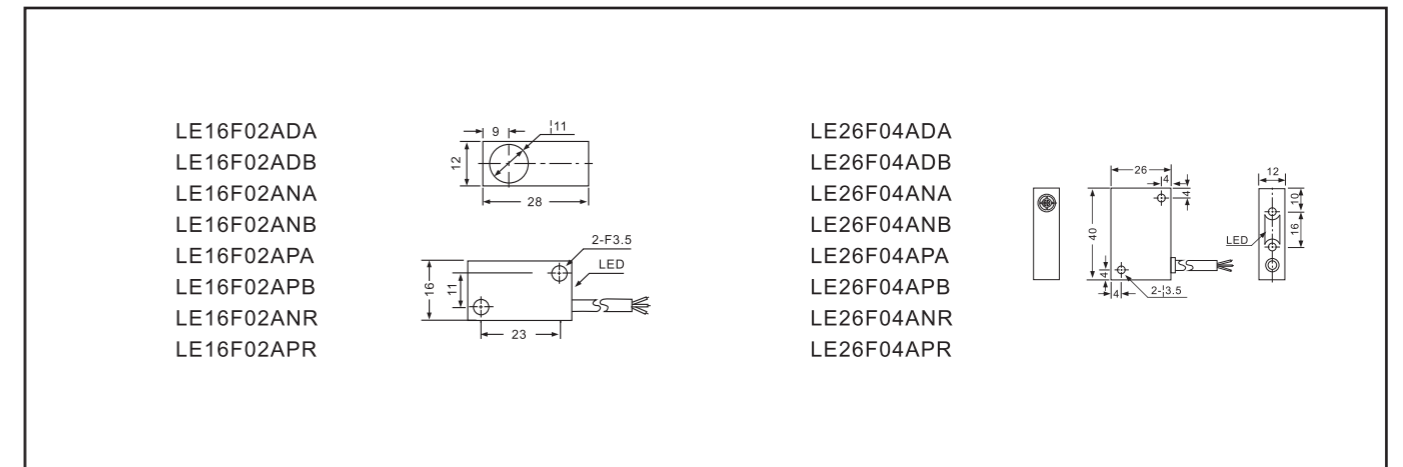
方形 Square type E16、E26



外壳材料: 塑料(PBT) Shell material: Plastic (PBT)
 外观尺寸: 48×48、55×55 Appearance size: 48×48, 55×55
 防护等级: IP67 Protection grade: IP67
 环境温度: -25℃~+70℃ Ambient temperature: -25 ℃ to +70 ℃
 符合标准: GB/T14048.10 Standard: GB/T14048.10

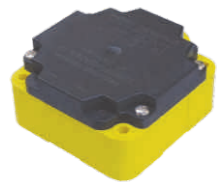
工作形式 Work form	型号 Type	Sn	安装方式 Installation			电源电压 Power voltage			输出 Output				保护 Protect	连接方式 Connection method								
			感应距离mm Induction distance	齐平安装 Flush mounting	非齐平安装 Non-flush mounting	螺纹安装 Screw installation	10-30VDC	90-250VAC	20-250VAC	NPN	PNP	常开 NO		常闭 NC	LED 指示, 红色 LED indicator, Red	环形 LED 指示, 黄色 Annular LED indicator, Yellow	LED 指示, 黄色 LED indicator, Yellow	最大负载电流mA Maximum load current	开关频率Hz Switching frequency	反极性保护 Reverse polarity protection	短路保护 Short circuit protection	电缆(2m) Cable
DC 2线 DC 2 line	LE16F02ADA	2		●							●	●		●	●	200	200	●	●	●		
	LE16F02ADB	2		●							●	●		●	●	200	200	●	●	●		
	LE26F04ADA	4		●							●	●		●	●	200	200	●	●	●		
	LE26F04ADB	4		●							●	●		●	●	200	200	●	●	●		
DC 3线 DC 3 line	LE16F02ANA	2		●			●				●	●		●	●	200	300	●	●	●		
	LE16F02ANB	2		●			●				●	●		●	●	200	300	●	●	●		
	LE16F02APA	2		●			●		●		●	●		●	●	200	300	●	●	●		
	LE16F02APB	2		●			●		●		●	●		●	●	200	300	●	●	●		
	LE26F04ANA	4		●			●		●		●	●		●	●	200	300	●	●	●		
	LE26F04ANB	4		●			●		●		●	●		●	●	200	300	●	●	●		
	LE26F04APA	4		●			●		●		●	●		●	●	200	300	●	●	●		
	LE26F04APB	4		●			●		●		●	●		●	●	200	300	●	●	●		
DC 4线 DC 4 line	LE16F02ANR	2		●			●				●	●		●	●	200	300	●	●	●		
	LE16F02APR	2		●			●				●	●		●	●	200	300	●	●	●		
	LE26F04ANR	4		●			●		●		●	●		●	●	200	300	●	●	●		
	LE26F04APR	4		●			●		●		●	●		●	●	200	300	●	●	●		

外形尺寸 Dimensions



检测范围 Sensing range 40-50mm

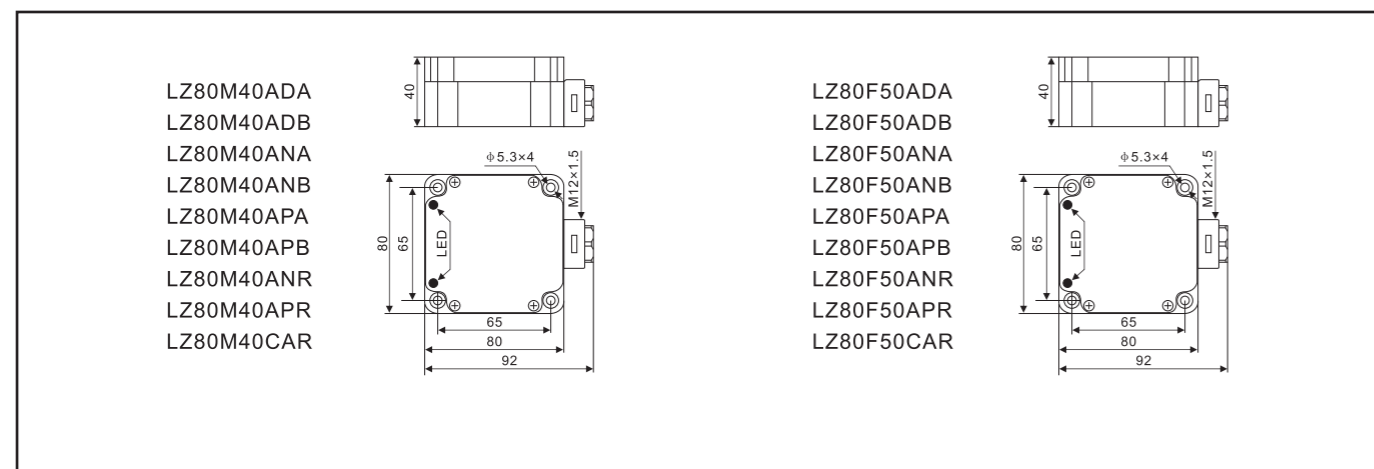
组合形 Combined type Z80



外壳材料: 塑料(PBT) Shell material: Plastic (PBT)
 外观尺寸: 80×80 Appearance size: 80×80
 防护等级: IP67 Protection grade: IP67
 环境温度: -25℃~+70℃ Ambient temperature: -25℃ to +70℃
 符合标准: GB/T14048.10 Standard: GB/T14048.10

工作形式 Work form	型号 Type	Sn	安装方式 Installation	电源电压 Power voltage	输出 Output				保护 Protect	连接方式 Connection method										
					感应距离mm Induction distance	齐平安装 Flush mounting	非齐平安装 Non-flush mounting	螺纹安装 Screw installation			常开 NO	常闭 NC	LED指示, 红色 LED indicator, Red	环形LED指示, 黄色 Annular LED indicator, Yellow	LED指示, 黄色 LED indicator, Yellow	最大负载电流mA Maximum load current	开关频率Hz Switching frequency	反极性保护 Reverse polarity protection	短路保护 Short circuit protection	电缆(2m) Cable
DC 2线 DC 2 line	LZ80M40ADA	40	●	●	●	●	●	●	●	●	●	●	●	●	●	●	●	●	●	●
	LZ80M40ADB	40	●	●	●	●	●	●	●	●	●	●	●	●	●	●	●	●	●	●
	LZ80F50ADA	50	●	●	●	●	●	●	●	●	●	●	●	●	●	●	●	●	●	●
	LZ80F50ADB	50	●	●	●	●	●	●	●	●	●	●	●	●	●	●	●	●	●	●
DC 3线 DC 3 line	LZ80M40ANA	40	●	●	●	●	●	●	●	●	●	●	●	●	●	●	●	●	●	●
	LZ80M40ANB	40	●	●	●	●	●	●	●	●	●	●	●	●	●	●	●	●	●	●
	LZ80M40APA	40	●	●	●	●	●	●	●	●	●	●	●	●	●	●	●	●	●	●
	LZ80M40APB	40	●	●	●	●	●	●	●	●	●	●	●	●	●	●	●	●	●	●
	LZ80F50ANA	50	●	●	●	●	●	●	●	●	●	●	●	●	●	●	●	●	●	●
	LZ80F50ANB	50	●	●	●	●	●	●	●	●	●	●	●	●	●	●	●	●	●	●
	LZ80F50APA	50	●	●	●	●	●	●	●	●	●	●	●	●	●	●	●	●	●	●
	LZ80F50APB	50	●	●	●	●	●	●	●	●	●	●	●	●	●	●	●	●	●	●
DC 4线 DC 4 line	LZ80M40ANR	40	●	●	●	●	●	●	●	●	●	●	●	●	●	●	●	●	●	●
	LZ80M40APR	40	●	●	●	●	●	●	●	●	●	●	●	●	●	●	●	●	●	●
	LZ80F50ANR	50	●	●	●	●	●	●	●	●	●	●	●	●	●	●	●	●	●	●
	LZ80F50APR	50	●	●	●	●	●	●	●	●	●	●	●	●	●	●	●	●	●	●
AC 2线 AC 2 line	LZ80M40CAR	40	●	●	●	●	●	●	●	●	●	●	●	●	●	●	●	●	●	●
	LZ80F50CAR	50	●	●	●	●	●	●	●	●	●	●	●	●	●	●	●	●	●	●

外形尺寸 Dimensions



检测范围 Sensing range 5-15mm

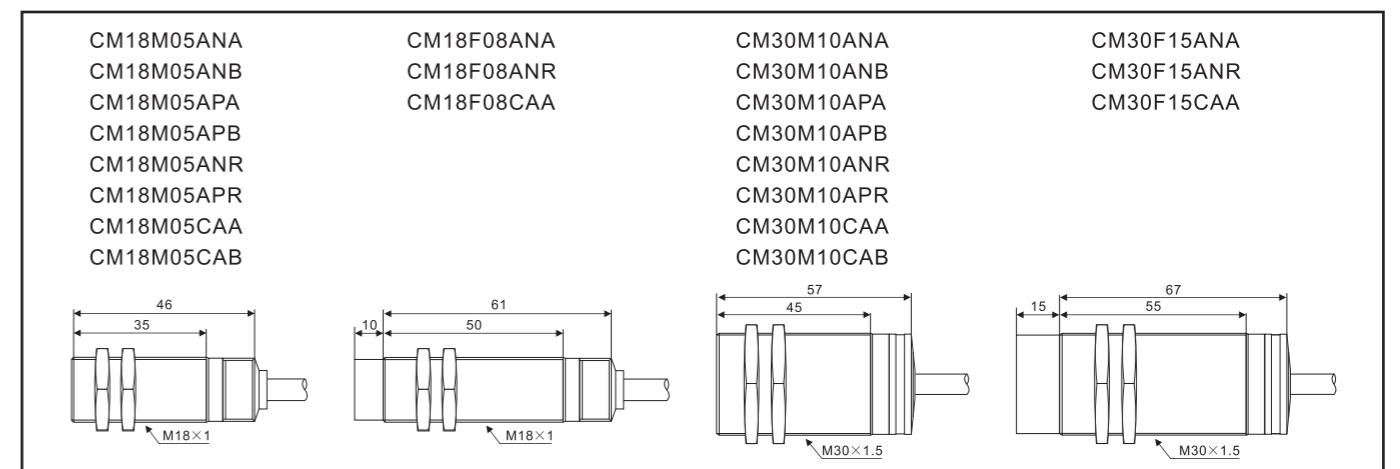
圆柱形 Cylindrical type M18、M30



外壳材料: 金属(黄铜镀铬) Shell material: Metal (Chrome plated brass)
 外观尺寸: 螺纹M18、M30 Appearance size: Screw thread M18, M30
 防护等级: IP67 Protection grade: IP67
 环境温度: -25℃~+70℃ Ambient temperature: -25℃ to +70℃
 符合标准: GB/T14048.10 Standard: GB/T14048.10

工作形式 Work form	型号 Type	Sn	安装方式 Installation	电源电压 Power voltage	输出 Output				保护 Protect	连接方式 Connection method											
					感应距离mm Induction distance	齐平安装 Flush mounting	非齐平安装 Non-flush mounting	螺纹安装 Screw installation			常开 NO	常闭 NC	LED指示, 红色 LED indicator, Red	环形LED指示, 黄色 Annular LED indicator, Yellow	LED指示, 黄色 LED indicator, Yellow	最大负载电流mA Maximum load current	开关频率Hz Switching frequency	反极性保护 Reverse polarity protection	短路保护 Short circuit protection	电缆(2m) Cable	连接器 Connector
DC 3线 DC 3 line	CM18M05ANA	5	●	●	●	●	●	●	●	●	●	●	●	●	●	●	●	●	●	●	
	CM18M05ANB	5	●	●	●	●	●	●	●	●	●	●	●	●	●	●	●	●	●	●	
	CM18M05APA	5	●	●	●	●	●	●	●	●	●	●	●	●	●	●	●	●	●	●	
	CM18M05APB	5	●	●	●	●	●	●	●	●	●	●	●	●	●	●	●	●	●	●	
	CM18F08ANA	8	●	●	●	●	●	●	●	●	●	●	●	●	●	●	●	●	●	●	
	CM30M10ANA	10	●	●	●	●	●	●	●	●	●	●	●	●	●	●	●	●	●	●	●
	CM30M10ANB	10	●	●	●	●	●	●	●	●	●	●	●	●	●	●	●	●	●	●	
	CM30M10APA	10	●	●	●	●	●	●	●	●	●	●	●	●	●	●	●	●	●	●	
	CM30M10APB	10	●	●	●	●	●	●	●	●	●	●	●	●	●	●	●	●	●	●	
	CM30F15ANA	15	●	●	●	●	●	●	●	●	●	●	●	●	●	●	●	●	●	●	●
	DC 4线 DC 4 line	CM18M05ANR	5	●	●	●	●	●	●	●	●	●	●	●	●	●	●	●	●	●	●
		CM18F08ANR	8	●	●	●	●	●	●	●	●	●	●	●	●	●	●	●	●	●	●
		CM30M10ANR	10	●	●	●	●	●	●	●	●	●	●	●	●	●	●	●	●	●	●
		CM30M10APR	10	●	●	●	●	●	●	●	●	●	●	●	●	●	●	●	●	●	●
		CM30F15ANR	15	●	●	●	●	●	●	●	●	●	●	●	●	●	●	●	●	●	●
AC 2线 AC 2 line	CM18M05CAA	5	●	●	●	●	●	●	●	●	●	●	●	●	●	●	●	●	●	●	
	CM18M05CAB	5	●	●	●	●	●	●	●	●	●	●	●	●	●	●	●	●	●	●	
	CM18F08CAA	8	●	●	●	●	●	●	●	●	●	●	●	●	●	●	●	●	●	●	
	CM30M10CAA	10	●	●	●	●	●	●	●	●	●	●	●	●	●	●	●	●	●	●	
	CM30M10CAB	10	●	●	●	●	●	●	●	●	●	●	●	●	●	●	●	●	●	●	
CM30F15CAA	15	●	●	●	●	●	●	●	●	●	●	●	●	●	●	●	●	●	●	●	

外形尺寸 Dimensions



检测范围 Sensing range 5-15mm 塑料圆柱形 Plasic Cylindrical type M18、M30

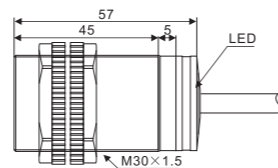
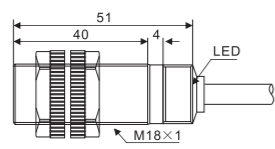


外壳材料: 塑料(PBT) Shell material: Plastic (PBT)
 外观尺寸: 螺纹M18、M30 Appearance size:Screw thread M18,M30
 防护等级: IP67 Protection grade:IP67
 环境温度: -25°C-+70°C Ambient temperature: - 25 °C to + 70 °C
 符合标准:GB/T14048.10 Standard: GB/T14048.10

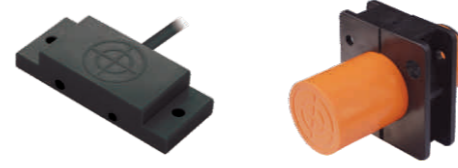
工作形式 Work form	型号 Type	Sn	安装方式 Installation	电源电压 Power voltage			输出 Output				保护 Protect	连接方式 Connection method
				10-30VDC	90-250VAC	20-250VAC	NPN	PNP	常开 NO	常闭 NC		
DC 3线 DC 3 line	CM18SM05ANA	5	●	●	●	●	●	●	●	●	●	●
	CM18SM05ANB	5	●	●	●	●	●	●	●	●	●	●
	CM18SM05APA	5	●	●	●	●	●	●	●	●	●	●
	CM18SM05APB	5	●	●	●	●	●	●	●	●	●	●
	CM18SF08ANA	8	●	●	●	●	●	●	●	●	●	●
	CM30SM10ANA	10	●	●	●	●	●	●	●	●	●	●
	CM30SM10ANB	10	●	●	●	●	●	●	●	●	●	●
	CM30SM10APA	10	●	●	●	●	●	●	●	●	●	●
	CM30SM10APB	10	●	●	●	●	●	●	●	●	●	●
	CM30SF15ANA	15	●	●	●	●	●	●	●	●	●	●
DC 4线 DC 4 line	CM18SM05ANR	5	●	●	●	●	●	●	●	●	●	●
	CM18SM05APR	5	●	●	●	●	●	●	●	●	●	●
	CM18SF08ANR	8	●	●	●	●	●	●	●	●	●	●
	CM30SM10ANR	10	●	●	●	●	●	●	●	●	●	●
	CM30SM10APR	10	●	●	●	●	●	●	●	●	●	●
CM30SF15ANR	15	●	●	●	●	●	●	●	●	●	●	
AC 2线 AC 2 line	CM18SM05CAA	5	●	●	●	●	●	●	●	●	●	●
	CM18SM05CAB	5	●	●	●	●	●	●	●	●	●	●
	CM18SF08CAA	8	●	●	●	●	●	●	●	●	●	●
	CM30SM10CAA	10	●	●	●	●	●	●	●	●	●	●
	CM30SM10CAB	10	●	●	●	●	●	●	●	●	●	●
	CM30SF15CAA	15	●	●	●	●	●	●	●	●	●	●

外形尺寸 Dimensions

CM18SM05ANA	CM18SF08ANA	CM30SM10ANA	CM30SF15ANA
CM18SM05ANB	CM18SF08ANR	CM30SM10ANB	CM30SF15ANR
CM18SM05APA	CM18SF08CAA	CM30SM10APA	CM30SF15CAA
CM18SM05APB		CM30SM10APB	
CM18SM05ANR		CM30SM10ANR	
CM18SM05APR		CM30SM10APR	
CM18SM05CAA		CM30SM10CAA	
CM18SM05CAB		CM30SM10CAB	



检测范围 Sensing range 10-15mm 塑料圆柱形 Plasic Cylindrical type E20、φ34

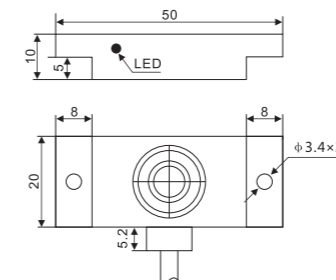


外壳材料: 塑料(PBT) Shell material: Plastic (PBT)
 外观尺寸: 20×50、光面 φ34 Appearance size:20 × 50, φ 34
 防护等级: IP65 Protection grade: IP65
 环境温度: -25°C-+70°C Ambient temperature: - 25 °C to + 70 °C
 符合标准:GB/T14048.10 Standard: GB/T14048.10

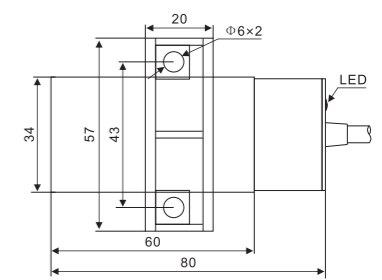
工作形式 Work form	型号 Type	Sn	安装方式 Installation	电源电压 Power voltage			输出 Output				保护 Protect	连接方式 Connection method
				10-30VDC	90-250VAC	20-250VAC	NPN	PNP	常开 NO	常闭 NC		
DC 3线 DC 3 line	CE20F10ANA	10	●	●	●	●	●	●	●	●	●	●
	CE20F10ANB	10	●	●	●	●	●	●	●	●	●	●
	CE20F10APA	10	●	●	●	●	●	●	●	●	●	●
	CE20F10APB	10	●	●	●	●	●	●	●	●	●	●
	CQ34M15ANA	15	●	●	●	●	●	●	●	●	●	●
	CQ34M15ANB	15	●	●	●	●	●	●	●	●	●	●
	CQ34M15APA	15	●	●	●	●	●	●	●	●	●	●
	CQ34M15APB	15	●	●	●	●	●	●	●	●	●	●
DC 4线 DC 4 line	CE20F10ANR	10	●	●	●	●	●	●	●	●	●	●
	CE20F10APR	10	●	●	●	●	●	●	●	●	●	●
	CQ34M15ANR	15	●	●	●	●	●	●	●	●	●	●
	CQ34M15APR	15	●	●	●	●	●	●	●	●	●	●
AC 2线 AC 2 line	CE20F10CAA	10	●	●	●	●	●	●	●	●	●	●
	CE20F10CAB	10	●	●	●	●	●	●	●	●	●	●
	CQ34M15CAA	15	●	●	●	●	●	●	●	●	●	●
	CQ34M15CAB	15	●	●	●	●	●	●	●	●	●	●

外形尺寸 Dimensions

CE20F10ANA
 CE20F10ANB
 CE20F10APA
 CE20F10APB
 CE20F10ANR
 CE20F10APR
 CE20F10CAA
 CE20F10CAB



CQ34M15ANA
 CQ34M15ANB
 CQ34M15APA
 CQ34M15APB
 CQ34M15ANR
 CQ34M15APR
 CQ34M15CAA
 CQ34M15CAB



检测范围 Sensing range 4-8mm

M12

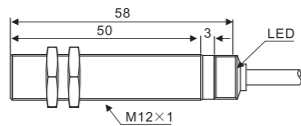


外壳材料: 金属(黄铜镀铬) Shell material: Metal (Chrome plated brass)
 外观尺寸: 螺纹M12 Appearance size: Screw thread M12
 防护等级: IP67 Protection grade: IP67
 环境温度: -25°C~+70°C Ambient temperature: -25°C to +70°C
 符合标准: GB/T14048.10 Standard: GB/T14048.10

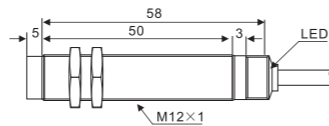
工作形式 Work form	型号 Type	Sn	安装方式 Installation	电源电压 Power voltage	输出 Output				保护 Protect	连接方式 Connection method														
					感应距离mm Induction distance	齐平安装 Flush mounting	非齐平安装 Non-flush mounting	螺纹安装 Screw installation			10-30VDC	90-250VAC	20-250VAC	NPN	PNP	常开 NO	常闭 NC	LED 指示, 红色 LED indicator, Red	环形LED 指示, 黄色 Annular LED indicator, Yellow	LED 指示, 黄色 LED indicator, Yellow	最大负载电流mA Maximum load current	开关频率Hz Switching frequency	反极性保护 Reverse polarity protection	短路保护 Short circuit protection
DC 2线 DC 2 line	LM12M04ADA-Y	4	●	●	●				●	●	●	●	●	●	●	●	200	800	●	●	●	●		
	LM12M04ADB-Y	4	●	●	●				●	●	●	●	●	●	●	●	200	800	●	●	●	●		
	LM12F08ADA-Y	8		●	●	●			●	●	●	●	●	●	●	●	200	500	●	●	●	●		
	LM12F08ADB-Y	8		●	●	●			●	●	●	●	●	●	●	●	200	500	●	●	●	●		
DC 3线 DC 3 line	LM12M04ANA-Y	4	●	●	●		●		●	●	●	●	●	●	●	●	200	800	●	●	●	●		
	LM12M04ANB-Y	4	●	●	●		●		●	●	●	●	●	●	●	●	200	800	●	●	●	●		
	LM12M04APA-Y	4	●	●	●			●	●	●	●	●	●	●	●	●	200	800	●	●	●	●		
	LM12M04APB-Y	4	●	●	●			●	●	●	●	●	●	●	●	●	200	800	●	●	●	●		
	LM12F08ANA-Y	8		●	●	●		●	●	●	●	●	●	●	●	●	200	500	●	●	●	●		
	LM12F08ANB-Y	8		●	●	●		●	●	●	●	●	●	●	●	●	200	500	●	●	●	●		
	LM12F08APA-Y	8		●	●	●			●	●	●	●	●	●	●	●	200	500	●	●	●	●		
	LM12F08APB-Y	8		●	●	●			●	●	●	●	●	●	●	●	200	500	●	●	●	●		
DC 4线 DC 4 line	LM12M04ANR-Y	4	●	●	●		●	●	●	●	●	●	●	●	●	●	200	800	●	●	●	●		
	LM12M04APR-Y	4	●	●	●		●	●	●	●	●	●	●	●	●	●	200	800	●	●	●	●		
	LM12F08ANR-Y	8		●	●	●		●	●	●	●	●	●	●	●	●	200	500	●	●	●	●		
	LM12F08APR-Y	8		●	●	●		●	●	●	●	●	●	●	●	●	200	500	●	●	●	●		
AC 2线 AC 2 line																								

外形尺寸 Dimensions

LM12M04ADA-Y
 LM12M04ADB-Y
 LM12M04ANR-Y
 LM12M04APR-Y
 LM12M04ANA-Y
 LM12M04ANB-Y
 LM12M04APA-Y
 LM12M04APB-Y



LM12F08ADA-Y
 LM12F08ADB-Y
 LM12F08ANR-Y
 LM12F08APR-Y
 LM12F08ANA-Y
 LM12F08ANB-Y
 LM12F08APA-Y
 LM12F08APB-Y



检测范围 Sensing range 8-12mm

M18



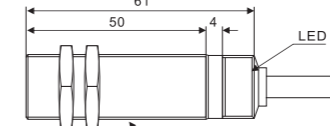
外壳材料: 金属(黄铜镀铬) Shell material: Metal (Chrome plated brass)
 外观尺寸: 螺纹M18 Appearance size: Screw thread M18
 防护等级: IP67 Protection grade: IP67
 环境温度: -25°C~+70°C Ambient temperature: -25°C to +70°C
 符合标准: GB/T14048.10 Standard: GB/T14048.10

工作形式 Work form	型号 Type	Sn	安装方式 Installation	电源电压 Power voltage	输出 Output				保护 Protect	连接方式 Connection method														
					感应距离mm Induction distance	齐平安装 Flush mounting	非齐平安装 Non-flush mounting	螺纹安装 Screw installation			10-30VDC	90-250VAC	20-250VAC	NPN	PNP	常开 NO	常闭 NC	LED 指示, 红色 LED indicator, Red	环形LED 指示, 黄色 Annular LED indicator, Yellow	LED 指示, 黄色 LED indicator, Yellow	最大负载电流mA Maximum load current	开关频率Hz Switching frequency	反极性保护 Reverse polarity protection	短路保护 Short circuit protection
DC 2线 DC 2 line	LM18M8ADA-Y	8	●	●	●				●	●	●	●	●	●	●	●	200	400	●	●	●	●		
	LM18M8ADB-Y	8	●	●	●				●	●	●	●	●	●	●	●	200	400	●	●	●	●		
	LM18F12ADA-Y	12		●	●	●			●	●	●	●	●	●	●	●	200	200	●	●	●	●		
	LM18F12ADB-Y	12		●	●	●			●	●	●	●	●	●	●	●	200	200	●	●	●	●		
DC 3线 DC 3 line	LM18M8ANA-Y	8	●	●	●		●		●	●	●	●	●	●	●	●	200	400	●	●	●	●		
	LM18M8ANB-Y	8	●	●	●		●		●	●	●	●	●	●	●	●	200	400	●	●	●	●		
	LM18M8APA-Y	8	●	●	●			●	●	●	●	●	●	●	●	●	200	200	●	●	●	●		
	LM18M8APB-Y	8	●	●	●			●	●	●	●	●	●	●	●	●	200	200	●	●	●	●		
	LM18F12ANA-Y	12		●	●	●		●	●	●	●	●	●	●	●	●	200	200	●	●	●	●		
	LM18F12ANB-Y	12		●	●	●		●	●	●	●	●	●	●	●	●	200	200	●	●	●	●		
	LM18F12APA-Y	12		●	●	●			●	●	●	●	●	●	●	●	200	200	●	●	●	●		
	LM18F12APB-Y	12		●	●	●			●	●	●	●	●	●	●	●	200	200	●	●	●	●		
DC 4线 DC 4 line	LM18M8ANR-Y	8	●	●	●		●	●	●	●	●	●	●	●	●	●	200	400	●	●	●	●		
	LM18M8APR-Y	8	●	●	●		●	●	●	●	●	●	●	●	●	●	200	400	●	●	●	●		
	LM18F12ANR-Y	12		●	●	●		●	●	●	●	●	●	●	●	●	200	200	●	●	●	●		
	LM18F12APR-Y	12		●	●	●		●	●	●	●	●	●	●	●	●	200	200	●	●	●	●		
AC 2线 AC 2 line																								

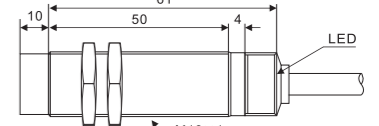
外形尺寸 Dimensions

注: 最大距离: 10mm、16mm

LM18M8ADA-Y
 LM18M8ADB-Y
 LM18M8ANR-Y
 LM18M8APR-Y
 LM18M8ANA-Y
 LM18M8ANB-Y
 LM18M8APA-Y
 LM18M8APB-Y

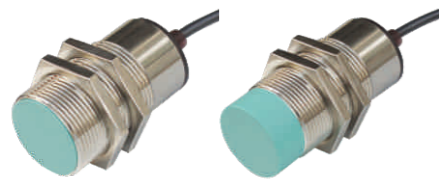


LM18F12ADA-Y
 LM18F12ADB-Y
 LM18F12ANR-Y
 LM18F12APR-Y
 LM18F12ANA-Y
 LM18F12ANB-Y
 LM18F12APA-Y
 LM18F12APB-Y



检测范围 Sensing range 15-22mm

M30



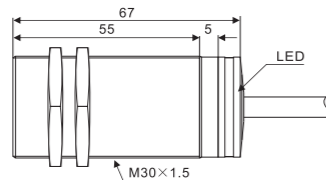
外壳材料: 金属(黄铜镀铬) Shell material: Metal (Chrome plated brass)
 外观尺寸: 螺纹M30 Appearance size: Screw thread M30
 防护等级: IP67 Protection grade: IP67
 环境温度: -25°C~+70°C Ambient temperature: -25°C to +70°C
 符合标准: GB/T14048.10 Standard: GB/T14048.10

工作形式 Work form	型号 Type	Sn	安装方式 Installation			电源电压 Power voltage			输出 Output				保护 Protect		连接方式 Connection method							
			感应距离mm Induction distance	齐平安装 Flush mounting	非齐平安装 Non-flush mounting	螺纹安装 Screw installation	10-30VDC	90-250VAC	20-250VAC	NPN	PNP	常开 NO	常闭 NC	LED 指示, 红色 LED indicator, Red	环形LED 指示, 黄色 Annular LED indicator, Yellow	LED 指示, 黄色 LED indicator, Yellow	最大负载电流mA Maximum load current	开关频率Hz Switching frequency	反极性保护 Reverse polarity protection	短路保护 Short circuit protection	电缆(2m) Cable	连接器 Connector
DC 2线 DC 2 line	LM30M15ADA-Y	15	●		●						●		●	200	300	●	●	●	●	●	●	
	LM30M15ADB-Y	15	●		●						●		●	200	300	●	●	●	●	●	●	
	LM30F22ADA-Y	22		●	●						●		●	200	100	●	●	●	●	●	●	
	LM30F22ADB-Y	22		●	●						●		●	200	100	●	●	●	●	●	●	
DC 3线 DC 3 line	LM30M15ANA-Y	15	●		●		●				●		●	200	300	●	●	●	●	●	●	
	LM30M15ANB-Y	15	●		●		●				●		●	200	300	●	●	●	●	●	●	
	LM30M15APA-Y	15	●		●			●			●		●	200	300	●	●	●	●	●	●	
	LM30M15APB-Y	15	●		●			●			●		●	200	300	●	●	●	●	●	●	
	LM30F22ANA-Y	22		●	●		●				●		●	200	150	●	●	●	●	●	●	
	LM30F22ANB-Y	22		●	●		●				●		●	200	150	●	●	●	●	●	●	
	LM30F22APA-Y	22		●	●			●			●		●	200	150	●	●	●	●	●	●	
	LM30F22APB-Y	22		●	●			●			●		●	200	150	●	●	●	●	●	●	
DC 4线 DC 4 line	LM30M15ANR-Y	15	●		●		●				●		●	200	300	●	●	●	●	●	●	
	LM30M15APR-Y	15	●		●		●				●		●	200	300	●	●	●	●	●	●	
	LM30F22ANR-Y	22		●	●		●				●		●	200	150	●	●	●	●	●	●	
	LM30F22APR-Y	22		●	●		●				●		●	200	150	●	●	●	●	●	●	
AC 2线 AC 2 line																						

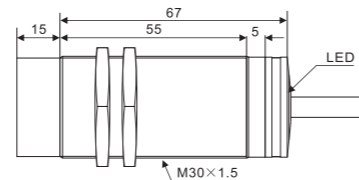
外形尺寸 Dimensions

注: 最大距离: 20mm、30mm

LM30M15ADA-Y
LM30M15ADB-Y
LM30M15ANR-Y
LM30M15APR-Y
LM30M15ANA-Y
LM30M15ANB-Y
LM30M15APA-Y
LM30M15APB-Y



LM30F22ADA-Y
LM30F22ADB-Y
LM30F22ANR-Y
LM30F22APR-Y
LM30F22ANA-Y
LM30F22ANB-Y
LM30F22APA-Y
LM30F22APB-Y



检测范围 Sensing range 40mm

Z40、EZ40

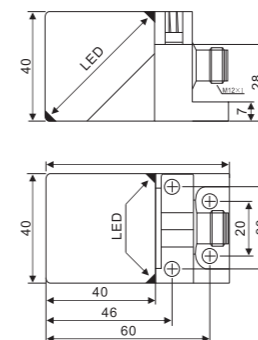


外壳材料: 塑料(PBT) Shell material: Plastic (PBT)
 外观尺寸: 40×40 Appearance size: 40×40
 防护等级: IP67 Protection grade: IP67
 环境温度: -25°C~+70°C Ambient temperature: -25°C to +70°C
 符合标准: GB/T14048.10 Standard: GB/T14048.10

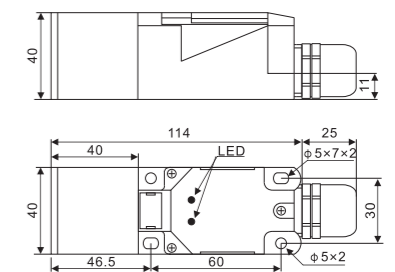
工作形式 Work form	型号 Type	Sn	安装方式 Installation			电源电压 Power voltage			输出 Output				保护 Protect		连接方式 Connection method							
			感应距离mm Induction distance	齐平安装 Flush mounting	非齐平安装 Non-flush mounting	螺纹安装 Screw installation	10-30VDC	90-250VAC	20-250VAC	NPN	PNP	常开 NO	常闭 NC	LED 指示, 红色 LED indicator, Red	环形LED 指示, 黄色 Annular LED indicator, Yellow	LED 指示, 黄色 LED indicator, Yellow	最大负载电流mA Maximum load current	开关频率Hz Switching frequency	反极性保护 Reverse polarity protection	短路保护 Short circuit protection	电缆(2m) Cable	连接器 Connector
DC 2线 DC 2 line	LZ40F40ADA-E2	40	●		●						●		●	200	100	●	●	●	●	●	●	
	LZ40F40ADB-E2	40	●		●						●		●	200	100	●	●	●	●	●	●	
	LEZ40F40ADA-DY	40		●	●						●		●	200	100	●	●	●	●	●	●	
	LEZ40F40ADB-DY	40		●	●						●		●	200	100	●	●	●	●	●	●	
DC 3线 DC 3 line	LZ40F40ANA-E2	40	●		●		●				●		●	200	200	●	●	●	●	●	●	
	LZ40F40ANB-E2	40	●		●		●				●		●	200	200	●	●	●	●	●	●	
	LZ40F40APA-E2	40	●		●			●			●		●	200	200	●	●	●	●	●	●	
	LZ40F40APB-E2	40	●		●			●			●		●	200	200	●	●	●	●	●	●	
	LEZ40F40ANA-DY	40		●	●		●				●		●	200	200	●	●	●	●	●	●	
	LEZ40F40ANB-DY	40		●	●		●				●		●	200	200	●	●	●	●	●	●	
	LEZ40F40APA-DY	40		●	●			●			●		●	200	200	●	●	●	●	●	●	
	LEZ40F40APB-DY	40		●	●			●			●		●	200	200	●	●	●	●	●	●	
DC 4线 DC 4 line	LZ40F40ANR-E2	40	●		●		●				●		●	200	200	●	●	●	●	●	●	
	LZE40F40ANR-DY	40		●	●		●				●		●	200	200	●	●	●	●	●	●	
	LZE40F40APR-DY	40		●	●			●			●		●	200	200	●	●	●	●	●	●	
AC 2线 AC 2 line																						

外形尺寸 Dimensions

LZ40F40ADA-E2
LZ40F40ADB-E2
LZ40F40ANA-E2
LZ40F40ANB-E2
LZ40F40APA-E2
LZ40F40APB-E2
LZ40F40ANR-E2
LZ40F40APR-E2



LEZ40F40ADA-DY
LEZ40F40ADB-DY
LEZ40F40ANA-DY
LEZ40F40ANB-DY
LEZ40F40APA-DY
LEZ40F40APB-DY
LZE40F40ANR-DY
LZE40F40APR-DY



检测范围 Sensing range 2-4mm

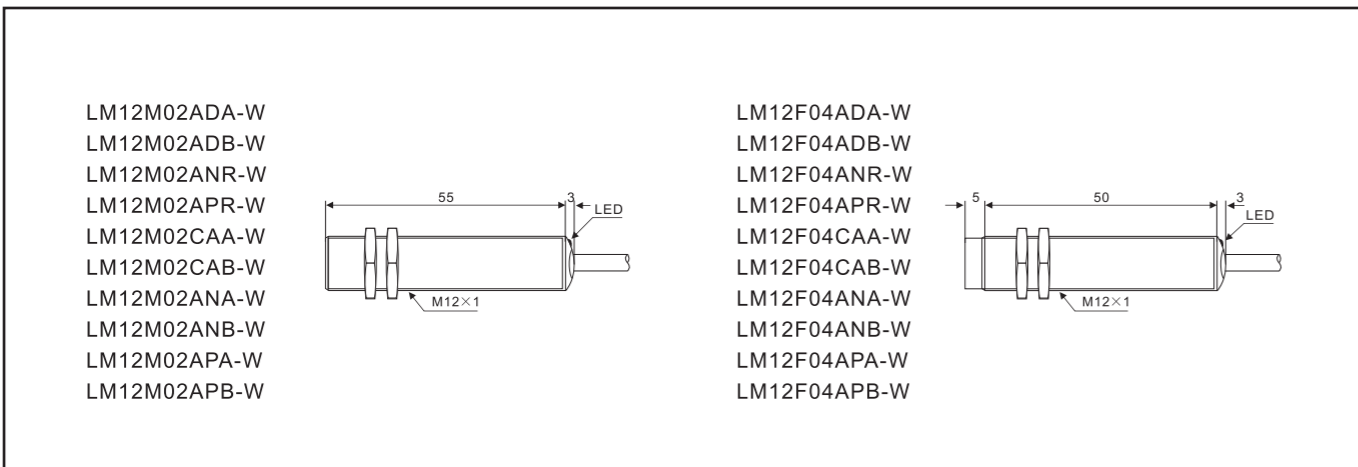
M12



外壳材料: 金属(黄铜镀铬) Shell material: Metal (Chrome plated brass)
 外观尺寸: 螺纹M12 Appearance size: Screw thread M12
 防护等级: IP67 Protection grade: IP67
 环境温度: -25°C+120°C Ambient temperature: -25 °C to +120 °C
 符合标准: GB/T14048.10 Standard: GB/T14048.10

工作形式 Work form	型号 Type	Sn	安装方式 Installation	电源电压 Power voltage	输出 Output				保护 Protect	连接方式 Connection method													
					感应距离mm Induction distance	齐平安装 Flush mounting	非齐平安装 Non-flush mounting	螺纹安装 Screw installation			10-30VDC	90-250VAC	20-250VAC	NPN	PNP	常开 NO	常闭 NC	LED 指示, 红色 LED indicator, Red	环形LED 指示, 黄色 Annular LED indicator, Yellow	LED 指示, 黄色 LED indicator, Yellow	最大负载电流mA Maximum load current	开关频率Hz Switching frequency	反极性保护 Reverse polarity protection
DC 2线 DC 2 line	LM12M02ADA-W	2	●	●	●				●							●	200	1K	●	●	●		
	LM12M02ADB-W	2	●		●				●							●	200	1K	●	●	●		
	LM12F04ADA-W	4		●	●				●							●	200	1K	●	●	●		
	LM12F04ADB-W	4		●	●				●							●	200	1K	●	●	●		
DC 3线 DC 3 line	LM12M02ANA-W	2	●	●	●			●	●							●	200	2K	●	●	●		
	LM12M02ANB-W	2	●	●	●			●	●							●	200	2K	●	●	●		
	LM12M02APA-W	2	●	●	●			●	●							●	200	2K	●	●	●		
	LM12M02APB-W	2	●	●	●			●	●							●	200	2K	●	●	●		
	LM12F04ANA-W	4		●	●	●			●							●	200	2K	●	●	●		
	LM12F04ANB-W	4		●	●	●			●							●	200	2K	●	●	●		
	LM12F04APA-W	4		●	●	●			●							●	200	2K	●	●	●		
	LM12F04APB-W	4		●	●	●			●							●	200	2K	●	●	●		
DC 4线 DC 4 line	LM12M02ANR-W	2	●	●	●			●	●							●	200	2K	●	●	●		
	LM12M02APR-W	2	●	●	●			●	●							●	200	2K	●	●	●		
	LM12F04ANR-W	4		●	●	●			●							●	200	2K	●	●	●		
	LM12F04APR-W	4		●	●	●			●							●	200	2K	●	●	●		
AC 2线 AC 2 line	LM12M02CAA-W	2	●	●	●			●	●							●	200	20					
	LM12M02CAB-W	2	●	●	●			●	●							●	200	20					
	LM12F04CAA-W	4		●	●	●			●							●	200	20					
	LM12F04CAB-W	4		●	●	●			●							●	200	20					

外形尺寸 Dimensions



检测范围 Sensing range 5-8mm

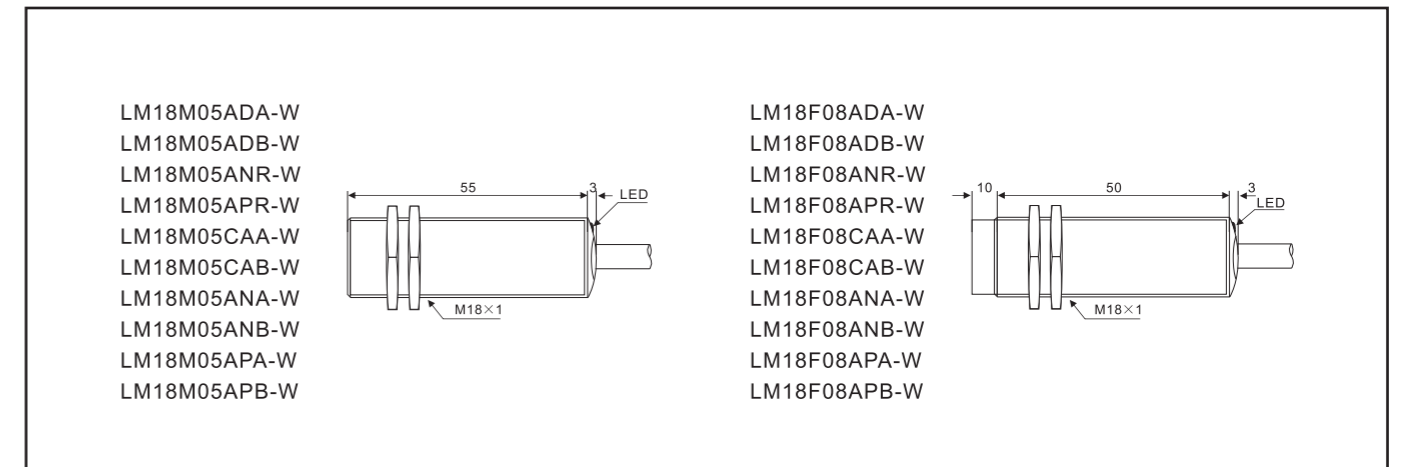
M18



外壳材料: 金属(黄铜镀铬) Shell material: Metal (Chrome plated brass)
 外观尺寸: 螺纹M18 Appearance size: Screw thread M18
 防护等级: IP67 Protection grade: IP67
 环境温度: -25°C+120°C Ambient temperature: -25 °C to +120 °C
 符合标准: GB/T14048.10 Standard: GB/T14048.10

工作形式 Work form	型号 Type	Sn	安装方式 Installation	电源电压 Power voltage	输出 Output				保护 Protect	连接方式 Connection method													
					感应距离mm Induction distance	齐平安装 Flush mounting	非齐平安装 Non-flush mounting	螺纹安装 Screw installation			10-30VDC	90-250VAC	20-250VAC	NPN	PNP	常开 NO	常闭 NC	LED 指示, 红色 LED indicator, Red	环形LED 指示, 黄色 Annular LED indicator, Yellow	LED 指示, 黄色 LED indicator, Yellow	最大负载电流mA Maximum load current	开关频率Hz Switching frequency	反极性保护 Reverse polarity protection
DC 2线 DC 2 line	LM18M05ADA-W	5	●	●	●				●							●	200	800	●	●	●		
	LM18M05ADB-W	5	●		●				●							●	200	800	●	●	●		
	LM18F08ADA-W	8		●	●				●							●	200	800	●	●	●		
	LM18F08ADB-W	8		●	●				●							●	200	800	●	●	●		
DC 3线 DC 3 line	LM18M05ANA-W	5	●	●	●			●	●							●	200	1K	●	●	●		
	LM18M05ANB-W	5	●	●	●			●	●							●	200	1K	●	●	●		
	LM18M05APA-W	5	●	●	●			●	●							●	200	1K	●	●	●		
	LM18M05APB-W	5	●	●	●			●	●							●	200	1K	●	●	●		
	LM18F08ANA-W	8		●	●	●			●							●	200	1K	●	●	●		
	LM18F08ANB-W	8		●	●	●			●							●	200	1K	●	●	●		
	LM18F08APA-W	8		●	●	●			●							●	200	1K	●	●	●		
	LM18F08APB-W	8		●	●	●			●							●	200	1K	●	●	●		
DC 4线 DC 4 line	LM18M05ANR-W	5	●	●	●			●	●							●	200	1K	●	●	●		
	LM18M05APR-W	5	●	●	●			●	●							●	200	1K	●	●	●		
	LM18F08ANR-W	8		●	●	●			●							●	200	1K	●	●	●		
	LM18F08APR-W	8		●	●	●			●							●	200	1K	●	●	●		
AC 2线 AC 2 line	LM18M05CAA-W	5	●	●	●			●	●							●	200	20					
	LM18M05CAB-W	5	●	●	●			●	●							●	200	20					
	LM18F08CAA-W	8		●	●	●			●							●	200	20					
	LM18F08CAB-W	8		●	●	●			●							●	200	20					

外形尺寸 Dimensions



检测范围 Sensing range 10-15mm

M30

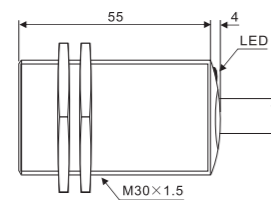


外壳材料: 金属(黄铜镀铬) Shell material: Metal (Chrome plated brass)
 外观尺寸: 螺纹M30 Appearance size: Screw thread M30
 防护等级: IP67 Protection grade: IP67
 环境温度: -25°C~+120°C Ambient temperature: -25°C to +120°C
 符合标准: GB/T14048.10 Standard: GB/T14048.10

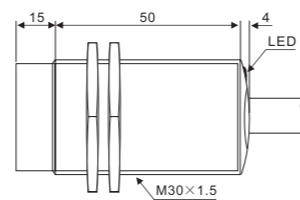
工作形式 Work form	型号 Type	Sn	安装方式 Installation			电源电压 Power voltage			输出 Output				保护 Protect		连接方式 Connection method							
			感应距离mm Induction distance	齐平安装 Flush mounting	非齐平安装 Non-flush mounting	螺纹安装 Screw installation	10-30VDC	90-250VAC	20-250VAC	NPN	PNP	常开 NO	常闭 NC	LED 指示, 红色 LED indicator, Red	环形LED 指示, 黄色 Annular LED indicator, Yellow	LED 指示, 黄色 LED indicator, Yellow	最大负载电流mA Maximum load current	开关频率Hz Switching frequency	反极性保护 Reverse polarity protection	短路保护 Short circuit protection	电缆(2m) Cable	连接器 Connector
DC 2线 DC 2 line	LM30M10ADA-W	10	●		●						●		●	200	300	●	●	●	●	●	●	
	LM30M10ADB-W	10	●		●						●		●	200	300	●	●	●	●	●	●	
	LM30F15ADA-W	15		●	●						●		●	200	300	●	●	●	●	●	●	
	LM30F15ADB-W	15		●	●						●		●	200	300	●	●	●	●	●	●	
DC 3线 DC 3 line	LM30M10ANA-W	10	●		●		●				●		●	200	500	●	●	●	●	●	●	
	LM30M10ANB-W	10	●		●		●				●		●	200	500	●	●	●	●	●	●	
	LM30M10APA-W	10	●		●			●			●		●	200	500	●	●	●	●	●	●	
	LM30M10APB-W	10	●		●			●			●		●	200	500	●	●	●	●	●	●	
	LM30F15ANA-W	15		●	●		●				●		●	200	500	●	●	●	●	●	●	
	LM30F15ANB-W	15		●	●		●				●		●	200	500	●	●	●	●	●	●	
	LM30F15APA-W	15		●	●			●			●		●	200	500	●	●	●	●	●	●	
	LM30F15APB-W	15		●	●			●			●		●	200	500	●	●	●	●	●	●	
DC 4线 DC 4 line	LM30M10ANR-W	10	●		●		●				●		●	200	500	●	●	●	●	●	●	
	LM30M10APR-W	10	●		●		●				●		●	200	500	●	●	●	●	●	●	
	LM30F15ANR-W	15		●	●		●				●		●	200	500	●	●	●	●	●	●	
	LM30F15APR-W	15		●	●		●				●		●	200	500	●	●	●	●	●	●	
AC 2线 AC 2 line	LM30M10CAA-W	10	●		●		●				●		●	200	20						●	
	LM30M10CAB-W	10	●		●		●				●		●	200	20						●	
	LM30F15CAA-W	15		●	●		●				●		●	200	20						●	
	LM30F15CAB-W	15		●	●		●				●		●	200	20						●	

外形尺寸 Dimensions

LM30M10ADA-W
LM30M10ADB-W
LM30M10ANR-W
LM30M10APR-W
LM30M10CAA-W
LM30M10CAB-W
LM30M10ANA-W
LM30M10ANB-W
LM30M10APA-W
LM30M10APB-W

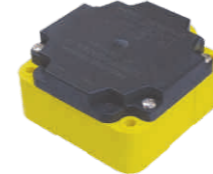


LM30F15ADA-W
LM30F15ADB-W
LM30F15ANR-W
LM30F15APR-W
LM30F15CAA-W
LM30F15CAB-W
LM30F15ANA-W
LM30F15ANB-W
LM30F15APA-W
LM30F15APB-W



检测范围 Sensing range 40mm

Z80

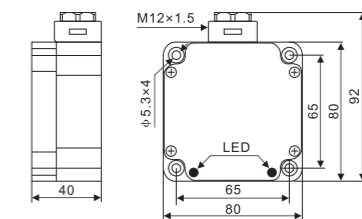


外壳材料: 塑料(PBT) Shell material: Plastic (PBT)
 外观尺寸: 80×80 Appearance size: 80×80
 防护等级: IP67 Protection grade: IP67
 环境温度: -25°C~+120°C Ambient temperature: -25°C to +120°C
 符合标准: GB/T14048.10 Standard: GB/T14048.10

工作形式 Work form	型号 Type	Sn	安装方式 Installation			电源电压 Power voltage			输出 Output				保护 Protect		连接方式 Connection method							
			感应距离mm Induction distance	齐平安装 Flush mounting	非齐平安装 Non-flush mounting	螺纹安装 Screw installation	10-30VDC	90-250VAC	20-250VAC	NPN	PNP	常开 NO	常闭 NC	LED 指示, 红色 LED indicator, Red	环形LED 指示, 黄色 Annular LED indicator, Yellow	LED 指示, 黄色 LED indicator, Yellow	最大负载电流mA Maximum load current	开关频率Hz Switching frequency	反极性保护 Reverse polarity protection	短路保护 Short circuit protection	电缆(2m) Cable	连接器 Connector
DC 2线 DC 2 line	LZ80M40ADA-W	40	●									●	●	●	200	60	●	●	●	●	●	
	LZ80M40ADB-W	40	●									●	●	●	200	60	●	●	●	●	●	
DC 3线 DC 3 line	LZ80M40ANA-W	40	●				●					●	●	●	200	100	●	●	●	●	●	
	LZ80M40ANB-W	40	●				●					●	●	●	200	100	●	●	●	●	●	
	LZ80M40APA-W	40	●					●				●	●	●	200	100	●	●	●	●	●	
	LZ80M40APB-W	40	●					●				●	●	●	200	100	●	●	●	●	●	
DC 4线 DC 4 line	LZ80M40ANR-W	40	●				●					●	●	●	200	100	●	●	●	●	●	
	LZ80M40APR-W	40	●				●					●	●	●	200	100	●	●	●	●	●	
AC 2线 AC 2 line	LZ80M40CAA-W	40	●				●					●	●	●	200	20	●	●	●	●	●	
	LZ80M40CAB-W	40	●				●					●	●	●	200	20	●	●	●	●	●	

外形尺寸 Dimensions

LZ80M40ANA-W
LZ80M40ANB-W
LZ80M40APA-W
LZ80M40APB-W
LZ80M40ADB-W
LZ80M40ANR-W
LZ80M40APR-W
LZ80M40CAA-W
LZ80M40CAB-W



检测范围 Sensing range 2-10mm

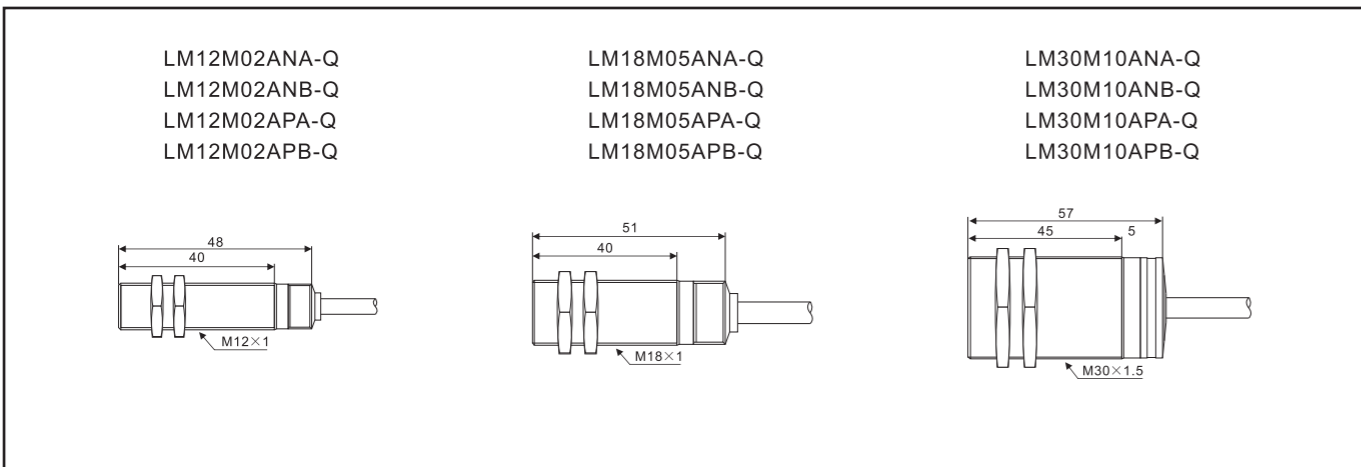
M12、M18、M30



外壳材料: 金属(不锈钢) Shell material: Metal (Stainless steel)
 外观尺寸: 螺纹M12、M18、M30 Appearance size: Screw thread M12,18,30
 防护等级: IP67 Protection grade: IP67
 环境温度: -25°C-+70°C Ambient temperature: -25°C to +70°C
 符合标准: GB/T14048.10 Standard: GB/T14048.10

工作形式 Work form	型号 Type	Sn	安装方式 Installation			电源电压 Power voltage			输出 Output				保护 Protect		连接方式 Connection method							
			感应距离mm Induction distance	齐平安装 Flush mounting	非齐平安装 Non-flush mounting	螺纹安装 Screw installation	10-30VDC	90-250VAC	20-250VAC	NPN	PNP	常开 NO	常闭 NC	LED 指示, 红色 LED indicator, Red	环形LED 指示, 黄色 Annular LED indicator, Yellow	LED 指示, 黄色 LED indicator, Yellow	最大负载电流mA Maximum load current	开关频率Hz Switching frequency	反极性保护 Reverse polarity protection	短路保护 Short circuit protection	电缆(2m) Cable	连接器 Connector
DC 3线 DC 3 line	LM12M02ANA-Q	2	●	●	●	●	●	●	●	●	●	●	●	●	●	●	●	●	●	●	●	●
	LM12M02ANB-Q	2	●	●	●	●	●	●	●	●	●	●	●	●	●	●	●	●	●	●	●	●
	LM12M02APA-Q	2	●	●	●	●	●	●	●	●	●	●	●	●	●	●	●	●	●	●	●	●
	LM12M02APB-Q	2	●	●	●	●	●	●	●	●	●	●	●	●	●	●	●	●	●	●	●	●
	LM18M05ANA-Q	5	●	●	●	●	●	●	●	●	●	●	●	●	●	●	●	●	●	●	●	●
	LM18M05ANB-Q	5	●	●	●	●	●	●	●	●	●	●	●	●	●	●	●	●	●	●	●	●
	LM18M05APA-Q	5	●	●	●	●	●	●	●	●	●	●	●	●	●	●	●	●	●	●	●	●
	LM18M05APB-Q	5	●	●	●	●	●	●	●	●	●	●	●	●	●	●	●	●	●	●	●	●
	LM30M10ANA-Q	10	●	●	●	●	●	●	●	●	●	●	●	●	●	●	●	●	●	●	●	●
	LM30M10ANB-Q	10	●	●	●	●	●	●	●	●	●	●	●	●	●	●	●	●	●	●	●	●
	LM30M10APA-Q	10	●	●	●	●	●	●	●	●	●	●	●	●	●	●	●	●	●	●	●	●
	LM30M10APB-Q	10	●	●	●	●	●	●	●	●	●	●	●	●	●	●	●	●	●	●	●	●
DC 4线 DC 4 line																						

外形尺寸 Dimensions



检测范围 Sensing range 1.5-2mm

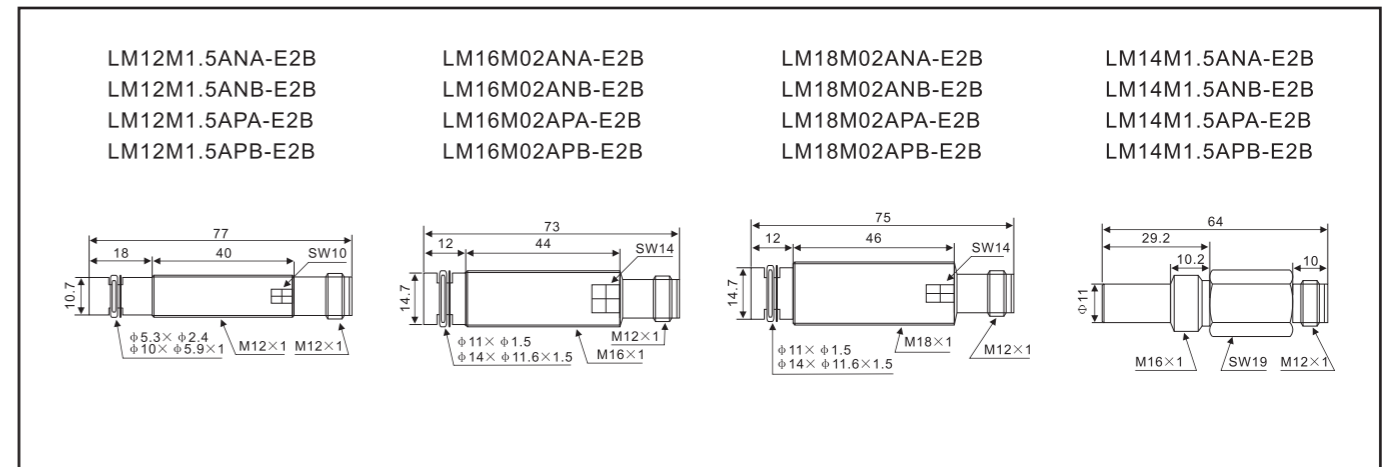
M12、M16、M18、M14



外壳材料: 金属(不锈钢) Shell material: Metal (Stainless steel)
 外观尺寸: 螺纹M12、14、16、18 Appearance size: Screw thread M12,14,16,18
 防护等级: IP68(耐受压力500bar) Protection grade: IP67(500bar)
 环境温度: -25°C-+70°C Ambient temperature: -25°C to +70°C
 符合标准: GB/T14048.10 Standard: GB/T14048.10

工作形式 Work form	型号 Type	Sn	安装方式 Installation			电源电压 Power voltage			输出 Output				保护 Protect		连接方式 Connection method							
			感应距离mm Induction distance	齐平安装 Flush mounting	非齐平安装 Non-flush mounting	螺纹安装 Screw installation	10-30VDC	90-250VAC	20-250VAC	NPN	PNP	常开 NO	常闭 NC	LED 指示, 红色 LED indicator, Red	环形LED 指示, 黄色 Annular LED indicator, Yellow	LED 指示, 黄色 LED indicator, Yellow	最大负载电流mA Maximum load current	开关频率Hz Switching frequency	反极性保护 Reverse polarity protection	短路保护 Short circuit protection	电缆(2m) Cable	连接器 Connector
DC 3线 DC 3 line	LM12M1.5ANA-E2B	1.5	●	●	●	●	●	●	●	●	●	●	●	●	●	●	●	●	●	●	●	●
	LM12M1.5ANB-E2B	1.5	●	●	●	●	●	●	●	●	●	●	●	●	●	●	●	●	●	●	●	●
	LM12M1.5APA-E2B	1.5	●	●	●	●	●	●	●	●	●	●	●	●	●	●	●	●	●	●	●	●
	LM12M1.5APB-E2B	1.5	●	●	●	●	●	●	●	●	●	●	●	●	●	●	●	●	●	●	●	●
	LM16M02ANA-E2B	2	●	●	●	●	●	●	●	●	●	●	●	●	●	●	●	●	●	●	●	●
	LM16M02ANB-E2B	2	●	●	●	●	●	●	●	●	●	●	●	●	●	●	●	●	●	●	●	●
	LM16M02APA-E2B	2	●	●	●	●	●	●	●	●	●	●	●	●	●	●	●	●	●	●	●	●
	LM16M02APB-E2B	2	●	●	●	●	●	●	●	●	●	●	●	●	●	●	●	●	●	●	●	●
	LM18M02ANA-E2B	2	●	●	●	●	●	●	●	●	●	●	●	●	●	●	●	●	●	●	●	●
	LM18M02ANB-E2B	2	●	●	●	●	●	●	●	●	●	●	●	●	●	●	●	●	●	●	●	●
	LM18M02APA-E2B	2	●	●	●	●	●	●	●	●	●	●	●	●	●	●	●	●	●	●	●	●
	LM18M02APB-E2B	2	●	●	●	●	●	●	●	●	●	●	●	●	●	●	●	●	●	●	●	●
	LM14M1.5ANA-E2B	1.5	●	●	●	●	●	●	●	●	●	●	●	●	●	●	●	●	●	●	●	●
	LM14M1.5ANB-E2B	1.5	●	●	●	●	●	●	●	●	●	●	●	●	●	●	●	●	●	●	●	●
	LM14M1.5APA-E2B	1.5	●	●	●	●	●	●	●	●	●	●	●	●	●	●	●	●	●	●	●	●
	LM14M1.5APB-E2B	1.5	●	●	●	●	●	●	●	●	●	●	●	●	●	●	●	●	●	●	●	●

外形尺寸 Dimensions



检测范围 Sensing range 2-8mm

M12、M18

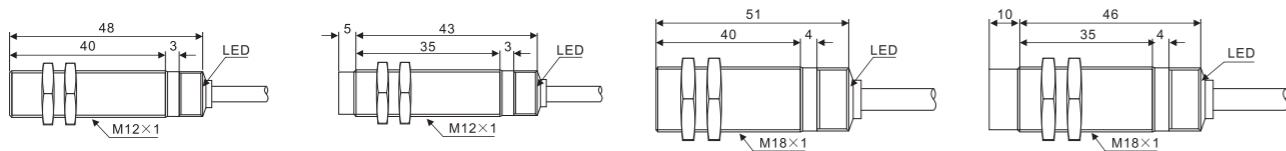


外壳材料: 金属(黄铜镀铬) Shell material: Metal (Chrome plated brass)
外观尺寸: 螺纹M12、M18 Appearance size: Screw thread M12,18
防护等级: IP67 Protection grade: IP67
环境温度: -25°C~+70°C Ambient temperature: -25°C to +70°C
符合标准: GB/T14048.10 Standard: GB/T14048.10

工作形式 Work form	型号 Type	Sn	安装方式 Installation			电源电压 Power voltage			输出 Output				保护 Protect	连接方式 Connection method															
			感应距离mm Induction distance	齐平安装 Flush mounting	非齐平安装 Non-flush mounting	螺纹安装 Screw installation	10-30VDC	90-250VAC	20-250VAC	NPN	PNP	常开 NO		常闭 NC	LED 指示, 红色 LED indicator, Red	环形LED 指示, 黄色 Annular LED indicator, Yellow	LED 指示, 黄色 LED indicator, Yellow	最大负载电流mA Maximum load current	开关频率Hz Switching frequency	反极性保护 Reverse polarity protection	短路保护 Short circuit protection	电缆(2m) Cable	连接器 Connector						
DC 3线	LM12M02APU	0.4-2	●		●	●							●		●														
	LM12M02APL	0.4-2	●		●	●							●		●														
	LM12M02APL4	0.4-2	●		●	●							●		●														
	LM12F04APU	0.8-4		●	●	●										●													
	LM12F04APL	0.8-4		●	●	●										●													
	LM12F04APL4	0.8-4		●	●	●										●													
	LM18M05APU	1-5	●		●	●											●												
	LM18M05APL	1-5	●		●	●											●												
	LM18M05APL4	1-5	●		●	●											●												
	LM18F08APU	1.6-8		●	●	●												●											
LM18F08APL	1.6-8		●	●	●													●											
LM18F08APL4	1.6-8		●	●	●														●										
DC 4线	LM12M02APLU	0.4-2	●		●	●										●													
	LM12F04APLU	0.8-4		●	●	●										●													
	LM18M05APLU	1-5	●		●	●										●													
	LM18F08APLU	1.6-8		●	●	●											●												

外形尺寸 Dimensions

LM12M02APU LM12F04APU LM18M05APU LM18F08APU
LM12M02APL LM12F04APL LM18M05APL LM18F08APL
LM12M02APL4 LM12F04APL4 LM18M05APL4 LM18F08APL4
LM12M02APLU LM12F04APLU LM18M05APLU LM18F08APLU



检测范围 Sensing range 10-15mm

M30、EZ40

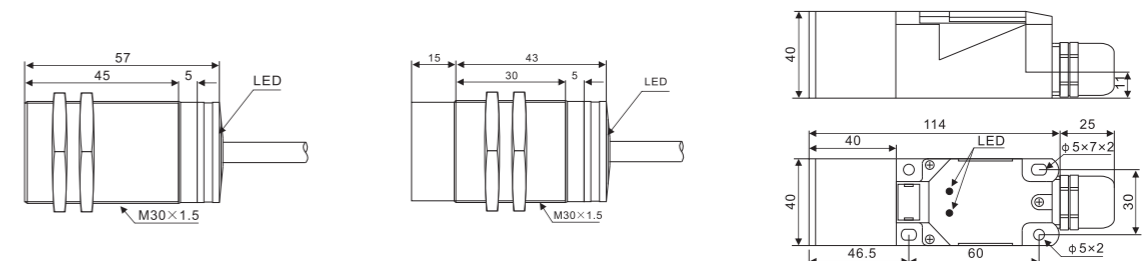


外壳材料: 金属(黄铜镀铬)、塑料(PBT) Shell material: Metal (Chrome plated brass), Plastic (PBT)
外观尺寸: 螺纹M30、40×40 Appearance size: Screw thread M30, 40×40
防护等级: IP67 Protection grade: IP67
环境温度: -25°C~+70°C Ambient temperature: -25°C to +70°C
符合标准: GB/T14048.10 Standard: GB/T14048.10

工作形式 Work form	型号 Type	Sn	安装方式 Installation			电源电压 Power voltage			输出 Output				保护 Protect	连接方式 Connection method														
			感应距离mm Induction distance	齐平安装 Flush mounting	非齐平安装 Non-flush mounting	螺纹安装 Screw installation	10-30VDC	90-250VAC	20-250VAC	NPN	PNP	常开 NO		常闭 NC	LED 指示, 红色 LED indicator, Red	环形LED 指示, 黄色 Annular LED indicator, Yellow	LED 指示, 黄色 LED indicator, Yellow	最大负载电流mA Maximum load current	开关频率Hz Switching frequency	反极性保护 Reverse polarity protection	短路保护 Short circuit protection	电缆(2m) Cable	连接器 Connector					
DC 3线	LM30M10APU	2-10	●		●	●									●													
	LM30M10APL	2-10	●		●	●									●													
	LM30M10APL4	2-10	●		●	●									●													
	LM30F15APU	3-15		●	●	●											●											
	LM30F15APL	3-15		●	●	●											●											
	LM30F15APL4	3-15		●	●	●											●											
	LM30F15APLU	3-15	●		●	●												●										
	LEZ40F15APU	3-15	●		●	●												●										
	LEZ40F15APL	3-15	●		●	●													●									
LEZ40F15APL4	3-15	●		●	●														●									
DC 4线	LM30M10APLU	2-10	●		●	●										●												
	LM30F15APLU	3-15		●	●	●											●											
	LEZ40F15APLU	3-15	●		●	●												●										

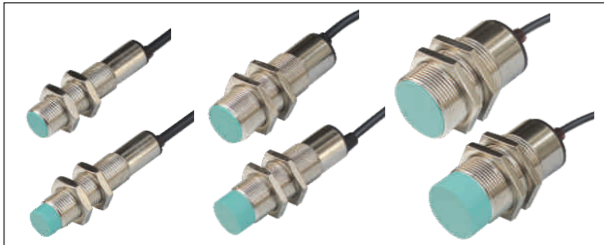
外形尺寸 Dimensions

LM30M10APU LM30M15APU LEZ40F15APU
LM30M10APL LM30M15APL LEZ40F15APL
LM30M10APL4 LM30M15APL4 LEZ40F15APL4
LM30M10APLU LM30M15APLU LEZ40F15APLU



检测范围 Sensing range 1-15mm

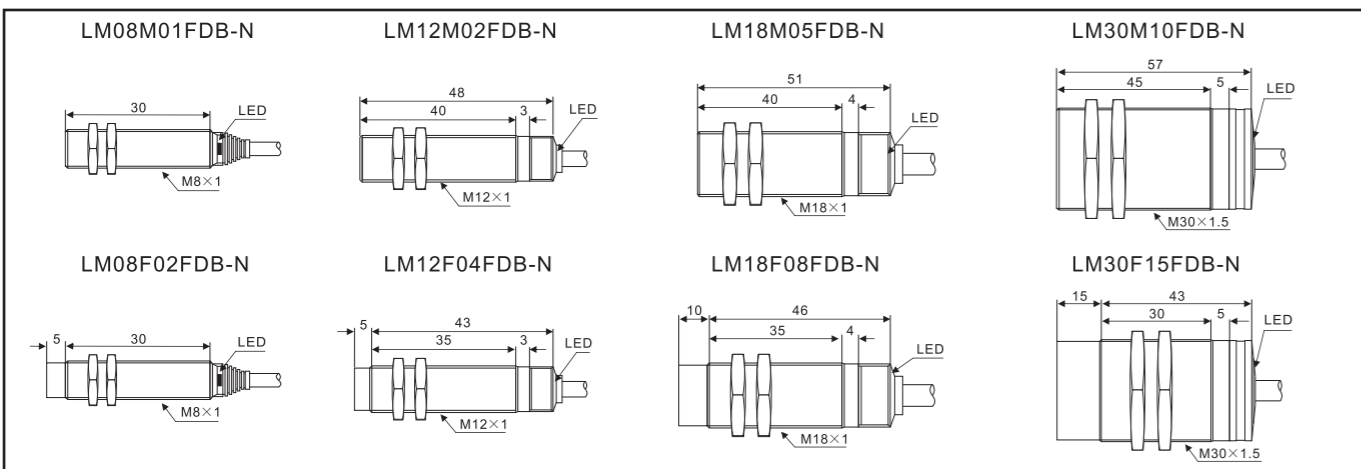
M8、M12、M18、M30



外壳材料 Shell material: 金属(黄铜镀铬) Metal (Chrome plated brass):
 外观尺寸 Appearance size: 螺纹 Screw thread M8、M12、M18、M30
 防护等级 Protection grade: IP67
 环境温度 Ambient temperature: -25°C~+70°C
 符合标准 Standard: GB/T14048.10

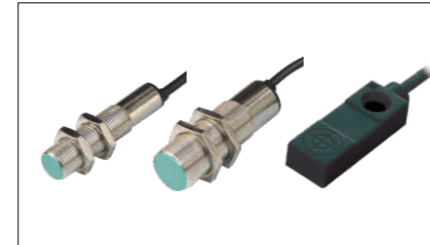
工作形式 Work form	型号 Type	Sn	安装方式 Installation				电源电压 Power voltage				输出 Output				保护 Protect	连接方式 Connection method											
			感应距离mm Induction distance	齐平安装 Flush mounting	非齐平安装 Non-flush mounting	螺纹安装 Screw installation	10-30VDC	90-250VAC	20-250VAC	NPN	PNP	常开 NO	常闭 NC	LED 指示, 红色 LED indicator, Red			环形 LED 指示, 黄色 Annular LED indicator, Yellow	LED 指示, 黄色 LED indicator, Yellow	最大负载电流mA Maximum load current	开关频率Hz Switching frequency	反极性保护 Reverse polarity protection	短路保护 Short circuit protection	电缆(2m) Cable	连接器 Connector			
DC 2线	LM08M01FDB-N	1	●			●									●	●	2.2	2K									
	LM08F02FDB-N	2		●		●									●	●	2.2	1K									
	LM12M02FDB-N	2	●			●									●	●	2.2	2K									
	LM12F04FDB-N	4		●		●									●	●	2.2	1K									
	LM18M05FDB-N	5	●			●									●	●	2.2	1K									
	LM18F08FDB-N	8		●		●									●	●	2.2	1K									
	LM30M10FDB-N	10	●			●									●	●	2.2	1K									
	LM30F15FDB-N	15		●		●									●	●	2.2	800									

外形尺寸 Dimensions



检测范围 Sensing range 10mm

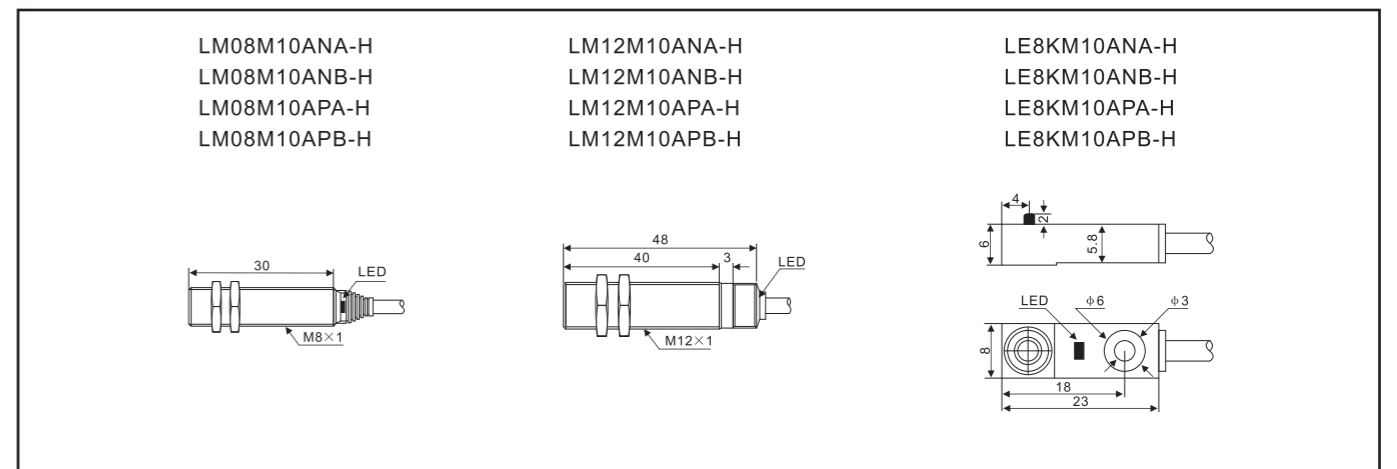
圆柱形 Cylindrical Type M8、M12、E8K



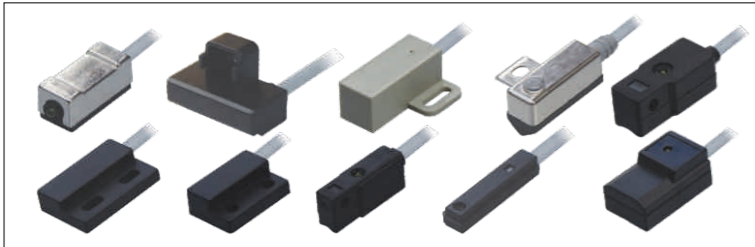
外壳材料: 金属(黄铜镀铬)、塑料(PC) 感应物: 磁感应
 Shell material: Metal (Chrome plated brass), PC
 外观尺寸 Appearance size: 螺纹 Screw thread M8、M12、10×8
 防护等级 Protection grade: IP67
 环境温度 Ambient temperature: -25°C~+70°C
 符合标准 Standard: GB/T14048.10

工作形式 Work form	型号 Type	Sn	安装方式 Installation				电源电压 Power voltage				输出 Output				保护 Protect	连接方式 Connection method											
			感应距离mm Induction distance	齐平安装 Flush mounting	非齐平安装 Non-flush mounting	螺纹安装 Screw installation	10-30VDC	90-250VAC	20-250VAC	NPN	PNP	常开 NO	常闭 NC	LED 指示, 红色 LED indicator, Red			环形 LED 指示, 黄色 Annular LED indicator, Yellow	LED 指示, 黄色 LED indicator, Yellow	最大负载电流mA Maximum load current	开关频率Hz Switching frequency	反极性保护 Reverse polarity protection	短路保护 Short circuit protection	电缆(2m) Cable	连接器 Connector			
DC 3线	LM08M10ANA-H	10	●			●									●	●	50	2K									
	LM08M10ANB-H	10		●		●									●	●	50	2K									
	LM08M10APA-H	10	●			●									●	●	50	2K									
	LM08M10APB-H	10		●		●									●	●	50	2K									
	LM12M10ANA-H	10	●			●									●	●	50	2K									
	LM12M10ANB-H	10		●		●									●	●	50	2K									
	LM12M10APA-H	10	●			●									●	●	50	2K									
	LM12M10APB-H	10		●		●									●	●	50	2K									
	LE8KM10ANA-H	10	●			●									●	●	50	2K									
	LE8KM10ANB-H	10		●		●									●	●	50	2K									
	LE8KM10APA-H	10	●			●									●	●	50	2K									
	LE8KM10APB-H	10		●		●									●	●	50	2K									

外形尺寸 Dimensions



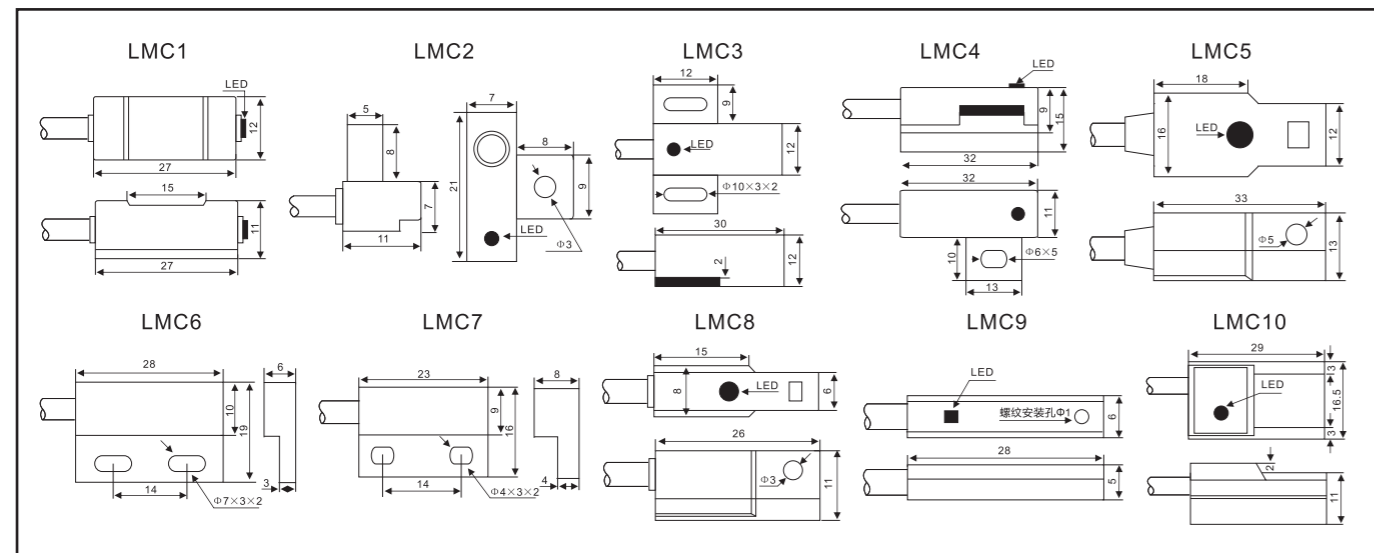
检测范围 Sensing range 20mm



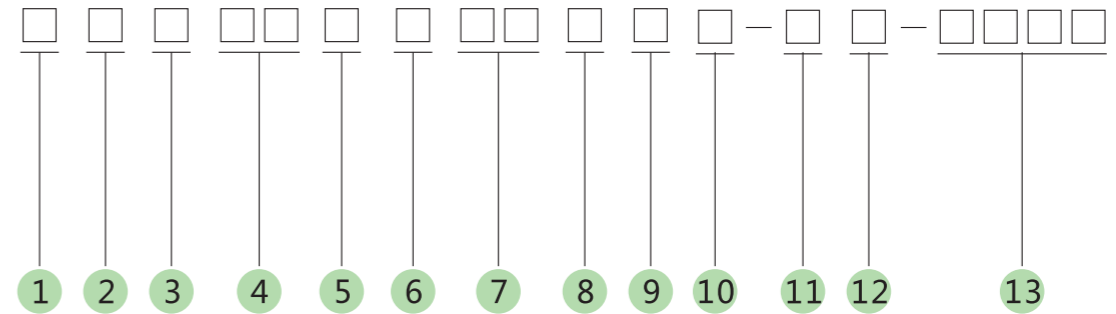
外壳材料Shell material: 金属Metal、塑料Plastic(PC)
感应物Induction: 磁感应magnetic induction
防护等级Protection grade: IP65
环境温度Ambient temperature: -25°C~+70°C
符合标准Standard: GB/T14048.10

工作形式 Work form	型号 Type	Sn	安装方式 Installation			电源电压 Power voltage			输出 Output						保护 Protect	连接方式 Connection method						
			感应距离mm Induction distance	齐平安装 Flush mounting	非齐平安装 Non-flush mounting	螺纹安装 Screw installation	10-30VDC	90-250VAC	20-250VAC	NPN	PNP	常开 NO	常闭 NC	LED 指示, 红色 LED indicator, Red		环形LED 指示, 黄色 Annular LED indicator, Yellow	LED 指示, 黄色 LED indicator, Yellow	最大负载电流mA Maximum load current	开关频率Hz Switching frequency	反极性保护 Reverse polarity protection	短路保护 Short circuit protection	电缆(2m) Cable
DC 2线 AC 2线	LMC1	10				●	●				●					●						
	LMC2	10				●	●				●					●						
	LMC3	10				●	●				●					●						
	LMC4	10				●	●				●					●						
	LMC5	10				●	●				●					●						
	LMC6	10				●	●				●					●						
	LMC7	10				●	●				●					●						
	LMC8	10				●	●				●					●						
	LMC9	10				●	●				●					●						
	LMC10	10				●	●				●					●						

外形尺寸 Dimensions



型号描述规则 Model Name Explanation



1. 分类代号

Classification code

F: 光电开关
Photoelectric sensor

2. 外形代号

Shape code

M: 圆柱形Cylindrical
E: 方形Square
Q: 光滑圆柱形
Smooth Cylindrical
H: 环形Ring
U: 槽型U-shaped

3. 外形尺寸

Overall dimensions

无: 标准型Standard Type
A: 短型Short Type
B: 长型Long Type

4. 尺寸代号

Size code

数字: 外壳尺寸
Numbers: Sizes of shell
如: 08: M8
For Example 08: M8

5. 外壳材料

Shell Material

无: 金属铜壳Metal Brass
S: 塑料Plastic
B: 不锈钢Stainless Steel
L: 铝质Aluminum

6. 安装形式

Installation

D: 漫反射式Diffuse Type
R: 镜面反射式Reflection Type
T: 对射式Through Type
M: 色标检测式Contrast
Color Detection Type
Y: 背景抑制式Background
Suppression Type

7. 检测距离

Detection Range

C10: 10cm
C40: 40cm
M5: 5m
M10: 10m

8. 工作电压

Operating Voltage

A: 10...30VDC
B: 10...60VDC
C: 20...250VAC
D: 90...250VAC
E: 20...250VDC/AC
F: 8.2VDC
L: 5VDC
S: 380VAC

9. 输出方式

Output Method

A: AC二线 AC 2-wire
P: PNP
N: NPN
E: NPN/PNP
F: NPN+PNP
K: 继电器 Relay

10. 输出状态

Output State

C: 常开常闭可逆
NO/NC Reversible
D: 常开/常闭可选
NO/NC Selectable
A: 常开NO
B: 常闭NC
R: 常开+常闭NO+NC

11. 延时状态

Time delay state

无: 不带延时功能
No Delay Function
T1: 带前延时功能
Pre-delay Function
T2: 带后延时功能
Post-delay Function
T3: 带前后延时功能
Pre and Post Delay Function

12. 连接形式

Connection Method

无: 2m 引线式 2m cable
E1: M8三芯插件M8
3-pin Connector
E2: M12 四芯插件M12
4-pin Connector
E3: M12 四芯梯形插件
4-pin Trapezoid-shaped
Connector
E4: M12五芯插件
5-pin Connector
D: 内端子接线
Terminal Connection

13. 特殊要求

Special requirements

用四位数字表示
Described with 4-digit
number

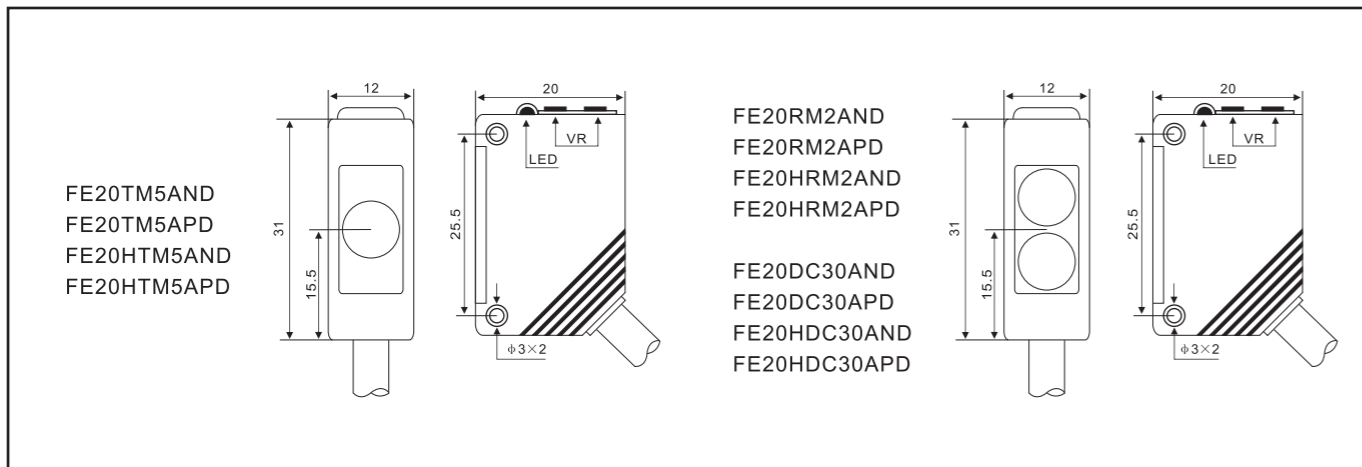
FE20系列



外壳材料：塑料外壳(ABS) Shell material:Plastic shell (ABS)
亮通 /暗通 Light on/Dark on
旋钮式灵敏度调节 Sensitivity adjustment knob
连接方式可选 Connection Optional

工作形式 Work form	型号 Type	Sn	安装方式 Installation	电源电压 Power voltage	输出 Output				保护 Protect	连接方式 Connection method										
					常开/常闭可逆 No/nc reversible	LED 电源指示 LED power indicator	LED 指示, 黄色 LED indicator,yellow	最大负载电流mA Maximum load current			响应时间ms Response time ms	IP等级 IP level	反极性保护 Reverse polarity protection	短路保护 Short circuit protection	电缆(2m) Cable	连接器 Connector				
对射型 Through Type	FE20TM5AND	5M		10-30VDC				200	<3	66										
	FE20TM5APD	5M		20-250VAC				200	<3	66										
	FE20HTM5AND	5M	●					200	<3	66	●									
	FE20HTM5APD	5M	●					200	<3	66	●									
反射板型 Reflection Type	FE20RM2AND	2M						200	<3	66										
	FE20RM2APD	2M	●					200	<3	66										
	FE20HRM2AND	2M	●	●				200	<3	66	●									
	FE20HRM2APD	2M	●	●				200	<3	66	●									
漫反射型 Diffuse type	FE20DC30AND	300						200	<3	66										
	FE20DC30APD	300	●					200	<3	66										
	FE20HDC30AND	300	●	●				200	<3	66	●									
	FE20HDC30APD	300	●	●				200	<3	66	●									

外形尺寸 Dimensions



FE45系列

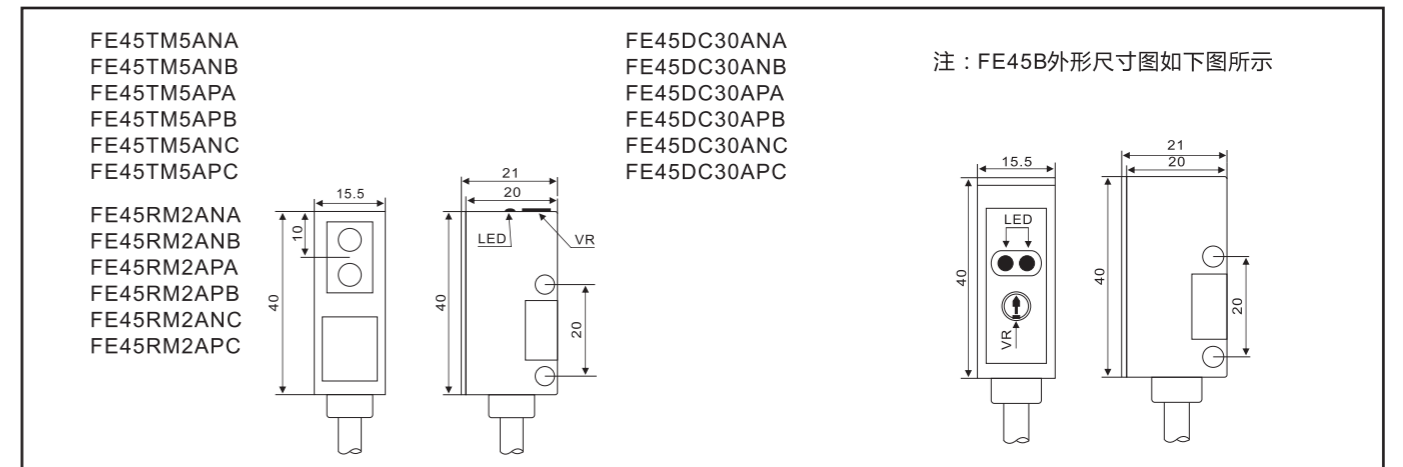


外壳材料：塑料外壳(ABS) Shell material:Plastic shell (ABS)
亮通 /暗通 Light on/Dark on
旋钮式灵敏度调节 Sensitivity adjustment knob
连接方式可选 Connection Optional

方形 Square Type E45

工作形式 Work form	型号 Type	Sn	安装方式 Installation	电源电压 Power voltage	输出 Output				保护 Protect	连接方式 Connection method										
					常开/常闭可逆 No/nc reversible	LED 电源指示 LED power indicator	LED 指示, 黄色 LED indicator,yellow	最大负载电流mA Maximum load current			响应时间ms Response time ms	IP等级 IP level	反极性保护 Reverse polarity protection	短路保护 Short circuit protection	电缆(2m) Cable	连接器 Connector				
对射型 Through Type	FE45TM5ANA	5M		10-30VDC				200	<3	66										
	FE45TM5ANB	5M		20-250VAC				200	<3	66										
	FE45TM5APA	5M	●					200	<3	66	●									
	FE45TM5APB	5M	●					200	<3	66	●									
	FE45TM5ANC	5M	●					300	<3	66	●									
	FE45TM5APC	5M	●					300	<3	66	●									
反射板型 Reflection Type	FE45RM2ANA	2M						200	<3	66										
	FE45RM2ANB	2M	●					200	<3	66										
	FE45RM2APA	2M	●	●				200	<3	66	●									
	FE45RM2APB	2M	●	●				200	<3	66	●									
	FE45RM2ANC	2M	●					200	<3	66	●									
	FE45RM2APC	2M	●					200	<3	66	●									
漫反射型 Diffuse type	FE45DC30ANA	300	●					200	<3	66										
	FE45DC30ANB	300	●					200	<3	66										
	FE45DC30APA	300	●	●				200	<3	66	●									
	FE45DC30APB	300	●	●				200	<3	66	●									
	FE45DC30ANC	300	●					200	<3	66	●									
	FE45DC30APC	300	●					200	<3	66	●									

外形尺寸 Dimensions



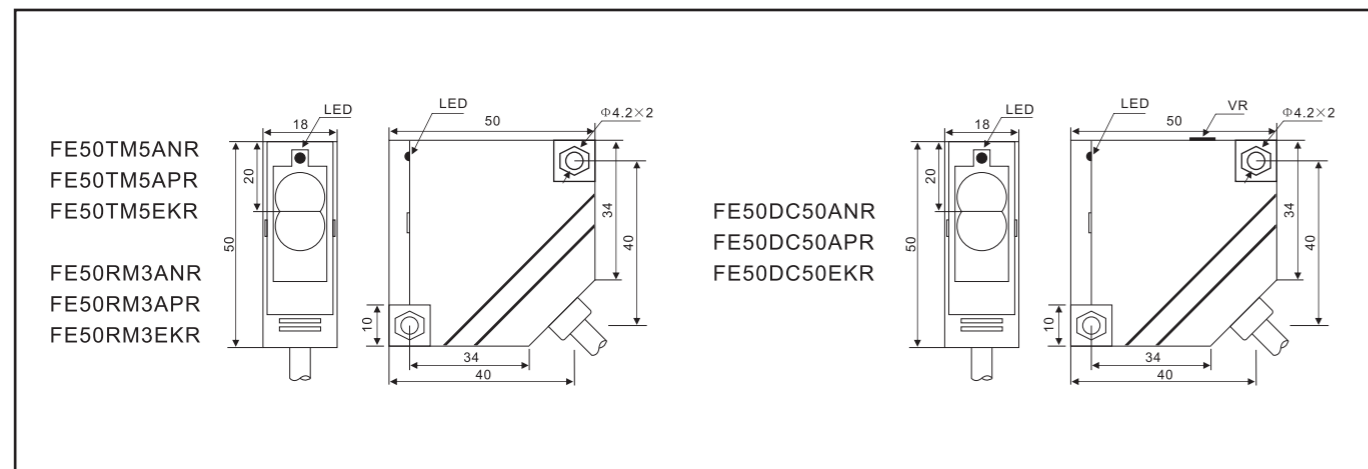
FE50系列



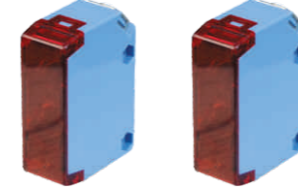
外壳材料：塑料外壳(ABS) Shell material:Plastic shell (ABS)
 亮通 /暗通 Light on/Dark on
 旋钮式灵敏度调节 Sensitivity adjustment knob
 连接方式可选 Connection Optional

工作形式 Work form	型号 Type	Sn	安装方式 Installation	电源电压 Power voltage	输出 Output								保护 Protect	连接方式 Connection method			
					最大感应距离mm Max induction distance	灵敏度调节 Sensitivity Adjustment	可见红光LED Visible red light	红外光LED Infrared light LED	10-30VDC	20-250VAC	NPN	PNP			常开 NO	常闭 NC	
对射型 Through type	FE50TM5ANR	5M															
	FE50TM5APR	5M															
	FE50TM5EKR	5M															
反射板型 Reflection Type	FE50RM3ANR	3M															
	FE50RM3APR	3M															
	FE50RM3EKR	3M															
漫反射型 Diffuse type	FE50DC50ANR	500															
	FE50DC50APR	500															
	FE50DC50EKR	500															

外形尺寸 Dimensions



PE60系列

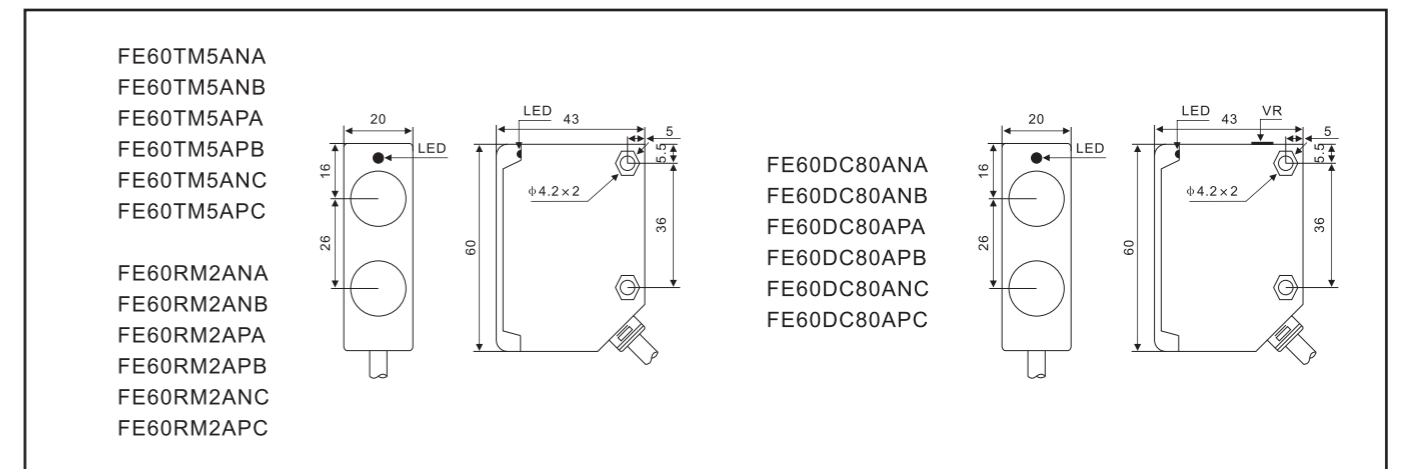


外壳材料：塑料外壳(ABS) Shell material:Plastic shell (ABS)
 亮通 /暗通 Light on/Dark on
 旋钮式灵敏度调节 Sensitivity adjustment knob
 连接方式可选 Connection Optional

方形 Square Type E60

工作形式 Work form	型号 Type	Sn	安装方式 Installation	电源电压 Power voltage	输出 Output								保护 Protect	连接方式 Connection method			
					最大感应距离mm Max induction distance	灵敏度调节 Sensitivity Adjustment	可见红光LED Visible red light	红外光LED Infrared light LED	10-30VDC	20-250VAC	NPN	PNP			常开 NO	常闭 NC	
对射型 Through Type	FE60TM5ANA	5M															
	FE60TM5ANB	5M															
	FE60TM5APA	5M															
	FE60TM5APB	5M															
	FE60TM5ANC	5M															
	FE60TM5APC	5M															
反射板型 Reflection Type	FE60RM2ANA	2M															
	FE60RM2ANB	2M															
	FE60RM2APA	2M															
	FE60RM2APB	2M															
	FE60RM2ANC	2M															
	FE60RM2APC	2M															
漫反射型 Diffuse type	FE60DC80ANA	800															
	FE60DC80ANB	800															
	FE60DC80APA	800															
	FE60DC80APB	800															
	FE60DC80ANC	800															
	FE60DC80APC	800															

外形尺寸 Dimensions



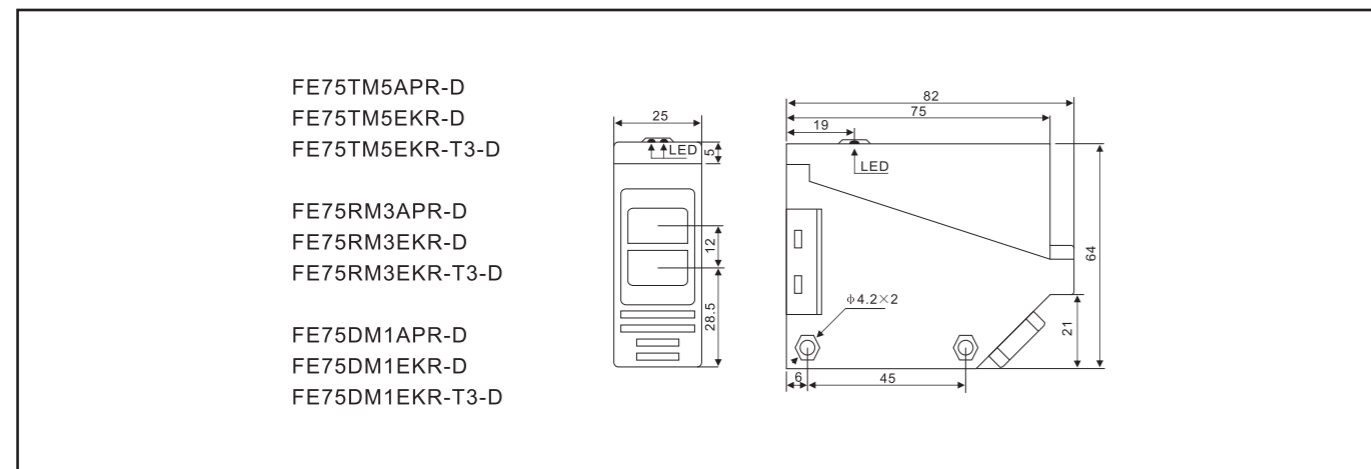
FE75系列



外壳材料：塑料外壳(ABS) Shell material:Plastic shell (ABS)
 亮通 /暗通 Light on/Dark on
 旋钮式灵敏度调节 Sensitivity adjustment knob
 AC/DC继电器输出型，时间功能可选 AC/DC Relay output type, Time function is optional
 连接方式可选 Connection Optional

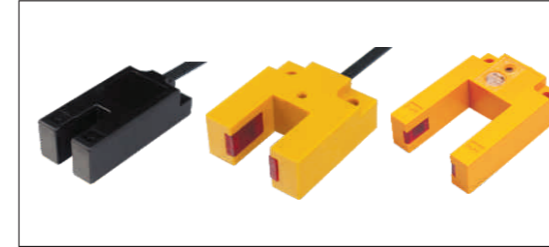
工作形式 Work form	型号 Type	Sn	安装方式 Installation	电源电压 Power voltage	输出 Output				保护 Protect		连接方式 Connection method															
					最大感应距离mm Max induction distance	灵敏度调节 Sensitivity Adjustment	可见红光LED Visible red light	红外光LED Infrared light LED	10-30VDC	20-250VAC	NPN	PNP	常开 NO	常闭 NC	常开/常闭可逆 No/nc reversible	LED 电源指示 LED power indicator	LED 指示，黄色 LED indicator,yellow	最大负载电流mA Maximum load current	响应时间ms Response time ms	IP等级 IP level	反极性保护 Reverse polarity protection	短路保护 Short circuit protection	电缆(2m) Cable	连接器 Connector		
对射型 Through Type	FE75TM5APR-D	20M	●	●	●	●	●	●	●	●	●	●	●	●	●	200	<3	66	●	●	●	●	●	●	●	●
	FE75TM5EKR-D	20M	●	●	●	●	●	●	●	●	●	●	●	●	●	3A	<30	66	●	●	●	●	●	●	●	●
	FE75TM5EKR-T3-D	20M	●	●	●	●	●	●	●	●	●	●	●	●	●	3A	<30	66	●	●	●	●	●	●	●	●
反射板型 Reflection Type	FE75RM3APR-D	7M	●	●	●	●	●	●	●	●	●	●	●	●	●	200	<3	66	●	●	●	●	●	●	●	●
	FE75RM3EKR-D	7M	●	●	●	●	●	●	●	●	●	●	●	●	●	3A	<30	66	●	●	●	●	●	●	●	●
	FE75RM3EKR-T3-D	7M	●	●	●	●	●	●	●	●	●	●	●	●	●	3A	<30	66	●	●	●	●	●	●	●	●
漫反射型 Diffuse type	FE75DM1APR-D	1M	●	●	●	●	●	●	●	●	●	●	●	●	●	200	<3	66	●	●	●	●	●	●	●	●
	FE75DM1EKR-D	1M	●	●	●	●	●	●	●	●	●	●	●	●	●	3A	<30	66	●	●	●	●	●	●	●	●
	FE75DM1EKR-T3-D	1M	●	●	●	●	●	●	●	●	●	●	●	●	●	3A	<30	66	●	●	●	●	●	●	●	●

外形尺寸 Dimensions



FU07 FU15 FU30系列

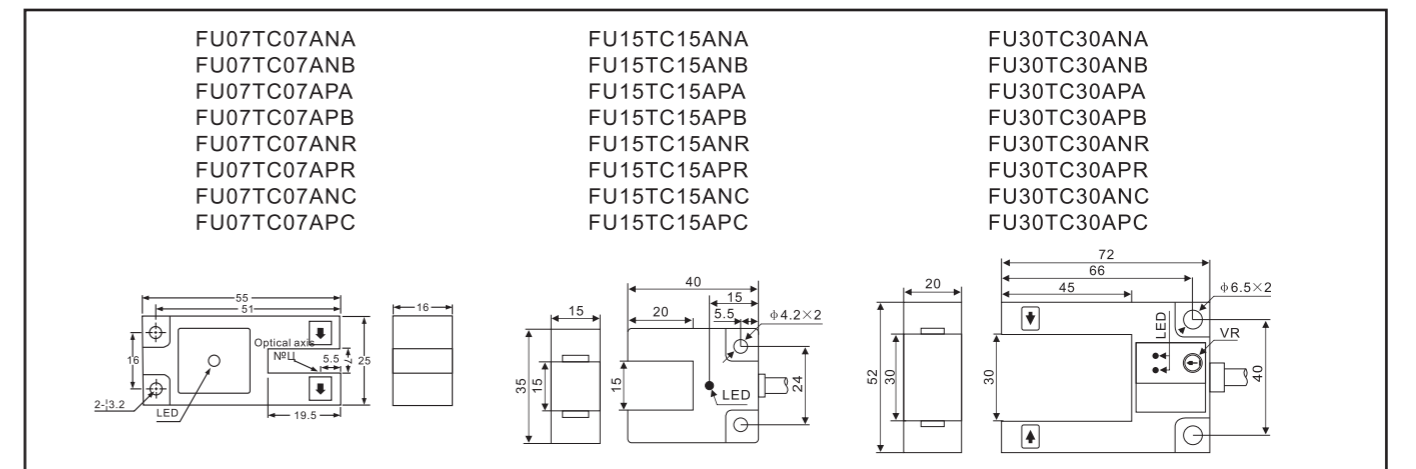
槽形 Trough shape U07、U15、U30



外壳材料：塑料外壳(PC、ABS) Shell material:Plastic shell (ABS)
 亮通 /暗通 Light on/Dark on
 旋钮式灵敏度调节 Sensitivity adjustment knob
 连接方式可选 Connection Optional

工作形式 Work form	型号 Type	Sn	安装方式 Installation	电源电压 Power voltage	输出 Output				保护 Protect		连接方式 Connection method																
					最大感应距离mm Max induction distance	灵敏度调节 Sensitivity Adjustment	可见红光LED Visible red light	红外光LED Infrared light LED	10-30VDC	20-250VAC	NPN	PNP	常开 NO	常闭 NC	常开/常闭可逆 No/nc reversible	LED 电源指示 LED power indicator	LED 指示，黄色 LED indicator,yellow	最大负载电流mA Maximum load current	响应时间ms Response time ms	IP等级 IP level	反极性保护 Reverse polarity protection	短路保护 Short circuit protection	电缆(2m) Cable	连接器 Connector			
对射型 Through Type	FU07TC07ANA	70		●	●	●	●	●	●	●	●	●	●	●	●	200	<1	66	●	●	●	●	●	●	●	●	
	FU07TC07ANB	70		●	●	●	●	●	●	●	●	●	●	●	●	200	<1	66	●	●	●	●	●	●	●	●	
	FU07TC07APA	70		●	●	●	●	●	●	●	●	●	●	●	●	200	<1	66	●	●	●	●	●	●	●	●	
	FU07TC07APB	70		●	●	●	●	●	●	●	●	●	●	●	●	200	<1	66	●	●	●	●	●	●	●	●	
	FU07TC07ANR	70		●	●	●	●	●	●	●	●	●	●	●	●	300	<1	66	●	●	●	●	●	●	●	●	
	FU07TC07APR	70		●	●	●	●	●	●	●	●	●	●	●	●	300	<1	66	●	●	●	●	●	●	●	●	
	FU15TC15ANA	150		●	●	●	●	●	●	●	●	●	●	●	●	200	<1	66	●	●	●	●	●	●	●	●	
	FU15TC15ANB	150		●	●	●	●	●	●	●	●	●	●	●	●	200	<1	66	●	●	●	●	●	●	●	●	
	FU15TC15APA	150		●	●	●	●	●	●	●	●	●	●	●	●	200	<1	66	●	●	●	●	●	●	●	●	
	FU15TC15APB	150		●	●	●	●	●	●	●	●	●	●	●	●	200	<1	66	●	●	●	●	●	●	●	●	
	FU15TC15ANR	150		●	●	●	●	●	●	●	●	●	●	●	●	200	<1	66	●	●	●	●	●	●	●	●	
	FU15TC15APR	150		●	●	●	●	●	●	●	●	●	●	●	●	200	<1	66	●	●	●	●	●	●	●	●	
	FU15TC15ANC	150		●	●	●	●	●	●	●	●	●	●	●	●	200	<1	66	●	●	●	●	●	●	●	●	
	FU15TC15APC	150		●	●	●	●	●	●	●	●	●	●	●	●	200	<1	66	●	●	●	●	●	●	●	●	
	FU30TC30ANA	300	●		●	●	●	●	●	●	●	●	●	●	●	200	<1	66	●	●	●	●	●	●	●	●	●
	FU30TC30ANB	300	●		●	●	●	●	●	●	●	●	●	●	●	200	<1	66	●	●	●	●	●	●	●	●	●
	FU30TC30APA	300	●		●	●	●	●	●	●	●	●	●	●	●	200	<1	66	●	●	●	●	●	●	●	●	●
	FU30TC30APB	300	●		●	●	●	●	●	●	●	●	●	●	●	200	<1	66	●	●	●	●	●	●	●	●	●
	FU30TC30ANR	300	●		●	●	●	●	●	●	●	●	●	●	●	200	<1	66	●	●	●	●	●	●	●	●	●
	FU30TC30APR	300	●		●	●	●	●	●	●	●	●	●	●	●	200	<1	66	●	●	●	●	●	●	●	●	●
FU30TC30ANC	300	●		●	●	●	●	●	●	●	●	●	●	●	200	<1	66	●	●	●	●	●	●	●	●	●	
FU30TC30APC	300	●		●	●	●	●	●	●	●	●	●	●	●	200	<1	66	●	●	●	●	●	●	●	●	●	

外形尺寸 Dimensions



FG15系列



坚固，ABS塑料外壳，连接器或带电缆形式
DLV导轨安装
通过薄膜键设置，Teach-in 功能
根据不同的应用有塑料和玻璃光纤
较强的防震和耐高温光纤

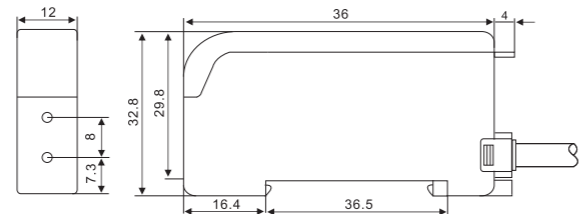
Solid ABS plastic shell with cable or connector
DLV guide installation
Teach-in function set by the film key
Plastic fiber or glass fiber for different application
Strong shock resistance and high temperature resistance fiber

工作形式 Work form	型号 Type	Sn	安装方式 Installation	电源电压 Power voltage	输出 Output						保护 Protect			连接方式 Connection method		
					最大感应距离mm Max induction distance	可见红光LED Visible red light	10-30VDC	NPN	PNP	预警输出 Warning output	暗通/亮通选择按钮 Dark on/Light on selection button	电源LED指示 LED power indicator	输出/预报LED指示 Output/forecasting warning LED indicator	最大负载电流mA Maximum load current	最大开关频率Hz Maximum switching frequency	极性保护 Reverse polarity protection
塑料光纤 传感器 Plastic Optical Fiber Sensor	FG15-K-N	●	●	●	●	●	●	●	●	200	1.5K	●	●	65	●	
	FG15-K-P	●	●	●	●	●	●	●	●	200	1.5K	●	●	65	●	
	FG15-K-N-E1	●	●	●	●	●	●	●	●	200	1.5K	●	●	65	●	●
	FG15-K-P-E1	●	●	●	●	●	●	●	●	200	1.5K	●	●	65	●	●
玻璃光纤 传感器 Glass Optical Fiber Sensor	FG15-G-N	●	●	●	●	●	●	●	●	200	1.5K	●	●	65	●	
	FG15-G-P	●	●	●	●	●	●	●	●	200	1.5K	●	●	65	●	
	FG15-G-N-E1	●	●	●	●	●	●	●	●	200	1.5K	●	●	65	●	●
	FG15-G-P-E1	●	●	●	●	●	●	●	●	200	1.5K	●	●	65	●	●

外形尺寸 Dimensions

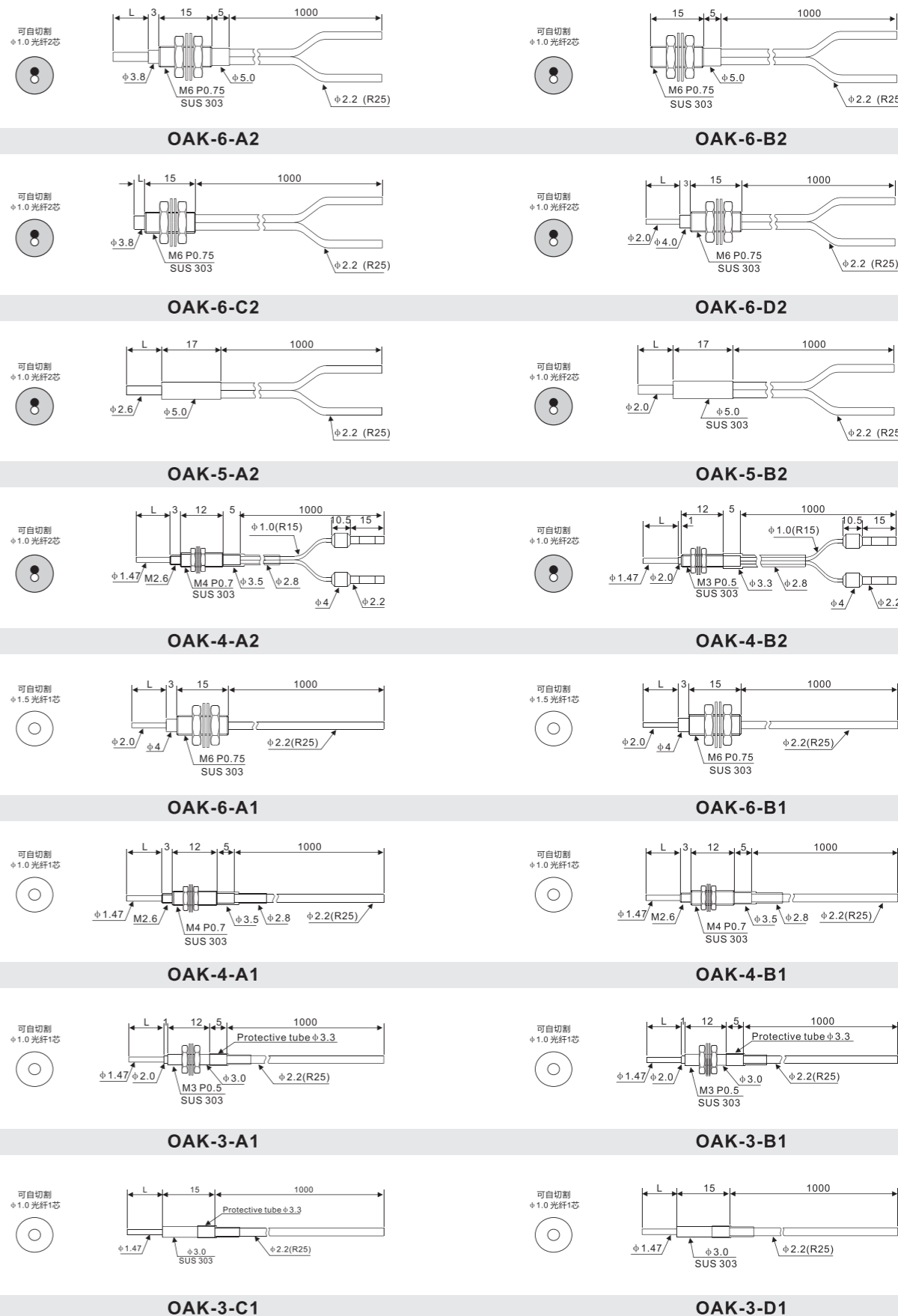
FG15-K-N
FG15-K-P
FG15-K-N-E1
FG15-K-P-E1

FG15-G-N
FG15-G-P
FG15-G-N-E1
FG15-G-P-E1



OAK系列

光纤线选择及尺寸 Fiber Selection and Size



FS系列、FT系列 FS series, FT series



外壳材料：塑料、金属外壳 Shell material: plastic, metal shell
 亮通/暗通 Light on/Dark on
 灵敏度调节 Sensitivity Adjustment
 连接方式可选

工作形式 Sensor type	型号 Type	Sn	光源 Light Source	电源 Power	输出 Output	保护 Protection	连接方式 Connection method
		最大感应距离mm Maximum Range	红色(Red)LED 绿色(Green)LED 蓝色(Blue)LED	10-30VDC 推挽输出 Push-pull Output 模拟量0.1-10mA Analog 0.1-10mA 亮通/暗通选择 Light on/Dark on Optional 电源指示灯LED Power Indicator LED 输出预警LED指示 Output Warning Indicator LED	最大负载电流mA Maximum Load Current 最大开关频率Hz Maximum Switching Frequency 响应时间ms Response time ms 极性保护 Polarity Protection 短路保护 Circuit-short Protection IP等级Degree 电缆长度(2m) 连接器Connector		
色标传感器 (动态) Color Mark Sensor	FSM-AD-R	9.5±3	●	●	●	●	●
	FSM-AD-G	9.5±3	●	●	●	●	●
	FSM-AD-B	9.5±3	●	●	●	●	●
	FSM-AD-R-M	9.5±3	●	●	●	●	●
	FTM-AD-R	9.5±3	●	●	●	●	●
	FTM-AD-G	9.5±3	●	●	●	●	●
	FTM-AD-B	9.5±3	●	●	●	●	●
	FTM-AD-R-M	9.5±3	●	●	●	●	●

光源选择 Light Source Selection

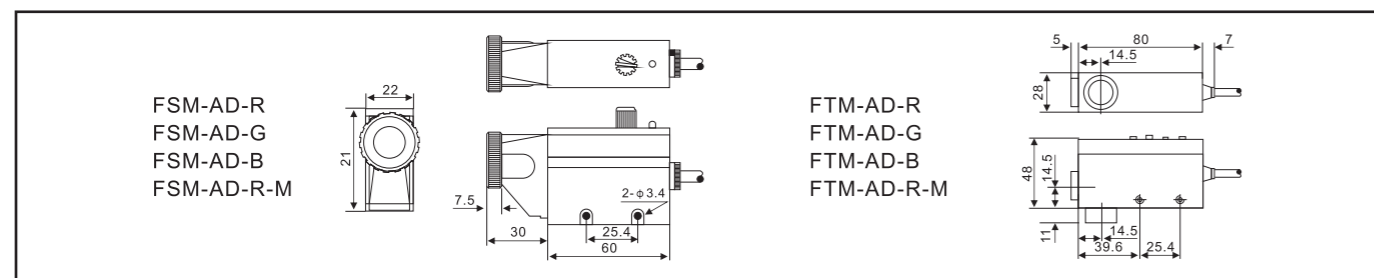
背 景 ↑	红光LED										绿光LED										
	黑	银	红	橙	黄	绿	蓝	靛	紫	白	黑	银	红	橙	黄	绿	蓝	靛	紫	白	
黑	-	○	○	○	○	○	○	○	○	○	黑	-	○	○	○	○	○	○	○	○	○
银	○	-	○	○	○	○	○	○	○	○	银	○	-	○	○	○	○	○	○	○	○
红	○	○	-	○	○	○	○	○	○	○	红	○	○	-	○	○	○	○	○	○	○
橙	○	○	○	-	○	○	○	○	○	○	橙	○	○	○	-	○	○	○	○	○	○
黄	○	○	○	○	-	○	○	○	○	○	黄	○	○	○	○	-	○	○	○	○	○
绿	○	○	○	○	○	-	○	○	○	○	绿	○	○	○	○	○	-	○	○	○	○
蓝	○	○	○	○	○	○	-	○	○	○	蓝	○	○	○	○	○	○	-	○	○	○
靛	○	○	○	○	○	○	○	-	○	○	靛	○	○	○	○	○	○	○	-	○	○
紫	○	○	○	○	○	○	○	○	-	○	紫	○	○	○	○	○	○	○	○	-	○
白	○	○	○	○	○	○	○	○	○	-	白	○	○	○	○	○	○	○	○	○	-
	黑	银	红	橙	黄	绿	蓝	靛	紫	白		黑	银	红	橙	黄	绿	蓝	靛	紫	白

标志 →
○ 容易检出 × 困难检出

注意事项 Note

- 通电前务必检查所用电源是否DC12-24V.
 - 为保证检测的稳定性, 需注意两点: 一是检测距离必须在额定范围内. 二是严格按照操作步骤调节灵敏度, 更换材料需重新调节.
 - 安装时防止强光照射镜头.
 - 注意工作环境的温度, 湿度, 振动, 冲击等因素. 保护好光学镜头的清洁, 减少灰尘.
- Check if the power supply is between 12-24V DC before the sensor is powered.
 - Two points to ensure the stability of detection: The first is the target must be put closer than rated range. Second is adjust the sensitivity strictly according to the necessary steps.
 - Avoid strong light shine directly into the optical lens during installation.
 - Watch the ambient factors like temperature, humidity, vibration, shock and etc. Protect the lens clean from dusts.

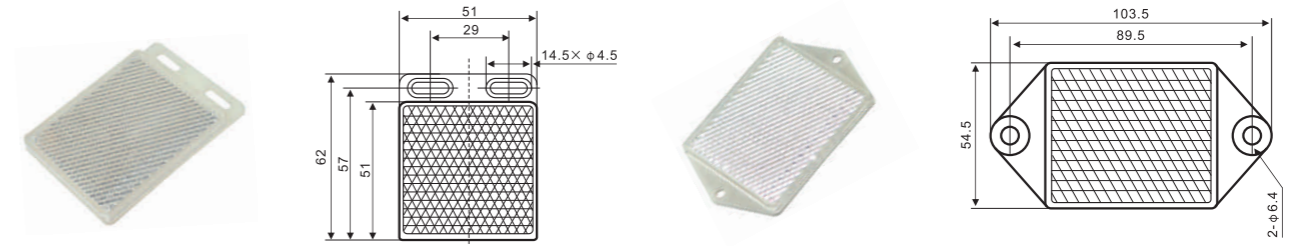
外形尺寸 Dimensions



产品型号Model

TD-01

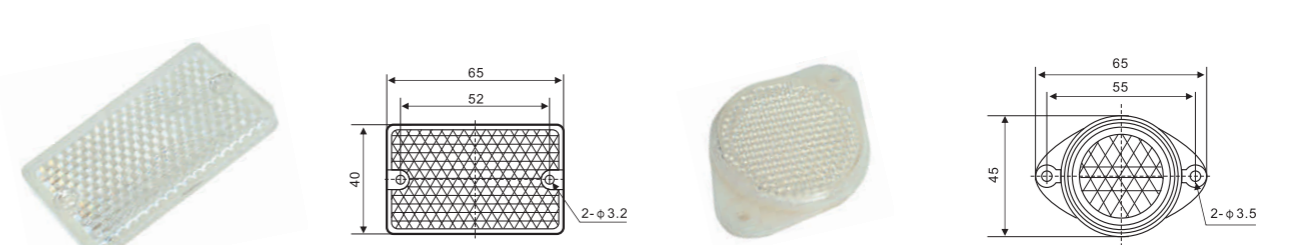
TD-01-1



产品型号Model

TD-02

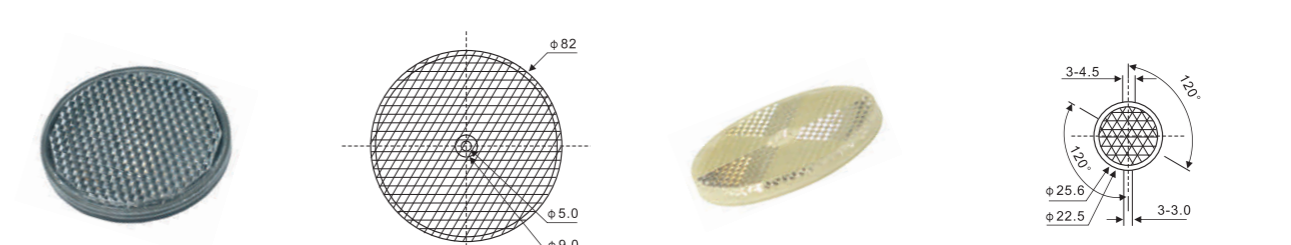
TD-04



产品型号Model

TD-05

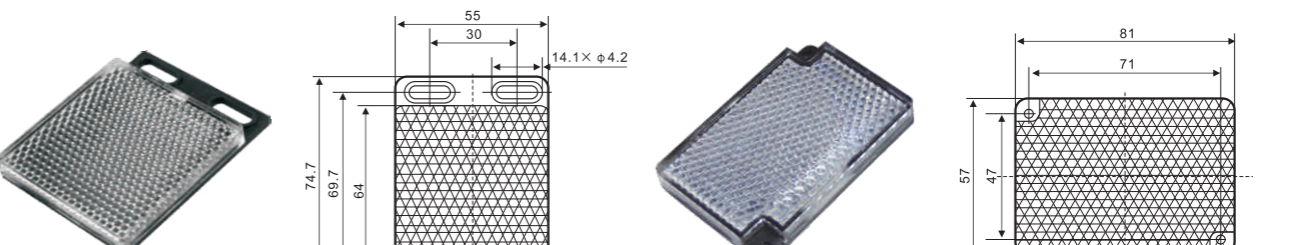
TD-06



产品型号Model

TD-08

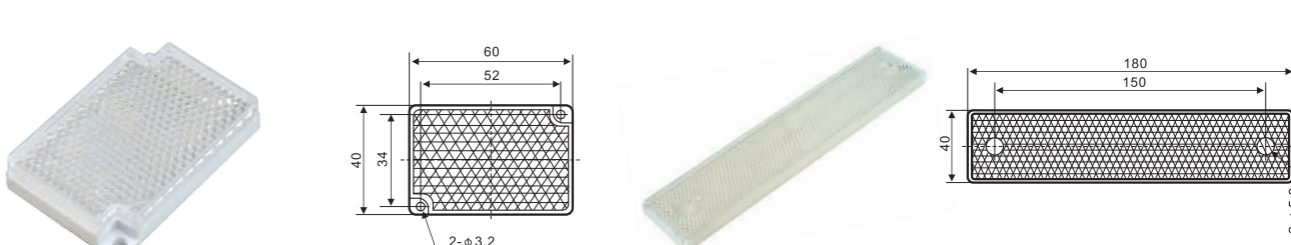
TD-09



产品型号Model

MS-2

TD-10



安全可靠的光幕传感器

Safe and Reliable Area Security Sensor



适用于自动化流水线、电梯、危险禁区、锻压机、冲剪机床、切纸机等安全检测、起保护作用。
采用同步扫描技术，光路密集、抗干扰能力强，安装方便。
具有抗相互干扰功能，可以2套以上紧贴安装。
具有故障逢检功能，掉电停止、内部器件失灵停止、物体入侵停止信号输出。
配套专用控制器，提供强大的控制功能。

Applied for safe detection and protection of automatic assembly line, elevator, danger restricted zone, metal forming machine, punching and shearing machine tool, paper cutter and so on.
It adopts synchronism scanning technology, concentrated beams so that there is no blind area.
It has strong anti-interference function and is easy to install. Resistant to mutual interference, two sets and more of the sensors can be closely mounted together.
It has the function of fault self-check, and output a stop signal when there is self-check fault, power failure, inner component fault, connection fault, and an object invading.

Attached with specific controller, providing powerful control.
Can substitute for similar products made by SICK, STI, KEYENCE, Honeywell Corp.

检测方式 Detection way	型号 Type	控制输出 Control output	检测距离 Detection distance	光轴距 Optic axis distance	光轴数 Optic axis number	检测幅宽 Detection width	最小可检测物体 Min.detectable object
对射式 Through-beam 4CM 间距	LGGM40-4N	N:NPN P:PNP J:继电器输出 J:Realy output	≤3m	40mm	4	120	φ 50mm
	LGGM40-4J				6	200	
	LGGM40-6N						
	LGGM40-6J				10	360	
	LGGM40-8N						
	LGGM40-8J				16	600	
	LGGM40-10N						
	LGGM40-10J				24	920	
	LGGM40-12N						
	LGGM40-12J				24	920	
	LGGM40-16N						
	LGGM40-16J				24	920	
	LGGM40-20N						
	LGGM40-20J				24	920	
LGGM40-24N	24	920					
LGGM40-24J			24	920			
对射式 Through-beam 2CM 间距	LGGM20-4N	N:NPN P:PNP J:继电器输出 J:Realy output			≤3m	20mm	4
	LGGM20-4J		6	100			
	LGGM20-6N						8
	LGGM20-6J		10	190			
	LGGM20-8N						12
	LGGM20-8J		16	300			
	LGGM20-10N						20
	LGGM20-10J		24	460			
	LGGM20-12N						20
	LGGM20-12J		24	460			
	LGGM20-16N						20
	LGGM20-16J		24	460			
	LGGM20-20N						24
	LGGM20-20J		24	460			
LGGM20-24N	24	460					
LGGM20-24J			24	460			

性能Performance

电源电压 Mains voltage	N:12-24VDC J:10-48VDC/VAC
消耗电流 Consumption current	100mA以下 Under 100mA
响应时间 Response time	200mS以下 Under 200mS
输出形式 Output form	集电极开路NPN型, 电流mA, 残余电压1.6V Collector open circuit NPN type :current 100mA,residual voltage 1.6V
输出状态 Output state	所有光轴受光时 ON ON when all the optic axis is photic
光源 Optic source	红外线LED infrared ray LED
连接方式 Connection way	配专用电缆连接器 With specific cable connector
壳体材料 Shell material	铝合金, 滤色罩 Al alloy,color filter cover:PMMA
耐环境光 Environment-resisting light	白炽灯:受光面照度3000Lx,太阳光:受光面照度10000Lx Incandescent lamp:intensity of illumintion of photic surface 3000Lx
环境温度 Ambient temperature	工作时: -10—50°C, 存储时: -40—70°C -10—50°C At work -40-70°C In stock
环境湿度 Environment humidity	工作时: 35-85%RH, 存储时35-95%RH 35-85%RH At work 35-95%RH In stock
振动 Vibration	振动频率: 10-50Hz, 振动幅度: 1.5mm, X,Y,Z 方向各2小时 Vibration frequency:10-50Hz,Vibration range:1.5mm each direction of X,Y,Z for 3 hours
冲击 Shock	加速度500/s ² (约50g)X,Y,Z方向各3次 Acceleration:500/S(about 50g) each direction of X,Y,Z for 3hours

控制器性能 Controller Performance

型号Type	LGGM
电源电压 Mains voltage	200-220VAC±10%; 50/60Hz,3.5VA
消耗电流 Consumption current	100mA以下 Under 100mA
响应时间 Response time	20mS以下 Under 20mS
输出Output	触点: COSΦ1,AC250V5A, NO/NC
光源 Optic source	红外线LED infrared ray LED
延时功能 Delayed function	0.01-5S延时接通, 接通延时Delay in connection
指示灯Indicator light	电源指示灯(G), 动作指示灯(R)Power Indicator, Action Indicator
壳体材料 Shell material	ABS
环境温度 Ambient temperature	工作时: -10—50°C, 存储时: -40—70°C -10—50°C At work -40-70°C In stock
环境湿度 Environment humidity	工作时: 35-85%RH, 存储时35-95%RH 35-85%RH At work 35-95%RH In stock
振动 Vibration	振动频率: 10-50Hz, 振动幅度: 1.5mm, X,Y,Z 方向各2小时 Vibration frequency:10-50Hz,Vibration range:1.5mm each direction of X,Y,Z for 3 hours
冲击 Shock	加速度500/s ² (约50g)X,Y,Z方向各3次 Acceleration:500/S(about 50g) each direction of X,Y,Z for 3hours

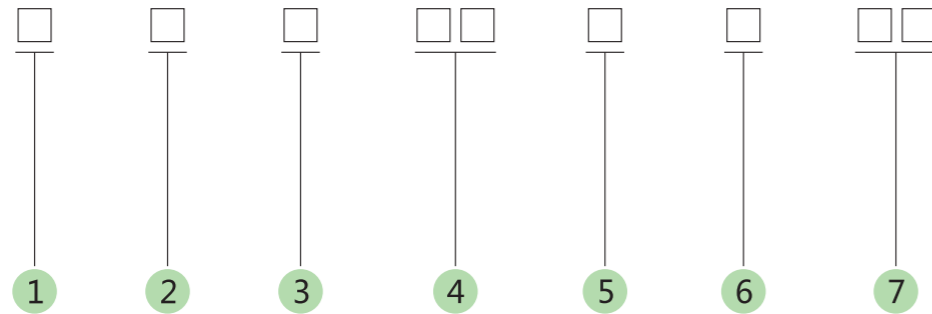
电缆连接器 Cable connector

外形Overall	型号Type	长度Lenght	用途Application
	LGGML-4-4	5m	四芯投光器使用 For four-core projector
	LGGML-4-3	5m	三芯投光器使用 For three-core projector

型号Type	A	B	C	D
LGGM40-4	120	180	30	40
LGGM40-6	200	260	30	40
LGGM40-8	280	340	30	40
LGGM40-10	360	420	30	40
LGGM40-12	440	500	30	40
LGGM40-16	600	660	30	40
LGGM40-20	760	820	30	40
LGGM40-24	920	980	30	40
LGGM40-32	1240	1300	30	40
LGGM40-40	1560	1620	30	40
LGGM40-56	2200	2260	30	40
LGGM40-60	2520	2580	30	40

型号Type	A	B	C	D
LGGM20-4	60	120	30	20
LGGM20-6	100	160	30	20
LGGM20-8	140	200	30	20
LGGM20-10	180	240	30	20
LGGM20-12	220	280	30	20
LGGM20-16	300	360	30	20
LGGM20-20	380	440	30	20
LGGM20-24	460	520	30	20
LGGM20-32	620	680	30	20
LGGM20-40	780	840	30	20
LGGM20-56	1100	1160	30	20
LGGM20-60	1260	1320	30	20

● 型号描述规则 Model Name Explanation



1. 公司代号
Company Code

LG

3. 检测距离
Detection Distance

500 : 500mm
1000 : 1000mm

5. 输出方式
Output Mode

D1: NPN
D2: PNP
D3: 2xNPN
D4: 2xPNP
D5: 4-20mA
D6: 0-10V
D7: 4-20mA/0-10V
D8: 3xNPN
D9: 3xPNP

6. 连接形式
Connection

无 : 2米线 cable 2m
V1 : M12 四针插件
M12 4-pin Connector
V15 : M12 五针插件
M12 5-pin Connector

2. 功能代号
Function Code

CB : 漫反射
DB : 对射
ZB : 双张检测
CB: Diffuse type
DB: Through-beam
ZB: Double-sheet Detection

4. 尺寸代号
Size Code


12GM : M12
18GM : M18
30GM : M30
F42 : 方壳 Square

8. 输出状态
Output State


A : 常开NO
B : 常闭NC




名称Name	12GM单开关点输出 One Switch Output
电气参数 Electrical parameters	
型号Type	LGCB400-12GM-D1/D2-V1
检测范围Sensing range	30...400mm
调节范围Adjustment range	50...400mm
盲区Dead band	0...30mm
标准目标板Dead band	100x100mm
换能器频率Standard target plate	约approx 310KHz
响应延时Transducer frequency	约approx 9ms
LED绿色LED green	
LED黄色LED yellow	常亮 : 物体在检测范围内 indication of the switching state 闪烁 : 设定状态下未检测到目标物 flashing: program function object detected
LED红色LED red	常亮 : 出错 solid red: Error 闪烁 , 设定状态下未检测出目标物 red, flashing: program function, object not detected
工作电压Operating voltage	10...30VDC,纹波 ripple 10%PP
空载电流No-load supply current	≤30mA
输出类型Output type	NPN 常开/常闭可选 NPN NO/NC , programmable PNP 常开/常闭可选 PNP NO/NC, programmable
重复精度Repeat accuracy	≤1%
额定工作电流Rated operating current	100mA , 短路保护/过载保护 short-circuit/overload protected
特性曲线偏差 Deviation of Characteristic Curve	
电压降Voltage drop	≤3V
负载阻抗Load impedance	
迟滞范围Range hysteresis	所设开关距离的1% of the set operating distance
开关频率Switching frequency	≤5Hz
温度漂移Temperature influence	满量程值±1.5% ± 1.5 % of full-scale value
输入类型Input type	一个TEACH-IN输入 1 program input 工作距离1:-UB...+1V operating distance 1: -UB ... +1 V 工作距离2:6V...+UB operating distance 2: +6 V ... +UB 输入阻抗 > 4.7KΩ,TECACH-IN脉冲:≥1S input impedance: > 4,7 kΩ program pulse: ≥ 1 s
同步设置 Synchronize Settings	
一般操作模式General operation mode	
多重操作模式Multiple operation mode	
标准Standard	IEC/EN60947-5-2
环境温度Ambient temperature	-25~+70°C(248...343K)
储存温度Storage temperature	-40~+85°C(233...358K)
防护等级Degree of protection	IP65
连接方式Connection type	V1连接器M12X1, 4针 Connector M12 x 1, 4-pin
外壳材料Housing material	不锈钢 brass, nickel-plated
换能器材料Transducer material	环氧树脂/空心玻璃球混合物 epoxy resin/hollow glass sphere mixture 聚氨酯甲酸酯泡沫体,外壳PBT foam polyurethane, The shell PBT
重量Mass	25g

名称Name	18GM模拟量输出 Analog Output
	
电气参数 Electrical parameters	
型号Type	LGCB1000-18GM-D1/D2-V15
检测范围Sensing range	70...1000mm
调节范围Adjustment range	90...1000mm
盲区Dead band	0...70mm
标准目标板Dead band	100x100mm
换能器频率Standard target plate	约approx 205KHz
响应延时Transducer frequency	约approx 125ms
LED绿色LED green	
LED黄色LED yellow	常亮：物体在检测范围内 Indication of the power on 闪烁：设定状态下未检测到目标物 Flashing: program function object not detected
LED红色LED red	常亮：出错 solid red: Error 闪烁，设定状态下未检测到目标物 red flashing: program function, object not detected
工作电压Operating voltage	10...30VDC,纹波 ripple 10%PP
空载电流No-load supply current	≤50mA
输出类型Output type	D5: 1个模拟量输出4...20mA 1 Analog output 4-20mA D6: 1个模拟量输出0...10V 1 Analog output 0-10V D1: 1个开关量输出NPN; D2: 1个开关量输出PNP; D1:1 Switch output NPN;D2:1 Switch output PNP
重复精度Repeat accuracy	满量程值的±0.1% ±0.1% of full-scale value
额定工作电流Rated operating current	
特性曲线偏差 Deviation of Characteristic Curve	满量程值±1% ±1% of full-scale value
电压降Voltage drop	
负载阻抗Load impedance	I:0...300Ohm; U : > 1KOhm
迟滞范围Range hysteresis	
开关频率Switching frequency	
温度漂移Temperature influence	满量程值±1.5% ±1.5% of full-scale value
输入类型Input type	一个TEACH-IN输入 1 program input 工作距离1:-UB...+1V operating distance 1: -UB ... +1 V, 工作距离2:6V...+UB operating distance 2: +6 V ... +UB 输入阻抗 > 4.7KΩ,TECACH-IN脉冲:≥1S input impedance: > 4,7 kΩ program, pulse: ≥ 1 s
同步设置 Synchronize Settings	1种同步连接 1 synchronous connection, bi-directional 双向 O-level:+UB...+1V 0-level: -UB...+1 V 1-level:+4V...+UB 输入阻抗 > 12KΩ input impedance: > 12 kΩ 同频脉冲 > 100μs,同步脉冲周期 > 2ms synchronization pulse: ≥ 100 μs,synchronization interpulse period: ≥ 2 ms
一般操作模式General operation mode	≤40Hz
多重操作模式Multiple operation mode	≤45/n Hz,n=传感器数量 ≤45/n, n=number of sensors
标准Standard	IEC/EN60947-5-2
环境温度Ambient temperature	-25~+70°C(248...343K)
储存温度Storage temperature	-40~+85°C(233...358K)
防护等级Degree of protection	IP65
连接方式Connection type	V15连接器M12X1, 5针 Connector M12 x 1, 5-pin
外壳材料Housing material	不锈钢 brass, nickel-plated
换能器材料Transducer material	环氧树脂/空心玻璃球混合物 epoxy resin/hollow glass sphere mixture 聚氨酯甲酸酯泡沫体,外壳PBT foam polyurethane, The shell PBT
重量Mass	60g

名称Name	30GM单开关点输出 One Switch Output
	
电气参数 Electrical parameters	
型号Type	LGCB2000-30GM-D1/D2-V15
检测范围Sensing range	80...2000mm
调节范围Adjustment range	120...2000mm
盲区Dead band	0...80mm
标准目标板Dead band	100x100mm
换能器频率Standard target plate	约approx 180KHz
响应延时Transducer frequency	约approx 150ms
LED绿色LED green	常亮通电 Indication of the power on 闪烁：设定状态下检测到目标物 Flashing: program function object not detected
LED黄色LED yellow	常亮：开关状态输出 indication of the switching state 闪烁：设定 flashing: program function object detected
LED红色LED red	常亮：出错 solid red: Error 闪烁，设定状态下未检测到目标物 red flashing: program function, object not detected
工作电压Operating voltage	10...30VDC,纹波 ripple 10%PP
空载电流No-load supply current	≤50mA
输出类型Output type	D1:1个开关量输出 NPN NO/NC 1 Switch output NPN NO/NC D2:1个开关量输出 PNP NO/NC 1 Switch output PNP NO/NC
重复精度Repeat accuracy	≤0.5V%
额定工作电流Rated operating current	200mA, 短路保护/过载保护 200 mA, short-circuit/overload protected
特性曲线偏差 Deviation of Characteristic Curve	
电压降Voltage drop	≤2.5V
负载阻抗Load impedance	
迟滞范围Range hysteresis	所设开关距离的1% 1% of the set operating distance
开关频率Switching frequency	≤3.3Hz
温度漂移Temperature influence	满量程值2% ± 2% of full-scale value
输入类型Input type	一个设定输入 1 program input 工作距离1:-UB...+1V operating distance 1: -UB ... +1 V 工作距离2:6V...+UB operating distance 2: +6 V ... +UB 输入阻抗 > 4.7KΩ,TECACH-IN脉冲:≥1S input impedance: > 4,7 kΩ program pulse: ≥ 1 s
同步设置 Synchronize Settings	双向 O-level:+UB...+1V bi-directional 0 level -UB...+1 V 1-level:+4V...+UB 输入阻抗 > 12KΩ input impedance: > 12 KOhm 同频脉冲 > 100μs synchronization pulse: ≥ 100 μs, 同步脉冲周期 > 2ms synchronization interpulse period: ≥ 2 ms
一般操作模式General operation mode	≤30Hz
多重操作模式Multiple operation mode	≤30/n Hz,n=传感器数量 n=number of sensors
标准Standard	IEC/EN60947-5-2
环境温度Ambient temperature	-25~+70°C(248...343K)
储存温度Storage temperature	-40~+85°C(233...358K)
防护等级Degree of protection	IP65
连接方式Connection type	V15连接器M12X1, 5针 Connector M12 x 1, 5-pin
外壳材料Housing material	不锈钢 Stainless steel
换能器材料Transducer material	环氧树脂/空心玻璃球混合物 epoxy resin/hollow glass sphere mixture 聚氨酯甲酸酯泡沫体,外壳PBT foam polyurethane, The shell PBT
重量Mass	140g

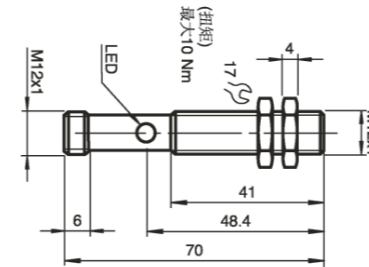
名称Name	30GM单开关点输出 One Switch Output
电气参数 Electrical parameters	
型号Type	LGCB4000-30GM-D1/D2-V15
检测范围Sensing range	200...4000mm
调节范围Adjustment range	240...3000mm
盲区Dead band	0...200mm
标准目标板Dead band	100x100mm
换能器频率Standard target plate	约approx 85KHz
响应延时Transducer frequency	约approx 150ms
LED绿色LED green	常亮通电 Indication of the power on 闪烁：设定状态下检测到目标物 Flashing: program function object not detected
LED黄色LED yellow	常亮：开关状态输出 indication of the switching state 闪烁：设定 flashing: program function object detected
LED红色LED red	常亮：出错 solid red: Error 闪烁，设定状态下未检测出目标物 red flashing: program function, object not detected
工作电压Operating voltage	10...30VDC,纹波 ripple 10%PP
空载电流No-load supply current	≤50mA
输出类型Output type	D1:1个开关量输出 NPN NO/NC 1 Switch output NPN NO/NC D2:1个开关量输出 PNP NO/NC 1 Switch output PNP NO/NC
重复精度Repeat accuracy	≤0.5V%
额定工作电流Rated operating current	200mA, 短路保护/过载保护 200 mA, short-circuit/overload protected
特性曲线偏差 Deviation of Characteristic Curve	
电压降Voltage drop	≤2.5V
负载阻抗Load impedance	
迟滞范围Range hysteresis	所设开关距离的1% 1 % of the set operating distance
开关频率Switching frequency	≤3.3Hz
温度漂移Temperature influence	满量程值2% ± 2 % of full-scale value
输入类型Input type	一个设定输入 1 program input 工作距离1:-UB...+1V operating distance 1: -UB ... +1 V 工作距离2:6V...+UB operating distance 2: +6 V ... +UB 输入阻抗 > 4.7KΩ,TECACH-IN脉冲:≥1S input impedance: > 4,7 kΩ program pulse: ≥ 1 s
同步设置 Synchronize Settings	双向 O-level:+UB...+1V bi-directional 0 level -UB...+1 V 1-level:+4V...+UB 输入阻抗 > 12KΩ input impedance: > 12 KOhm 同频脉冲 > 100μs synchronization pulse: ≥ 100 μs, 同步脉冲周期 > 2ms synchronization interpulse period: ≥ 2 ms
一般操作模式General operation mode	≤30Hz
多重操作模式Multiple operation mode	≤30/n Hz,n=传感器数量 n=number of sensors
标准Standard	IEC/EN60947-5-2
环境温度Ambient temperature	-25~+70°C(248...343K)
储存温度Storage temperature	-40~+85°C(233...358K)
防护等级Degree of protection	IP65
连接方式Connection type	V15连接器M12X1, 5针 Connector M12 x 1, 5-pin
外壳材料Housing material	不锈钢 Stainless steel
换能器材料Transducer material	环氧树脂/空心玻璃球混合物 epoxy resin/hollow glass sphere mixture 聚氨酯甲酸酯泡沫体,外壳PBT foam polyurethane, The shell PBT
重量Mass	180g

名称Name	30GM单开关点输出 One Switch Output
电气参数 Electrical parameters	
型号Type	LGCB6000-30GM-D1/D2-V15
检测范围Sensing range	350...4000mm
调节范围Adjustment range	400...3000mm
盲区Dead band	0...3500mm
标准目标板Dead band	100x100mm
换能器频率Standard target plate	约approx 65KHz
响应延时Transducer frequency	约approx 180ms
LED绿色LED green	常亮通电 Indication of the power on 闪烁：设定状态下检测到目标物 Flashing: program function object not detected
LED黄色LED yellow	常亮：开关状态输出 indication of the switching state 闪烁：设定 flashing: program function object detected
LED红色LED red	常亮：出错 solid red: Error 闪烁，设定状态下未检测出目标物 red flashing: program function, object not detected
工作电压Operating voltage	10...30VDC,纹波 ripple 10%PP
空载电流No-load supply current	≤50mA
输出类型Output type	D1:1个开关量输出 NPN NO/NC 1 Switch output NPN NO/NC D2:1个开关量输出 PNP NO/NC 1 Switch output PNP NO/NC
重复精度Repeat accuracy	≤0.5V%
额定工作电流Rated operating current	200mA, 短路保护/过载保护 200 mA, short-circuit/overload protected
特性曲线偏差 Deviation of Characteristic Curve	
电压降Voltage drop	≤2.5V
负载阻抗Load impedance	
迟滞范围Range hysteresis	所设开关距离的1% 1 % of the set operating distance
开关频率Switching frequency	≤3.3Hz
温度漂移Temperature influence	满量程值2% ± 2 % of full-scale value
输入类型Input type	一个设定输入 1 program input 工作距离1:-UB...+1V operating distance 1: -UB ... +1 V 工作距离2:6V...+UB operating distance 2: +6 V ... +UB 输入阻抗 > 4.7KΩ,TECACH-IN脉冲:≥1S input impedance: > 4,7 kΩ program pulse: ≥ 1 s
同步设置 Synchronize Settings	双向 O-level:+UB...+1V bi-directional 0 level -UB...+1 V 1-level:+4V...+UB 输入阻抗 > 12KΩ input impedance: > 12 KOhm 同频脉冲 > 100μs synchronization pulse: ≥ 100 μs, 同步脉冲周期 > 2ms synchronization interpulse period: ≥ 2 ms
一般操作模式General operation mode	≤30Hz
多重操作模式Multiple operation mode	≤30/n Hz,n=传感器数量 n=number of sensors
标准Standard	IEC/EN60947-5-2
环境温度Ambient temperature	-25~+70°C(248...343K)
储存温度Storage temperature	-40~+85°C(233...358K)
防护等级Degree of protection	IP65
连接方式Connection type	V15连接器M12X1, 5针 Connector M12 x 1, 5-pin
外壳材料Housing material	不锈钢 Stainless steel
换能器材料Transducer material	环氧树脂/空心玻璃球混合物 epoxy resin/hollow glass sphere mixture 聚氨酯甲酸酯泡沫体,外壳PBT foam polyurethane, The shell PBT
重量Mass	250g

名称Name	F42
电气参数 Electrical parameters	
型号Type	LGCB4000-F42-D5/D6-V15
检测范围Sensing range	200...4000mm
调节范围Adjustment range	240...4000mm
盲区Dead band	0...200mm
标准目标板Dead band	100x100mm
换能器频率Standard target plate	约approx 85KHz
响应延时Transducer frequency	约approx 325ms
LED绿色LED green	常亮通电 Indication of the power on 闪烁：设定状态下检测到目标物 Flashing: program function object not detected
LED黄色LED yellow	常亮：开关状态输出 indication of the switching state 闪烁：设定 flashing: program function object detected
LED红色LED red	常亮：出错 solid red: Error 闪烁，设定状态下未检测出目标物 red flashing: program function, object not detected
工作电压Operating voltage	10...30VDC,纹波 ripple 10%PP
空载电流No-load supply current	≤60mA
输出类型Output type	D5:1个模拟量输出 4...20mA 1 Analog output 4-20mA D6:1个模拟量输出 0...10V 1 Analog output 0-10V
重复精度Repeat accuracy	±1%满量程值 ±1% of full-scale value
额定工作电流Rated operating current	
特性曲线偏差 Deviation of Characteristic Curve	±0.1%满量程值 ±0.1% of full-scale value
电压降Voltage drop	
负载阻抗Load impedance	0...3000ohm , >1kOhm
迟滞范围Range hysteresis	
开关频率Switching frequency	
温度漂移Temperature influence	±1%满量程值 ± 1 % of full-scale value
输入类型Input type	
同步设置 Synchronize Settings	双向 O-level: +UB...+1V bi-directional 0 level -UB...+1 V 1-level: +4V...+UB 输入阻抗 > 12KΩ input impedance: > 12 KOhm 同频脉冲 > 100μs synchronization pulse: ≥ 100 μs, 同步脉冲周期 > 2ms synchronization interpulse period: ≥ 2 ms
一般操作模式General operation mode	≤13Hz
多重操作模式Multiple operation mode	≤13/n Hz, n=传感器数量 n=number of sensors
标准Standard	IEC/EN60947-5-2
环境温度Ambient temperature	-25~+70℃(248...343K)
储存温度Storage temperature	-40~+85℃(233...358K)
防护等级Degree of protection	IP54
连接方式Connection type	V15连接器M12X1, 5针 Connector M12 x 1, 5-pin
外壳材料Housing material	ABS
换能器材料Transducer material	环氧树脂/空心玻璃球混合物 epoxy resin/hollow glass sphere mixture 聚氨酯泡沫体,外壳PBT foam polyurethane, The shell PBT
重量Mass	140g

外形尺寸及接线图 Dimensions and wiring diagram

12GM



标准符号/连接(version E4,PNP)



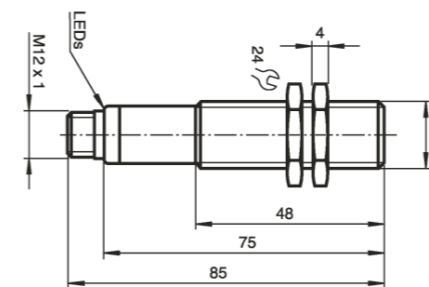
线芯颜色符合EN60947-5-2

标准符号/连接(version E5,PNP)



线芯颜色符合EN60947-5-2

18GM



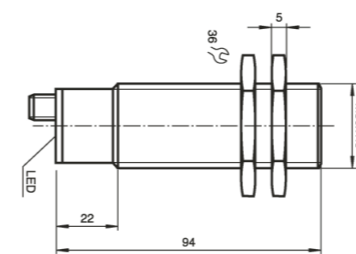
标准符号/连接(version)



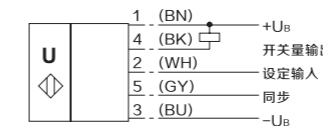
线芯颜色符合EN60947-5-2

30GM

30GM-2000

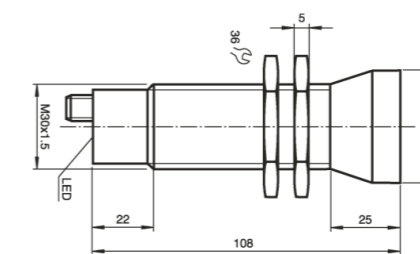


标准符号/连接(version E4,PNP)

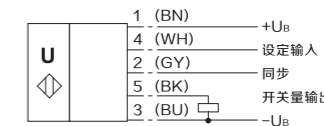


线芯颜色符合EN60947-5-2

30GM-4000

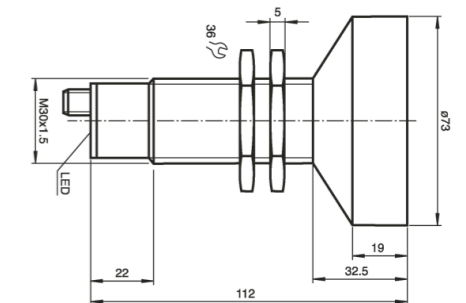


标准符号/连接(version E5,PNP)



线芯颜色符合EN60947-5-2

30GM-6000



F42

