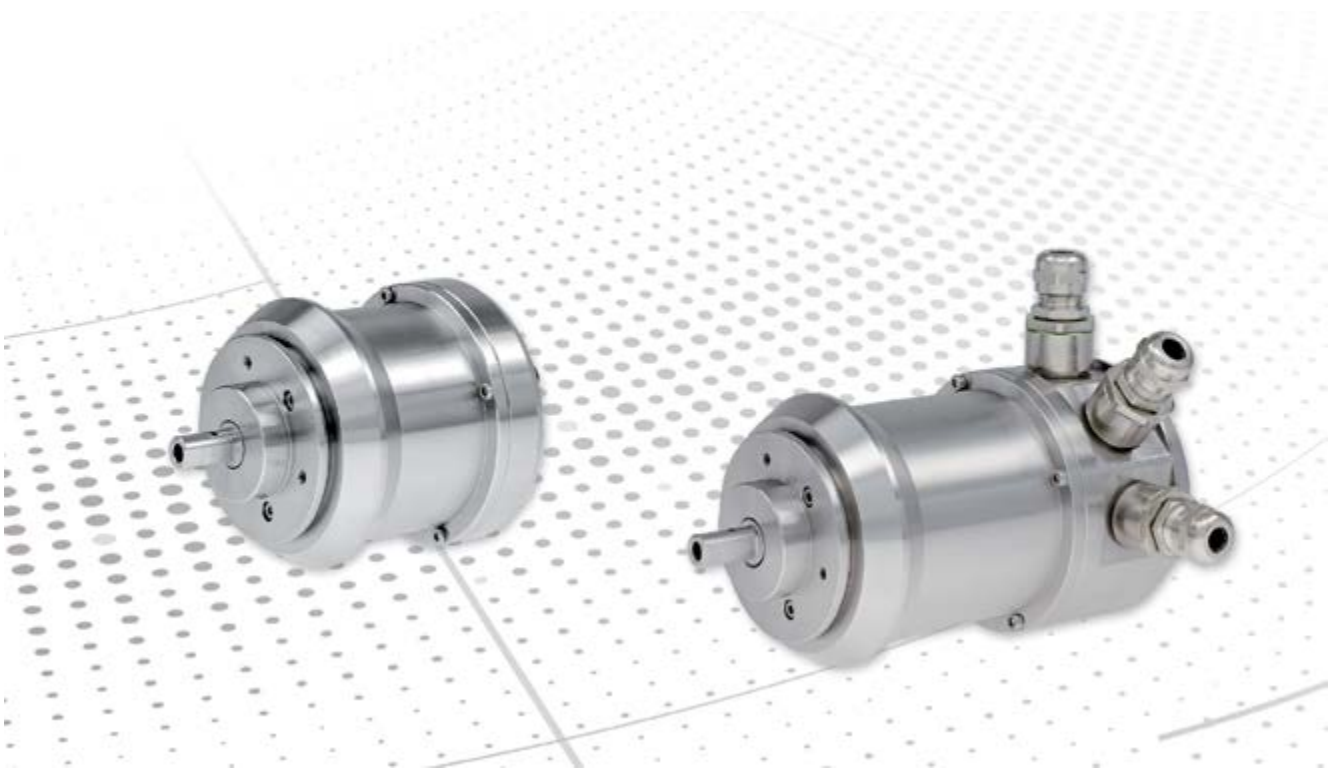


Rotary Encoders - Stainless Steel Housing - C__84








Protective housing for aggressive surroundings

In paper processing it is groundwood pulp, in process technology it is acids and lyes, in food processing technology it is hot cleaning solutions under high pressure. Rotary encoders constantly come into contact with corrosive media. Compact rotary encoders are suitably equipped for an aggressive environment: Encased in the proven protective housing, the CEV84Ms can withstand everything that an ordinary stainless steel can tolerate. At the same time they can be cleaned with water under high pressure and are therefore also suitable for

use in food processing machines and plants. For industrial Ethernet, installation and activation is considerably simplified. The encoder is integrated into the network by watertight connectors located at the rear side of the encoder. CEV84M brings the world of cutting-edge industrial networks to paper machines, process plants and to the pharmaceutical and food industries.

Stainless steel housings of series 84 provides perfect protection in aggressive surroundings even for the most recent Generation 582 with all its interface features.

Stainless steel

Product	CEV84	CEV84 Field Bus	CEV84 Industrial Ethernet
			
Material	1.4305 (X12 Cr NiS 18 08 / 18 9)	1.4305 (X12 Cr NiS 18 08 / 18 9)	1.4305 (X12 Cr NiS 18 08 / 18 9)
Detection, Resolution choose from	C__58, L__58	C__58, L__58	C__58, L__58
Supply	11...27 VDC	11...27 VDC	11...27 VDC
Maximum rpm	3000 1/min	3000 1/min	3000 1/min
Mass (typical)	1,5..2,5 kg	1,5..2,5 kg	1,5..2,5 kg
Shaft diameters available	6, 10, 12 mm	6, 10, 12 mm	6, 10, 12 mm
Connectors	M23 axial / radial	Fieldbus hood / cable glands radial	3 x M12 axial
Ambient temperature	-20...+70 °C (option -40...+85 °C)	-20...+70 °C (option -40...+85 °C)	-20...+70 °C (option -40...+85 °C)
Protection class	IP68	IP68	IP68
ATEX			
Interface	SSI Parallel Analog	  	   
Option, additional interfaces (on request)	Analog INC Parallel	SSI Parallel Analog INC	
Weblink	www.tr-electronic.com/s/S007190	www.tr-electronic.com/s/S007190	www.tr-electronic.com/s/S007190
QR-Code			

Can't find the right variant? Please contact us (info@tr-electronic.de)