



Online Data Sheet

Encoder WdGI 58H

www.wachendorff-automation.com/wdgi58h

Wachendorff Automation

... systems and encoders

- Complete systems
- Industrial rugged encoders to suit your application
- Standard range and customer versions
- Maximum permissible loads
- 48-hour express production
- Made in Germany
- Worldwide distributor network

Encoder WDGI 58H



- Rugged industrial standard encoder
- Housing cap die cast aluminum, with particularly eco-friendly powder coating
- Up to 25000 PPR by use of high grad electronics
- Thru-Bore
- High protection class IP65, with oil seal
- Maximum mechanical and electrical safety
- High noise immunity
- Full connection protection with 10 VDC up to 30 VDC
- High output frequency 600 kHz/2 MHz
- Optional: -40 °C up to +85 °C, Pressure equalising membrane

www.wachendorff-automation.com/wdgi58h

Resolution	
Max. pulses per revolution PPR	up to 25000 PPR

Mechanical Data	
Housing	
Flange	hollow shaft (through-bored)
Flange material	aluminum
Housing cap	die cast aluminum, powder coated
Torque supports	incl. 1 torque support WDGDS10001
- 1. Spring plate compensation	axial: ±0.8 mm, radial: ±0.2 mm
- Max. operating speed	6000 rpm up to max. protection rating +60 °C
- 2. Cylinder pin 4 mm	needs accessories WDGDS10005
- Compensation	axial: ±0.5 mm, radial: ±1.5 mm, Max. operating speed: 3000 rpm
Housing	Ø 58 mm

Shaft(s)	
Shaft material	stainless steel
Starting torque	approx. 2.2 Ncm at ambient temperature
Fixing	permanently attached clamping ring

Shaft	Ø 6 mm
Advice	with adapter sleeve
Shaft length	L: 44.5 mm
Max. Permissible shaft loading radial	80 N
Max. Permissible shaft loading axial	60 N

Shaft	Ø 6.35 mm, Ø 1/4"
Advice	with adapter sleeve
Shaft length	L: 44.5 mm
Max. Permissible shaft loading radial	80 N
Max. Permissible shaft loading axial	60 N

Shaft	Ø 7 mm
Advice	with adapter sleeve
Shaft length	L: 44.5 mm
Max. Permissible shaft loading radial	80 N
Max. Permissible shaft loading axial	60 N

Shaft	Ø 8 mm
Shaft length	L: 44.5 mm
Max. Permissible shaft loading radial	80 N
Max. Permissible shaft loading axial	60 N

Shaft	Ø 9.525 mm, Ø 3/8"
Advice	with adapter sleeve
Shaft length	L: 44.5 mm
Max. Permissible shaft loading radial	80 N
Max. Permissible shaft loading axial	60 N

Shaft	Ø 10 mm
Shaft length	L: 44.5 mm
Max. Permissible shaft loading radial	80 N
Max. Permissible shaft loading axial	60 N

Shaft	Ø 12 mm
Shaft length	L: 44.5 mm
Max. Permissible shaft loading radial	80 N
Max. Permissible shaft loading axial	60 N

Shaft	Ø 12.7 mm, Ø 1/2"
Shaft length	L: 44.5 mm, L: 1.75 in
Max. Permissible shaft loading radial	80 N, 8.15 kp
Max. Permissible shaft loading axial	60 N, 6.12 kp

Shaft	Ø 14 mm
Shaft length	L: 44.5 mm
Max. Permissible shaft loading radial	80 N
Max. Permissible shaft loading axial	60 N

Shaft	Ø 15 mm
Shaft length	L: 44.5 mm
Max. Permissible shaft loading radial	80 N
Max. Permissible shaft loading axial	60 N

Bearings	
Bearings type	2 precision ball bearings
Nominale service life	1 x 10 ⁹ revs. at 100 % rated shaft load 1 x 10 ¹⁰ revs. at 40 % rated shaft load 1 x 10 ¹¹ revs. at 20 % rated shaft load
Max. operating speed	6000 rpm

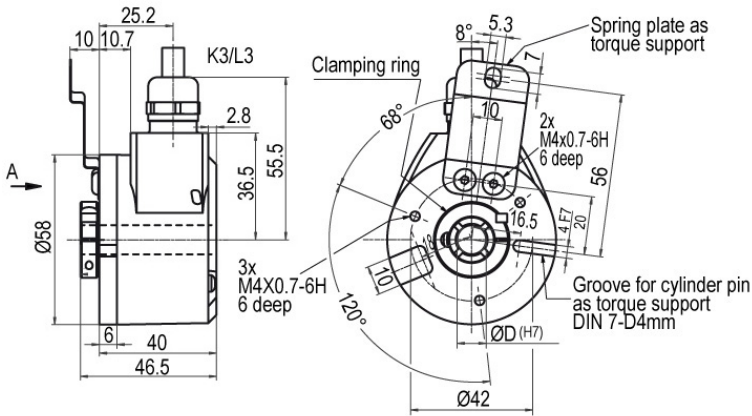
Machinery Directive: basic data safety integrity level	
MTTF _d	200 a
Mission time (TM)	25 a
Nominale service life (L10h)	1 x 10 ¹¹ revs. at 20 % rated shaft load and 6000 rpm
Diagnostic coverage (DC)	0 %

Electrical Data	
Power supply/Current consumption	4,75 VDC up to 5,5 VDC: typ. 100 mA
Power supply/Current consumption	5 VDC up to 30 VDC: typ. 70 mA
Power supply/Current consumption	10 VDC up to 30 VDC: typ. 100 mA
Output circuit	TTL TTL, RS422 compatible, inv. HTL HTL, inv. 1 V _{pp} sin/cos
Pulse frequency	TTL 5000 ppr: max. 200 kHz HTL 5000 ppr: max. 200 kHz TTL more than 1200 ppr: max. 2 MHz HTL more than 1200 ppr: max. 600 kHz 1 V _{pp} sin/cos: max. 100 kHz
Channels	AB ABN and inverted signals
Load	max. 40 mA / channel @ 1 V _{pp} sin/cos: min. 120 Ohm
Circuit protection	circuit type F24, G24, H24, I24, P24, R24 only

Accuracy	
Phase offset	90° ± max. 7.5 % of the period duration
pulse-/pause-ratio	5000 ppr: 50 % ± max. 7 % Output circuits F24, P24, F05, P05, 645: 50 % ± max. 10 %

General Data	
Weight	approx. 220 g
Connections	cable or connector, radial
Protection rating (EN 60529)	IP65 all around
Operating temperature	Connector: -40 °C up to +85 °C, cable: -20 °C up to +80 °C, (Option ACA: -40 °C up to +85 °C) 1 V _{pp} : -10 °C up to +70 °C
Storage temperature	Connector: -30 °C up to +85 °C, cable: -30 °C up to +80 °C, option ACA: -40 °C up to +85 °C

More Information	
General technical data and safety instructions http://www.wachendorff-automation.com/gtd	
Options http://www.wachendorff-automation.com/acc	

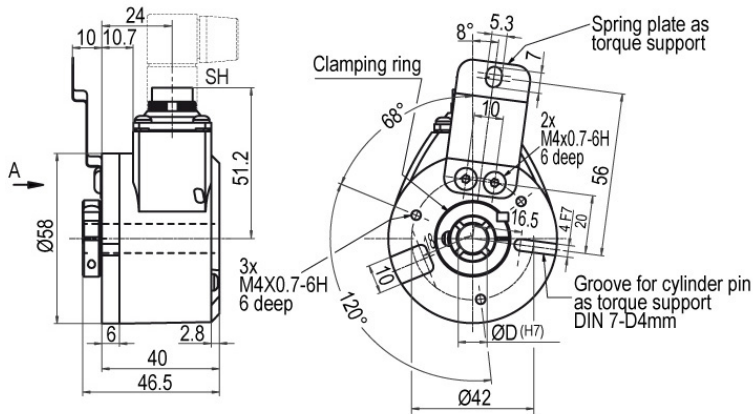
WDGI 58H: Cable connection K3, L3, radial, with 2 m cable

Description
ABN inv. poss.
K3 radial, shield not connected

•

L3 radial, shield connected to encoder housing

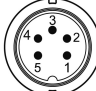


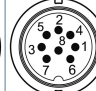
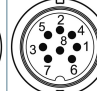
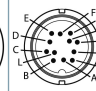
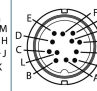
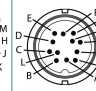
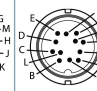
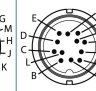
•

Assignments					
	K3, L3	K3, L3	K3, L3	K3, L3	L3
Circuit	G05, G24	F05, H05, F24, H24, H30	I05, I24, 524	P05, R05, P24, R24, 245, 645, R30	SIN
GND	WH	WH	WH	WH	WH
(+) Vcc	BN	BN	BN	BN	BN
A	GN	GN	GN	GN	GN
B	YE	YE	YE	YE	GY
N	GY	GY	GY	GY	-
Light reserve warning	PK	-	PK	-	-
A inv.	-	-	RD	RD	YE
B inv.	-	-	BK, (BU at ACA)	BK, (BU at ACA)	PK
N inv.	-	-	VT	VT	-
Shield	flex	flex	flex	flex	flex

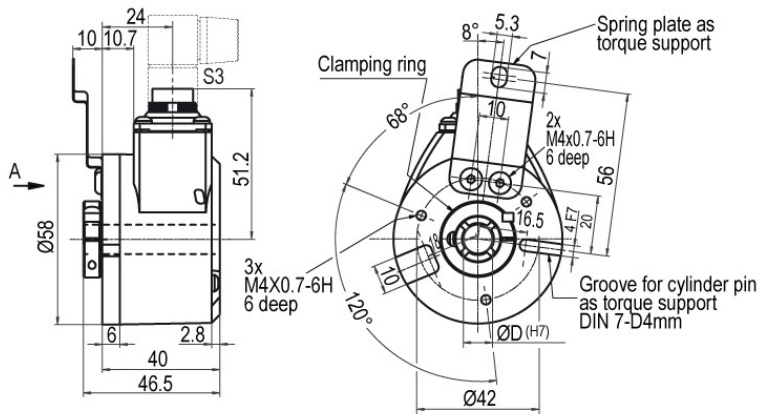
WDGI 58H: Connector (M16x0.75) SH, radial, 5-, 6-, 8-, 12-pin

Description
ABN inv. poss.

SH5	radial, 5-pin, Connector connected to encoder housing	-
SH6	radial, 6-pin, Connector connected to encoder housing	-
SH8	radial, 8-pin, Connector connected to encoder housing	•
SH12	radial, 12-pin, Connector connected to encoder housing	•

Assignments

	SH5	SH6	SH6	SH8	SH8	SH12	SH12	SH12	SH12	SH12
	5-pin	6-pin	6-pin	8-pin	8-pin	12-pin	12-pin	12-pin	12-pin	12-pin
										
Circuit	F05, H05, F24, H24, H30	G05, G24	F05, H05, F24, H24, H30	F05, H05, F24, H24, H30	P05, R05, P24, R24, R30, 245, 645	G05, G24	F05, H05, F24, H24, H30	I05, I24, 524	P05, R05, P24, R24, 245, 645, R30	SIN
GND	1	6	6	1	1	K, L	K, L	K, L	K, L	K, L
(+) Vcc	2	1	1	2	2	M, B	M, B	M, B	M, B	M, B
A	3	2	2	3	3	E	E	E	E	E
B	4	4	4	4	4	H	H	H	H	H
N	5	3	3	5	5	C	C	C	C	-
Light reserve warning	-	5	-	-	-	G	-	G	-	-
A inv.	-	-	-	-	6	-	-	F	F	F
B inv.	-	-	-	-	7	-	-	A	A	A
N inv.	-	-	-	-	8	-	-	D	D	-
n. c.	-	-	5	6, 7, 8	-	A, D, F, J	A, D, F, G, J	J	G, J	D, G, J
Shield	-	-	-	-	-	-	-	-	-	-

WDGI 58H: Connector (M16x0.75) S3, radial, 7-pin





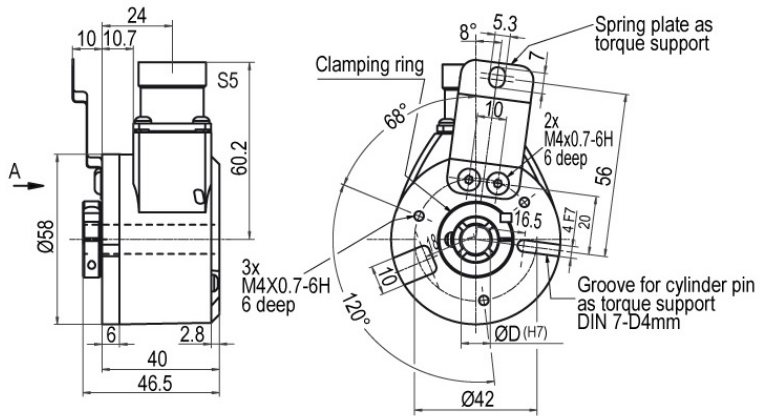
Description

ABN inv. poss.

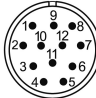
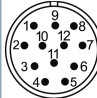
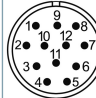
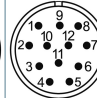
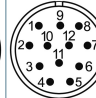
S3 radial, 7-pin, Connector connected to encoder housing

-

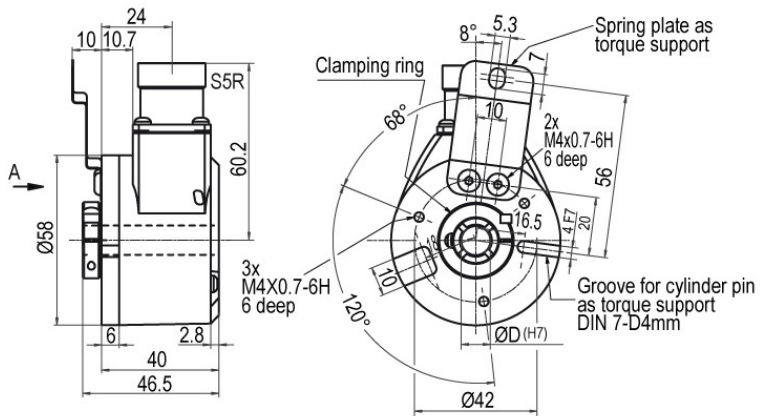
Assignments		
	S3	S3
	7-pin	7-pin
		
Circuit	G05, G24	F05, H05, F24, H24, H30
GND	1	1
(+) Vcc	2	2
A	3	3
B	4	4
N	5	5
Light reserve warning	6	-
A inv.	-	-
B inv.	-	-
N inv.	-	-
n. c.	7	6, 7
Shield	-	-

WDGI 58H: Connector (M23) S5, radial, 12-pin

Description
ABN inv. poss.
S5 radial, 12-pin, Connector connected to encoder housing

•

Assignments					
	S5	S5	S5	S5	S5
	12-pin	12-pin	12-pin	12-pin	12-pin
					
Circuit	G05, G24	F05, H05, F24, H24, H30	I05, I24, 524	P05, R05, P24, R24, 245, 645, R30	SIN
GND	10	10	10	10	10
(+) Vcc	12	12	12	12	12
A	5	5	5	5	5
B	8	8	8	8	8
N	3	3	3	3	-
Light reserve warning	11	-	11	-	-
A inv.	-	-	6	6	6
B inv.	-	-	1	1	1
N inv.	-	-	4	4	-
n. c.	1, 2, 4, 6, 7, 9	1, 2, 4, 6, 7, 9, 11	2, 7, 9	2, 7, 9, 11	2, 3, 4, 7, 9, 11
Shield	-	-	-	-	-

WDGI 58H: Connector (M23) S5R, radial, 12-pin (clockwise)

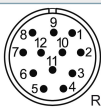
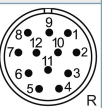
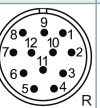
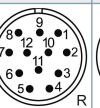



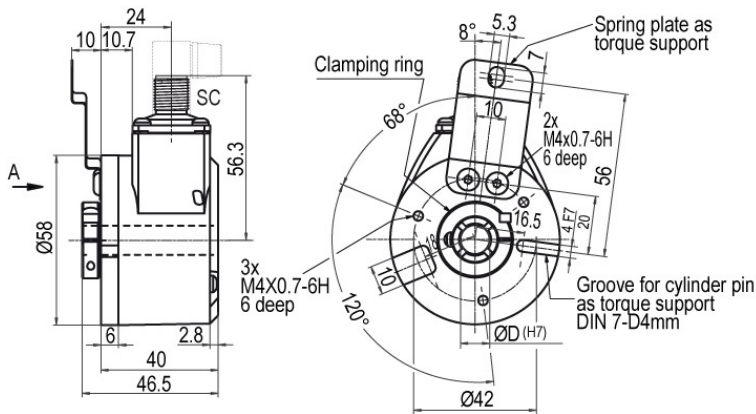
Description

ABN inv. poss.

S5R radial, 12-pin, Connector connected to encoder housing




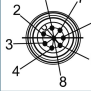
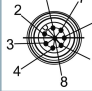
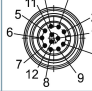
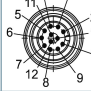
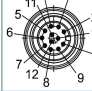
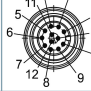
•

Assignments					
	S5R	S5R	S5R	S5R	S5R
	12-pin	12-pin	12-pin	12-pin	12-pin
					
Circuit	G05, G24	F05, H05, F24, H24, H30	I05, I24, 524	P05, R05, P24, R24, 245, 645, R30	SIN
GND	10	10	10	10	10
(+) Vcc	12	12	12	12	12
A	5	5	5	5	5
B	8	8	8	8	8
N	3	3	3	3	-
Light reserve warning	11	-	11	-	-
A inv.	-	-	6	6	6
B inv.	-	-	1	1	1
N inv.	-	-	4	4	-
n. c.	1, 2, 4, 6, 7, 9	1, 2, 4, 6, 7, 9, 11	2, 7, 9	2, 7, 9, 11	2, 3, 4, 7, 9, 11
Shield	-	-	-	-	-

WDGI 58H: Sensor-connector (M12x1) SC, radial, 4-, 5-, 8-, 12-pin

Description
ABN inv. poss.

SC4	radial, 4-pin, Connector connected to encoder housing	-
SC5	radial, 5-pin, Connector connected to encoder housing	-
SC8	radial, 8-pin, Connector connected to encoder housing	•
SC12	radial, 12-pin, Connector connected to encoder housing	•

Assignments

	SC4	SC5	SC8	SC8	SC8	SC12	SC12	SC12	SC12
	4-pin	5-pin	8-pin	8-pin	8-pin	12-pin	12-pin	12-pin	12-pin
									
Circuit	F05, H05, F24, H24, H30	F05, H05, F24, H24, H30	F05, H05, F24, H24, H30	P05, R05, P24, R24, R30, 245, 645	SIN	G05, G24	F05, H05, F24, H24, H30	I05, I24, 524	P05, R05, P24, R24, 245, 645, R30
GND	3	3	1	1	1	3	3	3	3
(+) Vcc	1	1	2	2	2	1	1	1	1
A	2	4	3	3	3	4	4	4	4
B	4	2	4	4	5	6	6	6	6
N	-	5	5	5	-	8	8	8	8
Light reserve warning	-	-	-	-	-	5	-	5	-
A inv.	-	-	-	6	4	-	-	9	9
B inv.	-	-	-	7	6	-	-	7	7
N inv.	-	-	-	8	-	-	-	10	10
n. c.	-	-	6, 7, 8	-	7, 8	2, 7, 9, 10, 11, 12	2, 5, 7, 9, 10, 11, 12	2, 11, 12	2, 5, 11, 12
Shield	-	-	-	-	-	-	-	-	-

Options

Low temperature

The encoder WDG1 58H with the output circuit types F24, G24, H24, I24, P24, R24, F05, G05, H05, I05, P05, R05, 245, 524, 645 is also available with the extended temperature range -40 °C up to +85 °C [-40 °F up to +185 °F] (measured at the flange).

Order key

ACA

Pressure equalising membrane

The WDG1 58H shaft encoder is also optionally available with a pressure equalising membrane. This prevents water from penetrating into the encoder housing in the case of high air humidity.

The IP67 protection level, temperature range and salt spray resistance are maintained. Resistant to chemicals and solvents in accordance with DIN EN ISO 2812-1.

Order key

ACR

Cable length

The encoder WDG1 58H can be supplied with more than 2 m cable. The maximum cable length depends on the supply voltage and the frequency; see www.wachendorff-automation.com/atd

Please extend the standard order code with a three figure number, specifying the cable length in decimetres.

Example: 5 m cable = 050

Order key

XXX = Decimeter

Example Order No.	Type				Your encoder
WDGI 58H	WDGI 58H				WDGI 58H
	Bore size				
10	06; 2Z= Ø 6.35 mm, Ø 1/4"; 07; 08; 4Z= Ø 9.525 mm, Ø 3/8"; 10; 12; 3Z= Ø 12.7 mm, Ø 1/2"; 14; 15				
	Pulses per revolution PPR:				
1024	4, 6, 25, 32, 36, 50, 60, 64, 70, 88, 100, 120, 125, 127, 150, 180, 200, 240, 250, 254, 256, 300, 314, 360, 400, 500, 512, 600, 625, 720, 750, 768, 800, 810, 900, 1000, 1024, 1200, 1250, 1270, 1440, 1500, 1800, 2000, 2048, 2500, 3000, 3600, 4000, 4096, 5000, 8192, 10000, 10240, 12500, 16384, 20000, 20480, 25000 1 Vpp Sin/Cos only 1024, 2048 Other PPRs on request				
	Channels:				
ABN	AB, ABN (SIN: AB)				
	Output circuit				
G24	Resolution PPR	Power supply VDC	Output circuit	Light reserve warning	Order key
	up to 2500	5 - 30	HTL	-	H30
		5 - 30	HTL inverted	-	R30
	up to 5000	4.75 - 5.5	TTL	•	G05
		4.75 - 5.5	TTL	-	H05
		4.75 - 5.5	TTL, RS422 comp., inverted	•	I05
		4.75 - 5.5	TTL, RS422 comp., inverted	-	R05
		10 - 30	HTL	•	G24
		10 - 30	HTL	-	H24
		10 - 30	HTL inverted	•	I24
		10 - 30	HTL inverted	-	R24
		10 - 30	TTL, RS422 comp., inverted	•	524
		10 - 30	TTL, RS422 comp., inverted	-	245
	(higher frequency) 1200 up to 25000	4.75 - 5.5	TTL	-	F05
		4.75 - 5.5	TTL, RS422 comp., inverted	-	P05
		10 - 30	HTL	-	F24
		10 - 30	HTL inverted	-	P24
	1024, 2048	4.75 - 5.5	1 Vpp sin/cos	-	SIN
		Electrical connections			
K3	Description			ABN inv. poss.	Order key
	Cable: length (2 m standard, WDG 58T: 1 m)				
	radial, shield not connected			•	K3
	radial, shield connected to encoder housing			•	L3
	Connector: (shield connected to encoder housing)				
	connector, M16x0.75, 5-pin, radial			-	SH5
	connector, M16x0.75, 6-pin, radial			-	SH6
	connector, M16x0.75, 8-pin, radial			•	SH8
	connector, M16x0.75, 12-pin, radial			•	SH12
	connector, M16x0.75, 7-pin, radial			-	S3
	connector, M23, 12-pin, radial			•	S5
	connector, clockwise pin count, M23, 12-pin, radial			•	S5R
	sensor-connector, M12x1, 4-pin, radial			-	SC4
	sensor-connector, M12x1, 5-pin, radial			-	SC5
	sensor-connector, M12x1, 8-pin, radial			•	SC8
	sensor-connector, M12x1, 12-pin, radial			•	SC12

Options		
Description	Order key	
Low temperature	ACA	
Pressure equalising membrane	ACR	
Without option	Empty	
Cable length	XXX = Decimeter	

Example Order No.=	WDGI 58H	10	1024	ABN	G24	K3		WDGI 58H							Your encoder
---------------------------	----------	----	------	-----	-----	----	--	----------	--	--	--	--	--	--	---------------------



For further information please contact our local distributor.
Here you find a list of our distributors worldwide.
<https://www.wachendorff-automation.com/>



Wachendorff Automation GmbH & Co. KG
Industriestrasse 7 • 65366 Geisenheim
Germany

Phone: +49 67 22 / 99 65 25
Fax: +49 67 22 / 99 65 70
E-Mail: wdg@wachendorff.de
www.wachendorff-automation.de

