



Online Data Sheet

Encoder WDGA 58E SAE J1939 galv. isolation

www.wachendorff-automation.com/wdga58esaej1939galv

Wachendorff Automation

... systems and encoders

- Complete systems
- Industrial rugged encoders to suit your application
- Standard range and customer versions
- Maximum permissible loads
- 48-hour express production
- Made in Germany
- Worldwide distributor network

Encoder WDGA 58E absolute CAN SAE J1939, galv. isolation, magnetic, with EnDra®- Technology



EnDra®
Technologie

SAE J1939

- EnDra® Technologie:
- CAN SAE J1939 protocol
- Galvanic isolation
- Single-turn/Multi-turn (16 bit / 32 bit))
- Forward-looking technology with 32 Bit processor
- 2-colour-LED as indicator for operating condition

www.wachendorff-automation.com/wdga58esaej1939galv

Mechanical Data	
Housing	
Flange	hollow shaft (blind-bored)
Flange material	aluminum
Housing cap	steel case chrome-plated, magnetic shielding
Torque supports	incl. 1 torque support WDGDS10019
- 1. Spring plate compensation	axial: ±1.2 mm, radial: ±0.2 mm
- Max. operating speed	6000 rpm up to max. protection rating +80 °C
Housing	Ø 58 mm
Shaft(s)	
Shaft material	stainless steel
Starting torque	approx. 1.6 Ncm at ambient temperature, approx. 2.226 in-ozf at ambient temperature
Fixing	permanently attached clamping ring
Shaft	Ø 6 mm
Advice	with adapter sleeve
Shaft length	L: 17 mm
Insertion depth min.	10 mm
Insertion depth max.	19 mm
Max. Permissible shaft loading radial	80 N
Max. Permissible shaft loading axial	50 N
Shaft	Ø 6.35 mm, Ø 1/4"
Advice	with adapter sleeve
Shaft length	L: 17 mm, L: 0.669 in
Insertion depth min.	10 mm, 0.394 in
Insertion depth max.	19 mm, 0.748 in
Max. Permissible shaft loading radial	80 N, 8.158 kp
Max. Permissible shaft loading axial	50 N, 5.099 kp
Shaft	Ø 7 mm
Advice	with adapter sleeve
Shaft length	L: 17 mm
Insertion depth min.	10 mm
Insertion depth max.	19 mm
Max. Permissible shaft loading radial	80 N
Max. Permissible shaft loading axial	50 N

Shaft	Ø 8 mm
Advice	with adapter sleeve
Shaft length	L: 17 mm
Insertion depth min.	10 mm
Insertion depth max.	19 mm
Max. Permissible shaft loading radial	80 N
Max. Permissible shaft loading axial	50 N
Shaft	Ø 9.525 mm, Ø 3/8"
Advice	with adapter sleeve
Shaft length	L: 17 mm, L: 0.669 in
Insertion depth min.	10 mm, 0.394 in
Insertion depth max.	19 mm, 0.748 in
Max. Permissible shaft loading radial	80 N, 8.158 kp
Max. Permissible shaft loading axial	50 N, 5.099 kp
Shaft	Ø 10 mm
Advice	with adapter sleeve
Shaft length	L: 17 mm
Insertion depth min.	10 mm
Insertion depth max.	19 mm
Max. Permissible shaft loading radial	80 N
Max. Permissible shaft loading axial	50 N
Shaft	Ø 12 mm
Shaft length	L: 17 mm
Insertion depth min.	10 mm
Insertion depth max.	19 mm
Max. Permissible shaft loading radial	80 N
Max. Permissible shaft loading axial	50 N
Shaft	Ø 14 mm
Shaft length	L: 17 mm
Insertion depth min.	10 mm
Insertion depth max.	19 mm
Max. Permissible shaft loading radial	80 N
Max. Permissible shaft loading axial	50 N

Shaft	Ø 15 mm
Shaft length	L: 17 mm
Insertion depth min.	10 mm
Insertion depth max.	19 mm
Max. Permissible shaft loading radial	80 N
Max. Permissible shaft loading axial	50 N

Bearings

Bearings type	2 precision ball bearings
Nominal service life	1 x 10 ⁹ revs. at 100 % rated shaft load 1 x 10 ¹⁰ revs. at 40 % rated shaft load 1 x 10 ¹¹ revs. at 20 % rated shaft load
Max. operating speed	6000 rpm

Electrical Data

Power supply/Current consumption	10 VDC up to 32 VDC: typ. 100 mA
Power consumption	max. 1 W

Sensor data

Single-turn technology	innovative hall sensor technology
Single-turn resolution	65.536 steps/360° (16 bit)
Single-turn accuracy	< ±0.35°
Single-turn repeat accuracy	< ±0.20°
Internal cycle time	600 µs
Multi-turn technology	patented EnDra® technology no battery, no gear.
Multi-turn resolution	up to 32 bit

Environmental data

Environmental data:

ESD (DIN EN 61000-4-2):	8 kV
Burst (DIN EN 61000-4-4):	2 kV
includes EMC:	DIN EN 61000-6-2 DIN EN 61000-6-3 DIN EN 61326-1
Vibration: (DIN EN 60068-2-6)	50 m/s ² (10 Hz up to 2000 Hz)
Shock: (DIN EN 60068-2-27)	5000 m/s ² (6 ms)
Design:	according DIN VDE 0160
Turn on time:	<1,5 s

Interface

Interface:	CAN
CAN physical layer:	ISO 11898 (High Speed CAN)
Protocol:	ISO 11898 (High Speed CAN)
Baud rate:	Auto-Baud-Detection
Standard Preset configuration:	(other configurations on request)
Direction of counting:	(View from shaft end) ccw
ECU-adress:	0x 0A
Process data Identifier:	0x18FF000A
PGN:	0xFF00

Process data mapping:	Byte 0-3 32 Bit Position Value Byte 4 8 Bit Error Register PDU timer and Position Preset can be adjusted by PGN configuration 0xEF00 (Prop. A)
-----------------------	--

PDU - Time:	50 ms (default)
Configuration - PGN:	0x EF 00 (Prop.A)
Byte 0:	0x 01
Byte 1:	0x FF
Byte 2:	PDU time LSB
Byte 3:	PDU time MSB
Byte 4:	Preset LSB
Byte 5, 6:	Preset
Byte 7:	Preset MSB

General Data

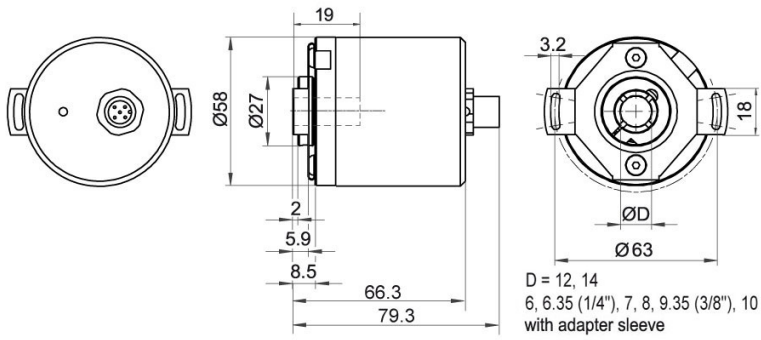
Weight	approx. 410 g, approx. 14.462 oz
Connections	connector outlet
Protection rating (EN 60529)	Housing: IP65, IP67; shaft sealed: IP65
Operating temperature	-40 °C up to +85 °C, -40 °F up to +176 °F
Storage temperature	-40 °C up to +100 °C, -40 °F up to +212 °F

More Information

General technical data and safety instructions
<http://www.wachendorff-automation.com/gtd>

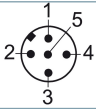
Options
<http://www.wachendorff-automation.com/acc>

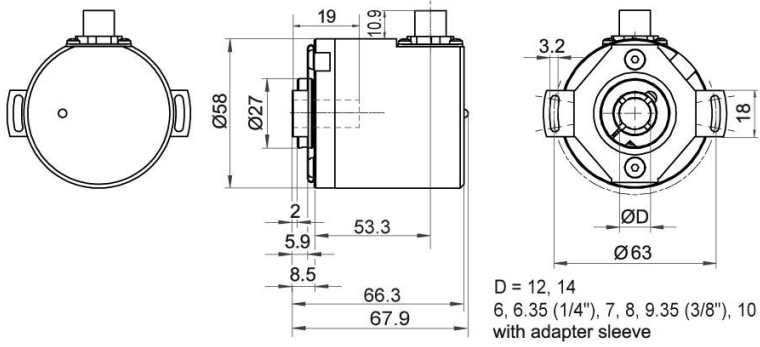
WDGA 58E CAN SAE J1939 galv. isolation, with M12x1, axial CB5, 5-polig



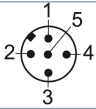
Description

CB5 axial, 5-pin, shield connected to encoder housing

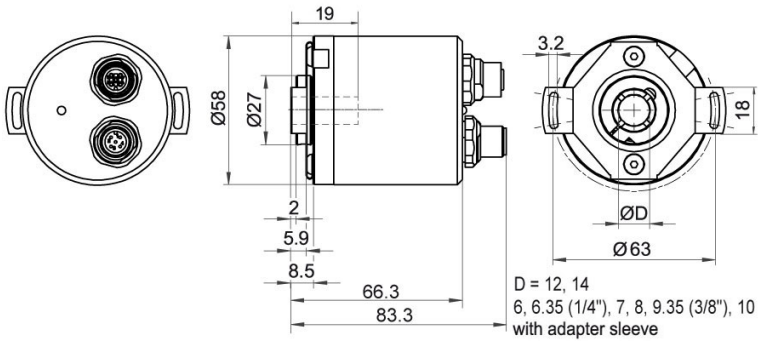
Assignments	
	CB5 
(+) Vcc	2
GND	3
CANHigh	4
CANLow	5
CANGND shield	1

WDGA 58E CAN SAE J1939 galv. getrennt, mit M12x1, radial CC5, 5-polig

Description

CC5 radial, 5-pin, shield connected to encoder housing

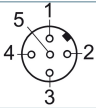
Assignments	
	CC5 
(+) Vcc	2
GND	3
CANHigh	4
CANLow	5
CANGND shield	1

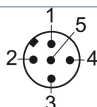
WDGA 58E CAN SAE J1939 galv. getrennt, mit 2x M12x1, axial DB5, 5-polig

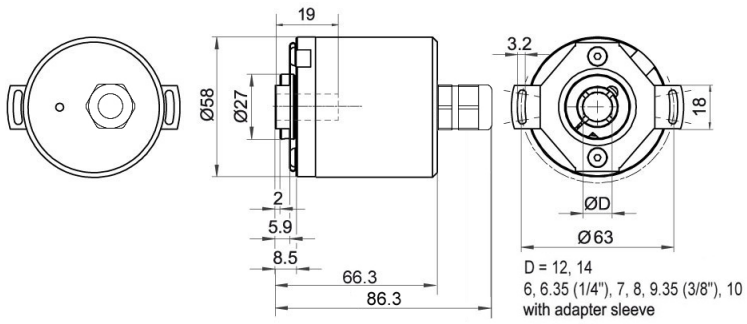


Description

DB5 axial, 5-pin, shield connected to encoder housing

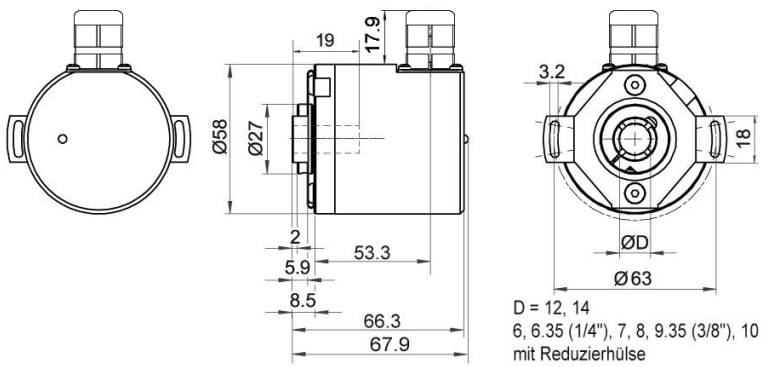
Assignments	
	DB5 
Female connector	M12x1, 5-pin
(+) Vcc	2
GND	3
CANHigh	4
CANLow	5
CANGND shield	1

Assignments	
	DB5 
Connector	M12x1, 5-pin
(+) Vcc	2
GND	3
CANHigh	4
CANLow	5
CANGND shield	1

WDGA 58E CAN SAE J1939, galv. isolation, cable connection, L2 axial with 2 m cable

Description

L2 axial, shield connected to encoder housing

Assignments	
	L2
(+) Vcc	BN
GND	WH
CANHigh	GN
CANLow	YE
CANGND shield	shield

WDGA 58E CAN SAE J1939, galv. getrennt, Kabel, L3 radial mit 2 m Kabel

Description

L3 radial, shield connected to encoder housing

Assignments	
	L3
(+) Vcc	BN
GND	WH
CANHigh	GN
CANLow	YE
CANGND shield	shield

Options

120 Ohm terminating resistor

Order key

The encoder WDGA 58E CAN SAE J1939 galv. is also available with fixed 120 Ohm terminating resistor.

AEO

Example Order No.	Type	Your encoder
WDGA 58E	WDGA 58E	WDGA 58E
	Shaft	Order key
12	Ø 6 mm with adapter sleeve	06
	Ø 6.35 mm Ø 1/4" with adapter sleeve	2Z
	Ø 7 mm with adapter sleeve	07
	Ø 8 mm with adapter sleeve	08
	Ø 9.525 mm Ø 3/8" with adapter sleeve	4Z
	Ø 10 mm with adapter sleeve	10
	Ø 12 mm	12
	Ø 14 mm	14
	Ø 15 mm	15
	Single-turn Resolution	Order key
12	Single-turn resolution 1 bit up to 16 bit: (e. G. 12 bit)	12
	Multi-turn Resolution	Order key
18	Multi-turn up to 32 bit (e. G. 18 bit) (Single-turn + Multi-turn max. 32 bit) No Multi-turn: 00	18
	Data protocol	Order key
CJ	CAN SAE J1939 (galv. isolation)	CJ
	Software	Order key
A	up to date release	A
	Code	Order key
B	binary	B
	Power supply	Order key
0	10 V up to 32 V (standard)	0
	Galvanic isolation	Order key
1	yes	1
	Electrical connections	Order key
CB5	Cable:	
	axial, shield connected to encoder housing, with 2 m cable, IP67	L2
	radial, shield connected to encoder housing, with 2 m cable, IP67	L3
	Connector:	
	sensor-connector, M12x1, 5-pin, axial, IP67, shield connected to encoder housing	CB5
	sensor-connector, M12x1, 5-pin, radial, IP67, shield connected to encoder housing	CC5
sensor-connector/female connector, 2x M12x1, 5-pin, axial, IP67, shield connected to encoder housing	DB5	
	Options	Order key
	Without option	Empty
	120 Ohm terminating resistor	AEO

Example Order No.	WDGA 58E	12	12	18	CJ	A	B	0	1	CB5	
--------------------------	----------	----	----	----	----	---	---	---	---	-----	--

WDGA 58E											Example Order No.
----------	--	--	--	--	--	--	--	--	--	--	--------------------------



For further information please contact our local distributor.
Here you find a list of our distributors worldwide.
<https://www.wachendorff-automation.com/>



Wachendorff Automation GmbH & Co. KG
Industriestrasse 7 • 65366 Geisenheim
Germany

Phone: +49 67 22 / 99 65 25
Fax: +49 67 22 / 99 65 70
E-Mail: wdg@wachendorff.de
www.wachendorff-automation.de

