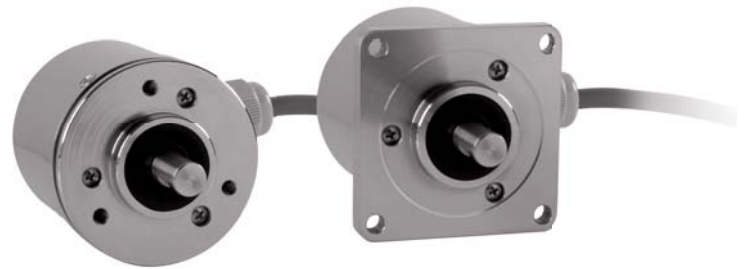


MAIN FEATURES

Thanks to the stainless steel enclosure, the encoder is suitable for food and beverage machinery, cranes and winches for ships, offshore applications, washing systems and all those environments where high corrosion resistance is required. EA 63 AX / DX is available with SSI output.

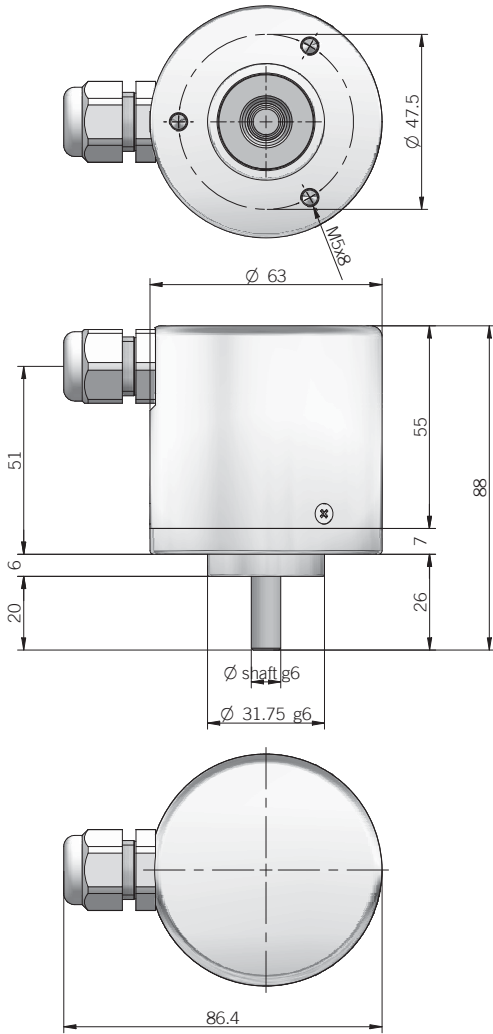
- Up to 13 bit
- Up to IP 66 sealing



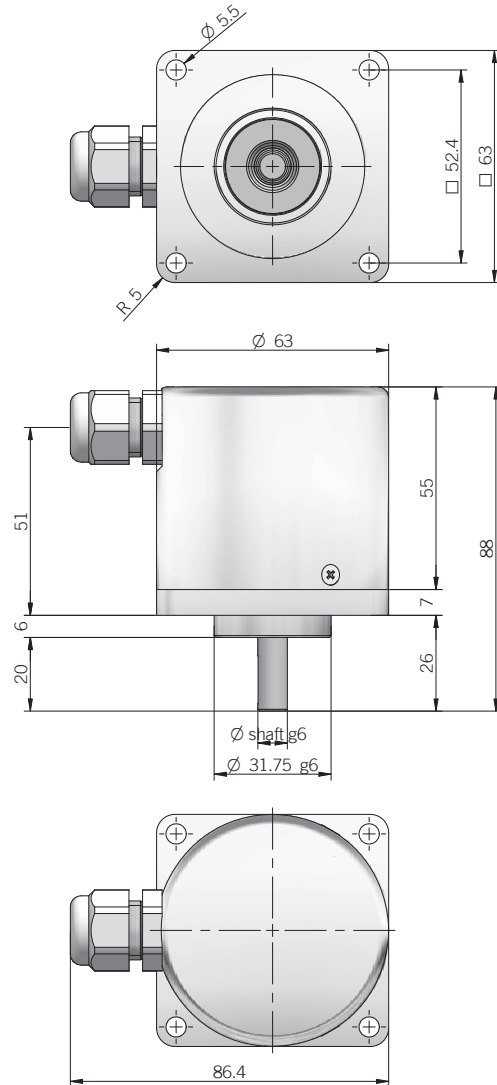
ORDERING CODE

EA	63	AX	1024	B	5	S	X	X	6	S	3	PCR	.XXX
SERIES singleturn absolute encoder EA	SIZE mm 63	TYPE stainless steel A model AX stainless steel D model DX	RESOLUTION (powers of 2) ppr from 2 to 8192 (multiples and submultiples of 360) ppr from 90 to 3600 (multiples and submultiples of 1000) ppr from 250 to 4000 <i>please directly contact our offices for pulses availability</i>	CODE binary B Gray G	POWER SUPPLY 5 V DC 5 8 ... 28 V DC 8/28	OUTPUT TYPE SSI S	VARIANT XXX custom version	OUTPUT TYPE PCR radial cable output with SKINTOP® (standard length 1.5 m) (12-core)	MAX ROTATION SPEED 3 3000 rpm	ENCLOSURE RATING S IP 66	SHAFT DIAMETER 6 mm 8 mm 9 mm (9.52 mm 3/8") 10 mm	OPTION X unused option ZE code reset	LOGIC X unused option

EA 63 AX



EA 63 DX



Electrical specifications

Resolution	up to 8192 ppr
Power supply	5 V DC 8 ... 28 V DC
Current consumption without load	200 mA max
Max load current	40 mA for channel
Electronic interface	SSI
Max output frequency	1 MHz
Monostable time (SSI)	10 ... 25 μ s
Electromagnetic compatibility	IEC 61000-6-2 IEC 61000-6-3

Output connections for SSI encoder

Function	12 wire cable colours
+ Vdc	red
0 Volt	black
U / D	red-blue
data +	green
data -	brown
clock +	yellow
clock -	orange
ZE	white

Mechanical specifications

Shaft diameter	6 / 8 / 9.52 / 10 mm
Enclosure rating	IP 66
Max rotation speed	3000 rpm
Shock	50 G, 11 ms (IEC 60068-2-27)
Vibrations	10 G, 10÷2000 Hz (IEC 60068-2-6)
Bearings	n° 2 ball bearings
Bearings life	10 ⁹ revolutions
Body material	stainless steel UNI X10CrNiS1809
Shaft material	stainless steel UNI X10CrNiS1809
Housing material	stainless steel UNI X10CrNiS1809
Operating temperature	0° ... +60 °C
Storage temperature	-15° ... +70 °C
Weight	650 g