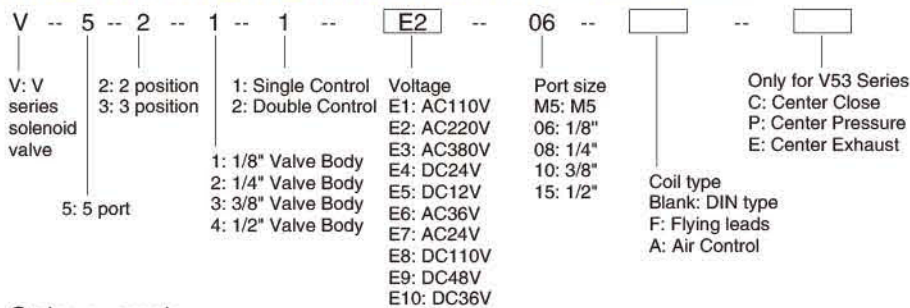


How to Order?



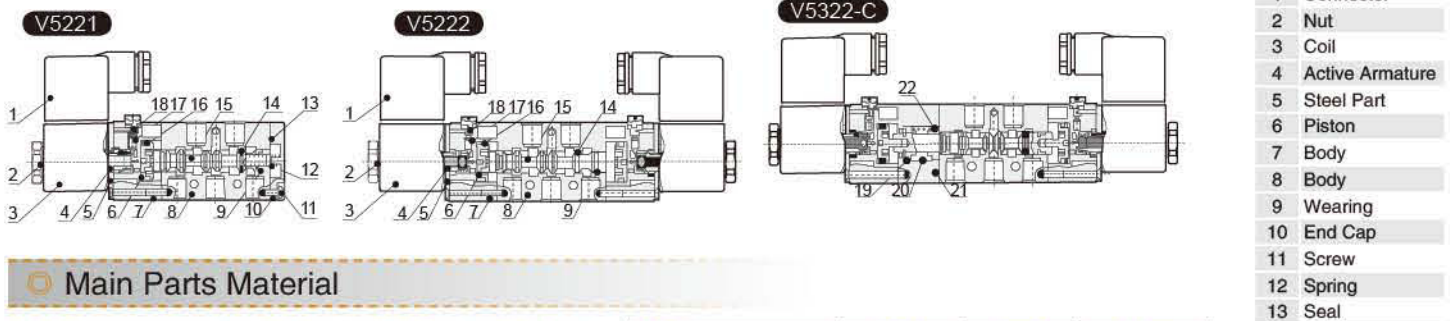
Order example:

- * V series, 5 port, 2 position, single control, 1/8" valve body, AC110V, 1/8" port size, DIN coil, Model: V5211E1-06
- * V series, 5 port, 2 position, double control, 1/8" valve body, AC220V, 1/8" port size, flying Leads coil, Model: V5212E2-06F
- * V series, 5 port, 3 position, double control, 1/8" valve body, DC24V, 1/8" port size, DIN coil, center close, Model: V5312E4-06C

Product Features

- * Stable life cycle, guaranteed 12,000,000 times
- * Various voltages and working styles are available
- * Different surface treatment, thread type(BSP, PT, NPT) are available
- * Working Pressure: 1.5-8Bar
- * Working Temperature: -5-60°C

Internal structure



| No | Designation |
|----|-----------------|
| 1 | Connector |
| 2 | Nut |
| 3 | Coil |
| 4 | Active Armature |
| 5 | Steel Part |
| 6 | Piston |
| 7 | Body |
| 8 | Body |
| 9 | Wearing |
| 10 | End Cap |
| 11 | Screw |
| 12 | Spring |
| 13 | Seal |
| 14 | O-Ring |
| 15 | Spool |
| 16 | O-Ring |
| 17 | Spring |
| 18 | Pin |
| 19 | Spring Seat |
| 20 | Spring |
| 21 | Side Cover |
| 22 | Spring Seat |

Main Parts Material

| Model | V5221 | V5222 | V5322 |
|-----------------------|-------|----------|-----------------|
| Body | | Aluminum | |
| Spool | | Aluminum | |
| Manual Pin O-Ring | | NBR | |
| Connector Washer | | NBR | |
| O-Ring | | NBR | |
| End Cover Seal | NBR | - | |
| Guider O-Ring | | NBR | |
| Connector | | Plastic | |
| End Cover | - | | Brass |
| Side Cover | - | | Aluminum |
| End Cover Spring | - | | Stainless Steel |
| End Cover Spring Seat | - | | Brass |

| Model | V5221 | V5222 | V5322 |
|-------------------|------------|--------------------------|-------|
| Steel Part | | Steel | |
| Nut | | Middle Steel | |
| Manual Pin | | Brass | |
| End Cap | Zinc Alloy | - | |
| Manual Pin Spring | | Stainless Steel | |
| Spool Spring | | Stainless Steel | |
| Guide Seat | | PBT+PBT+Fiber Glass | |
| Screw | | Steel | |
| Coil Cover | | Heat Resistance Colophon | |
| Seat | | Aluminum | |
| Piston | | POM | |
| Active Armature | | Pure Iron | |

5 Port 2/3 Position Valve

| | | |
|--|---|---|
|  <p>Model: V5211-M5 V5211-06</p> |  <p>Model: V5221-06 V5221-08 V5231-08 V5231-10</p> |  <p>Model: V5241-10 V5241-15</p> |
|  <p>Model: V5212-M5 V5212-06</p> |  <p>Model: V5222-06 V5222-08 V5232-08 V5232-10</p> |  <p>Model: V5242-10 V5242-15</p> |
|  <p>Model: V5211-M5A V5211-06A V5221-06A V5221-08A V5231-08A V5231-10A</p> |  <p>Model: V5241-10A V5241-15A</p> |  <p>Model: V5212-M5A V5212-06A V5222-06A V5222-08A V5232-08A V5232-10A</p> |
|  <p>Model: V5242-10A V5242-15A</p> |  <p>Model: V5312-M5AC V5312-06AC V5312-M5AP V5312-06AP V5312-M5AE V5312-06AE</p> | |