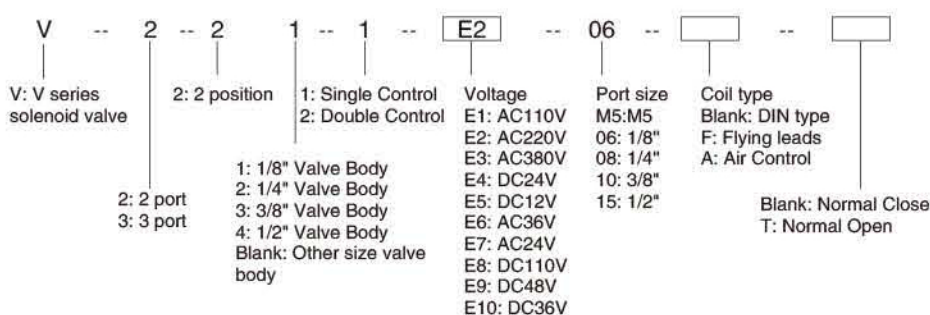


How to Order?



Product Features

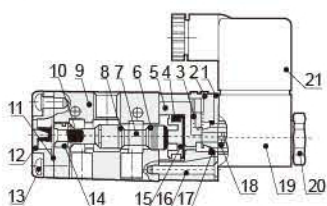
- * Stable life cycle, guaranteed 12,000,000 times
- * Various voltages and working styles are available
- * Different surface treatment, thread type(BSP, PT, NPT) are available
- * Working Pressure: 1.5-8Bar
- * Working Temperature: -5~60°C

Order example:

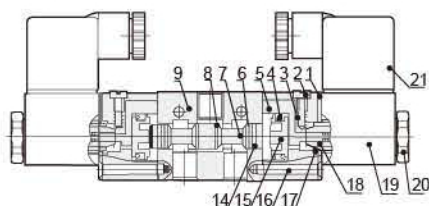
- * V series, 2 port, 2 position, other size valve body, single Control, AC110V, 1/8" port size, DIN coil, Model: V221E1-06
- * V series, 3 port, 2 position, other size valve body, single Control, AC110V, 1/8" port size, flying leads coil, Model: V321E1-06

Internal structure

V3221



V3222



No	Designation	No	Designation
1	Washer	12	End Cap
2	Pin	13	Screw
3	Spring	14	Wearing
4	O-Ring	15	Piston
5	Body	16	Screw
6	O-Ring	17	O-Ring
7	Spool	18	Active Armature
8	O-Ring	19	Coil
9	Body	20	Nut
10	Spring	21	Connector
11	Seal		

Main Parts Material

Model	V3221	V3222
Body	Aluminum	Aluminum
Spool	Aluminum	Aluminum
O-Ring	NBR	NBR
Washer	NBR	NBR
Spool O-Ring	HNBR	HNBR
Washer	NBR	-
O-Ring	NBR	NBR
Body	PBT+PBT+Fiber Glass	PBT+PBT+Fiber Glass
Piston	POM	POM
Manual Pin	Brass	Brass
Fixed Steel	Steel (With Nickle-Plated)	Steel (With Nickle-Plated)
Nut	Middle Carbon Steel	Middle Carbon Steel

Model	V3221	V3222
End Cover	Zinc Alloy	-
Manual Pin Spring	Stainless Steel	Stainless Steel
Spool Spring	Stainless Steel	Stainless Steel
Nut	Steel	Steel
Cover of Armature	Copper	Copper
Active Armature	Pure Steel	Pure Steel
Copper Cover	Bronze	Bronze
Connector	Colophon	Colophon

2/3 Port 2 Position Valve



Model:
V321-M5
V321-06



Model:
V3211-M5
V3211-06



Model:
V3221-06
V3221-08
V3231-08
V3231-10



Model:
V3241-10
V3241-15



Model:
V3212-M5
V3212-06



Model:
V3222-06
V3222-08
V3232-08
V3232-10



Model:
V3242-10
V3242-15



Model:
V3211-M5T
V3211-06T



Model:
V3221-06T
V3221-08T
V3231-08T
V3231-10T



Model:
V3241-10T
V3241-15T



Model:
V3211-M5A
V3211-06A
V3221-06A
V3221-08A
V3231-08A
V3231-10A



Model:
V3241-10A
V3241-15A



Model:
V3212-M5A
V3212-06A
V3222-06A
V3222-08A
V3232-08A
V3232-10A



Model:
V3241-10A
V3242-15A



Manifold
V32-NF
(N=1,2,3.....14)

