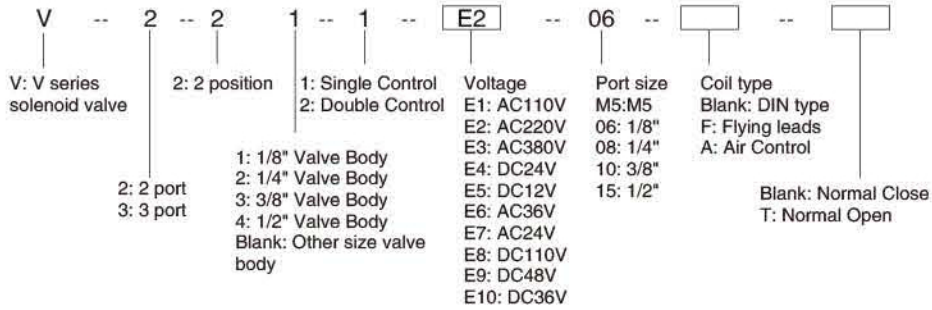


## How to Order?



## Product Features

- \* Stable life cycle, guaranteed 12,000,000 times
- \* Various voltages and working styles are available
- \* Different surface treatment, thread type(BSP, PT, NPT) are available
- \* Working Pressure: 1.5–8Bar
- \* Working Temperature: –5~60°C

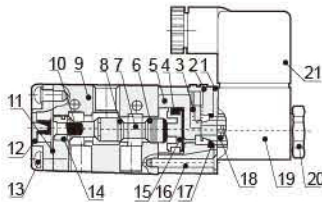
### Order example:

\* V series, 2 port, 2 position, other size valve body, single Control, AC110V, 1/8" port size, DIN coil, Model: V221E1-06

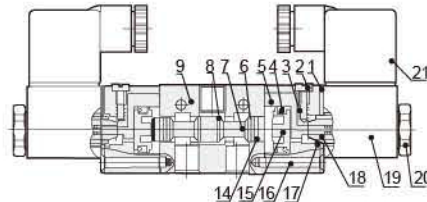
\* V series, 3 port, 2 position, other size valve body, single Control, AC110V, 1/8" port size, flying leads coil, Model: V321E1-06

## Internal structure

V3221



V3222



No	Designation	No	Designation
1	Washer	12	End Cap
2	Pin	13	Screw
3	Spring	14	Wearing
4	O-Ring	15	Piston
5	Body	16	Screw
6	O-Ring	17	O-Ring
7	Spool	18	Active Armature
8	O-Ring	19	Coil
9	Body	20	Nut
10	Spring	21	Connector
11	Seal		

## Main Parts Material

Model	V3221	V3222
Body		Aluminum
Spool		Aluminum
O-Ring		NBR
Washer		NBR
Spool O-Ring		HNBR
Washer	NBR	-
O-Ring		NBR
Body		PBT+PBT+Fiber Glass
Piston		POM
Manual Pin		Brass
Fixed Steel		Steel (With Nickle-Plated)
Nut		Middle Carbon Steel

Model	V3221	V3222
End Cover	Zinc Alloy	-
Manual Pin Spring		Stainless Steel
Spool Spring		Stainless Steel
Nut		Steel
Cover of Armature		Copper
Active Armature		Pure Steel
Copper Cover		Bronze
Connector		Colophong

## 2/3 Port 2 Position Valve



Model:

V221-06  
V221-08



Model:

VP221-06