

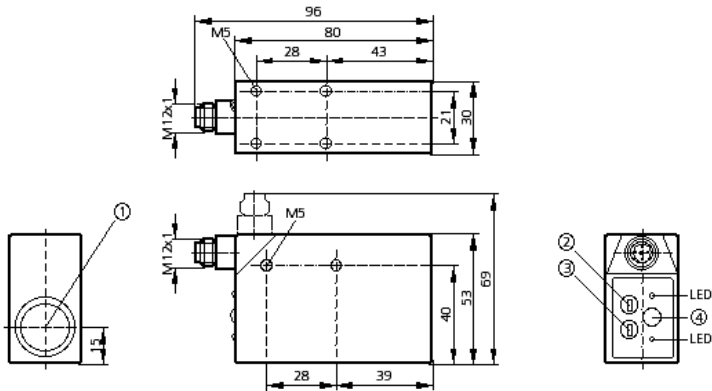
OD5007

ODC-MPKG/US
Rectangular Metal
Plug and socket

Colour detection diffuse and retro
Teach-in method, 1 colour
programmable, color resolution to
be set

Sensing range 250 ... 1000mm
(in retro-reflective mode)

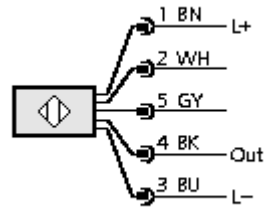
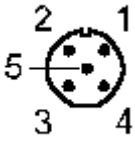
Range 60mm
(± 9, in diffuse reflection mode)



CE

1: lens, 2: selection switch color tolerance, 3: programming selector switch,
4: teach button

Electrical design	DC PNP
Range referred to prismatic reflector [m]	80 x 80 mm 0.25...1 31 x 46 mm 0.2...0.75
Light spot diameter [mm]	Ø 13 (TW = 60 mm)
Operating voltage [V]	12...30 DC
Current rating [mA]	100
Voltage drop [V]	2
Current consumption [mA]	80
Switching frequency [Hz]	1000
Response time [ms]	0.7
Type of light	transmitter red, green and blue light
Residual ripple [Vss]	< 5
Immunity to extraneous light	20 klx
Type of operation	to be selected: permanent or synchronised (deactivated) 20 ms switch-off delay
Input external teach ET	reference colour is programmed via input wire ET activate Teach-in : 12...30 V RUN mode: 0...2 V pulse duration: > 0.5 ms
Input AT activation trigger	sensor deactivated: 12...30 V sensor activated: 0...2 V response time: < 0.2 ms
Life expectancy typ. [h]	100000 (25 °C)
Operating temperature [°C]	-10...55
Protection	IP 67 ☐
EMC	EN 60947-5-2
Housing material	diecast zinc
Material lens	glass
Function display	
Operation LED	green
Function LED	yellow
Connection	M12 connector



2: Input AT activation trigger
5: input "External Teach"